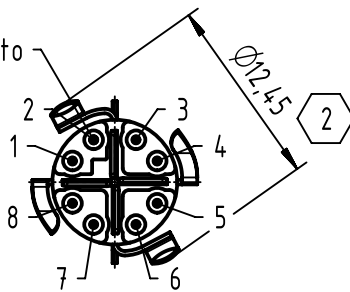
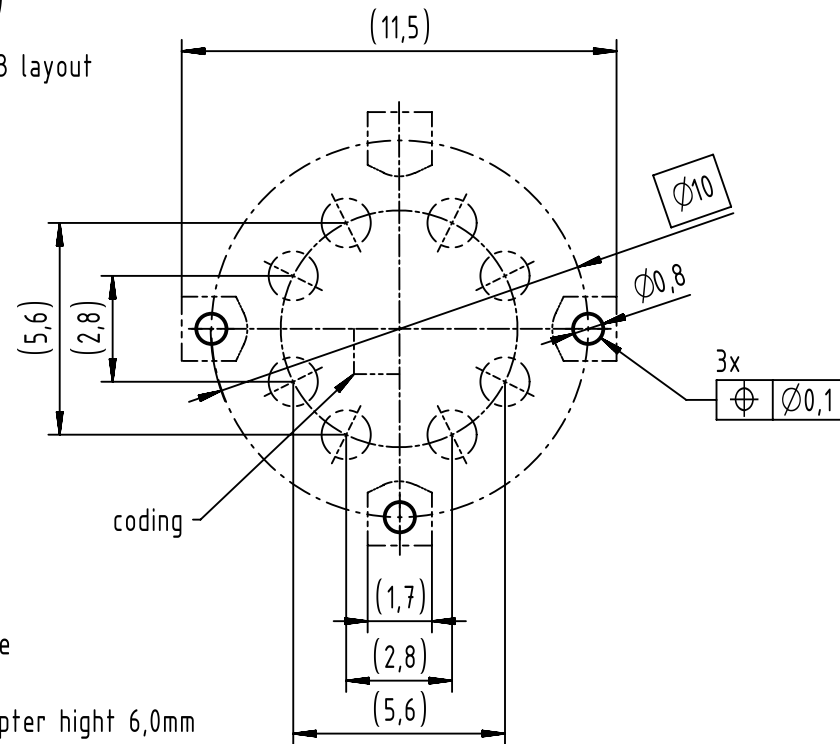


contact face acc. to
IEC 61076-2-109



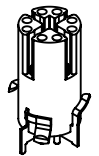
A (5:1)
recommended PCB layout



- 1 pcs. single package

1 recommended adapter height 6,0mm

2 recommended housing diameter Ø11,4mm



	All rights reserved Department EC PD - DE	All Dimensions in mm Original Size DIN A4		Scale 2:1	Free size tol.		Ref.	
		HARTING Electronics GmbH D-32339 Espelkamp	Created by HELLMANN	Inspected by EISFELD	Standardisation KOHLER	Date 2016-05-17	State Final Release	Sub.
		Title HARTING M12 PCB recpt str 8-pole X-cod female shielded					Doc-Key / ECM-Nr. 100671216/UGD/000/A 500000104428	
		Type TB	Number 21033812820			Rev. A	Page 1/1	