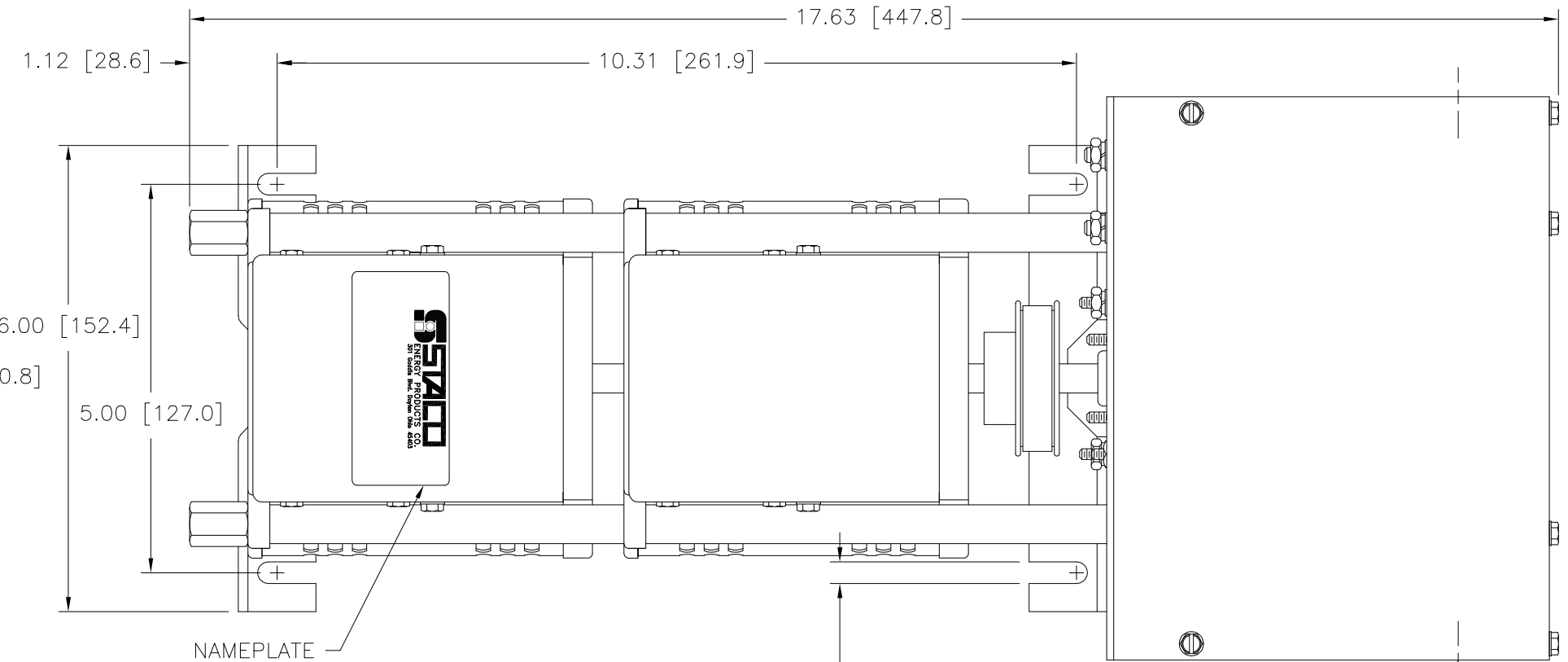


(4) STANDOFFS TAPPED
 1/4-28 X .38 [9.5] DEEP
 FOR MOUNTING BOLTS

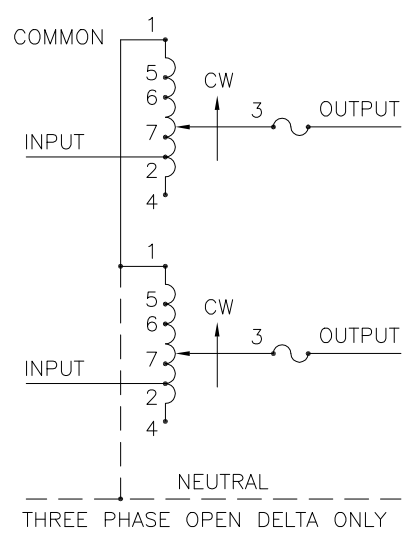


NAMEPLATE

.88 [22.2] DIA. KNOCKOUT
 (4) PLACES FOR
 WIRING CONNECTIONS

.28 [7.1]
 (4) PLACES FOR
 CUSTOMER MOUNTING

.88 [22.2] DIA. KNOCKOUT
 (4) PLACES FOR
 MOTOR CONNECTIONS



SCHEMATIC
 THREE PHASE OPEN DELTA AND SINGLE
 PHASE SERIES. FUSE RECOMMENDED BUT
 NOT SUPPLIED.

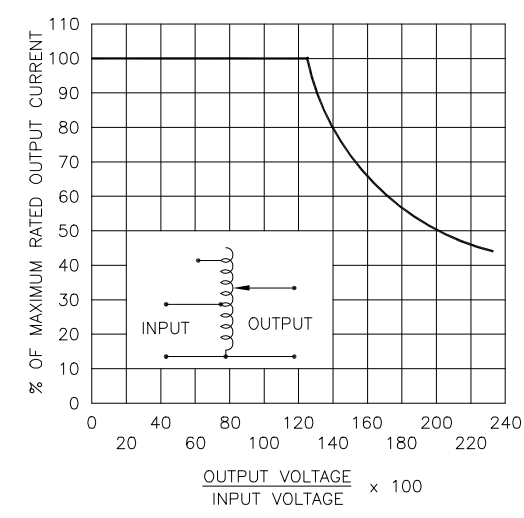
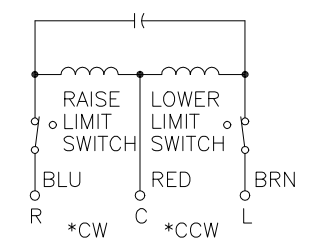


FIGURE A
 MAXIMUM OUTPUT CURRENT OF ANY
 DUAL INPUT VOLTAGE OR VOLTAGE DOUBLER
 UNIT OPERATED AT LOWER INPUT VOLTAGE.



MOTOR CIRCUIT
 120V, 50/60 HZ
 * ROTATION AS VIEWED
 FROM MOTOR END
 MOTOR SPEED: SEE CHART

- # MAXIMUM OUTPUT CURRENT IN OUTPUT VOLTAGE RANGE FROM 0 TO 25% ABOVE LINE VOLTAGE. AT HIGHER OUTPUT VOLTAGES, THE OUTPUT CURRENT MUST BE REDUCED ACCORDING TO THE DERATING CURVE FIGURE A.
- S MAXIMUM KVA AT MAXIMUM OUTPUT VOLTAGE AND CORRESPONDING DERATED OUTPUT CURRENT. MAXIMUM KVA FOR LOWER VOLTAGES MAY BE CALCULATED FROM DERATING CURVE FIGURE A.
- ∏ IF GANGED UNITS ARE USED IN A SYSTEM THAT ORDINARILY HAS A COMMON NEUTRAL OR GROUND BETWEEN SOURCE AND LOAD, THE NEUTRAL OR GROUND MUST BE CONNECTED TO THE COMMON TERMINALS OF THE VARIABLE TRANSFORMER ASSEMBLY. IF THE SYSTEM HAS NO NEUTRAL, THE LOAD MUST BE BALANCED OR THE TRANSFORMER WILL BE DAMAGED.
- JUMPER PROVIDED IN STANDARD COMMON POSITION AND SHOULD BE MOVED OR REMOVED AS REQUIRED.
- ++ LINE TO LINE VOLTAGE.
- + MOTOR DRIVEN UNITS USE TERMINAL CONNECTIONS FOR CCW INCREASING VOLTAGE AS VIEWED FROM BASE END.

SPEED (SECONDS)	MODEL NUMBER
5	5M1020BCT-2
15	15M1020BCT-2
30	30M1020BCT-2
60	60M1020BCT-2

SPECIFICATIONS											
WIRING	INPUT		VOLTS	OUTPUT		SHAFT ROTATION TO INCREASE VOLTAGE	TERMINAL CONNECTIONS				
	VOLTS	HERTZ		CONSTANT CURRENT LOAD	CONSTANT IMPEDANCE LOAD		FOR INCREASING VOLTAGE AS VIEWED FROM BASE END +				
				MAX. AMPS	MAX. KVA	MAX. AMPS	MAX. KVA	INPUT	JUMPER	OUTPUT	
SINGLE PHASE SERIES	480	50/60	0-480	3.5	1.68	5.0	2.4	CW	1-1	4-4	3-3
			0-560	3.5	1.96	—	—	CCW	4-4	1-1	3-3
	240	50/60	0-560	3.5#	0.84	—	—	CW	5-5	4-4	3-3
			0-280	3.5	1.70	—	—	CCW	2-2	1-1	3-3
THREE PHASE OPEN DELTA ∏	240	50/60	0-240	3.5	1.45	5.0	2.08	CW	6-6	1-1	3-3
			0-280	3.5	1.70	—	—	CCW	1-4-1	4-4	3-4-3
	120	50/60	0-280	3.5#	0.73	—	—	CW	4-1-4	1-1	3-1-3
			0-280	3.5	1.70	—	—	CCW	5-4-5	4-4	3-4-3
	++	50/60	0-280	3.5#	0.73	—	—	CW	2-1-2	1-1	3-1-3
			0-280	3.5#	0.73	—	—	CCW	7-4-7	4-4	3-4-3
								CCW	6-1-6	1-1	3-1-3

UNLESS OTHERWISE SPECIFIED, TOLERANCE IS # DECIMALS .XX .005 .002 .001 .0005
 HOLES ANGLES DRAFT 1° 1-1/2°
 UNITS IN [mm]
 MATERIAL: ALL DIMENSIONS APPLY AFTER PLATING
 TITLE: SPEC. CONTROL DRAWING
 MOTORIZED VARIABLE XFMR
 MODEL: M1020BCT-2
 STACO ENERGY PRODUCTS CO. A COMPONENTS CORPORATION OF AMERICA COMPANY DAYTON, OHIO U.S.A.
 DRAWN BY S.A. SMITH DATE 9/24/97 FIRST USED ON DO NOT SCALE DWG. CUSTOMER APPROVAL DATE
 CHECKER DATE WEIGHT APPROX. 30.75 LBS CODE IDENT. NO. 83008 DWG. NO. 031-2540
 ENGINEER DATE SCALE 1=1 SHEET 1 OF 1