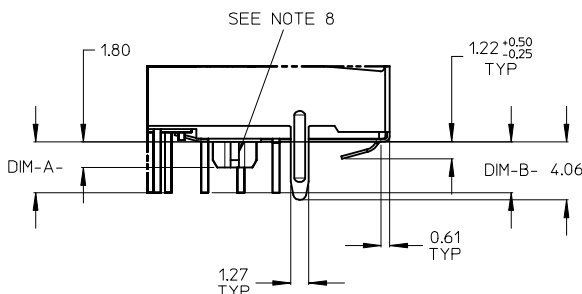
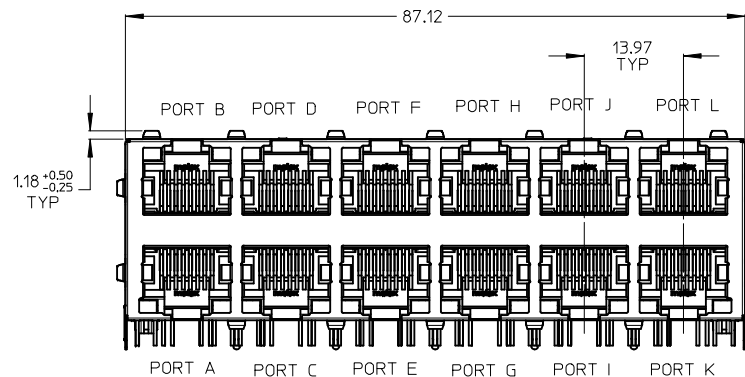
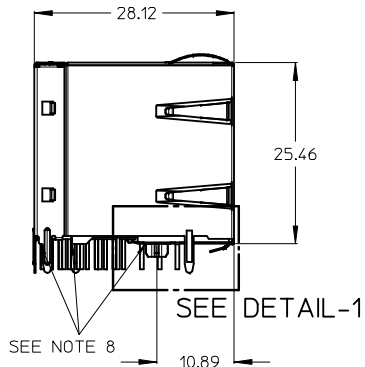
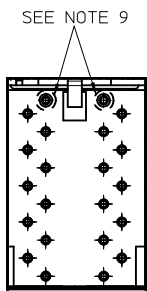


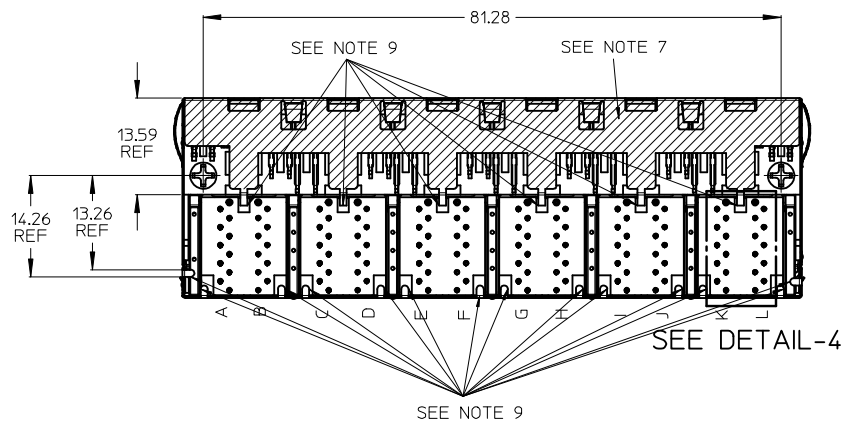
GIGABIT MAGNETIC JACK 2x6 LED



DETAIL-1
SCALE 4:1



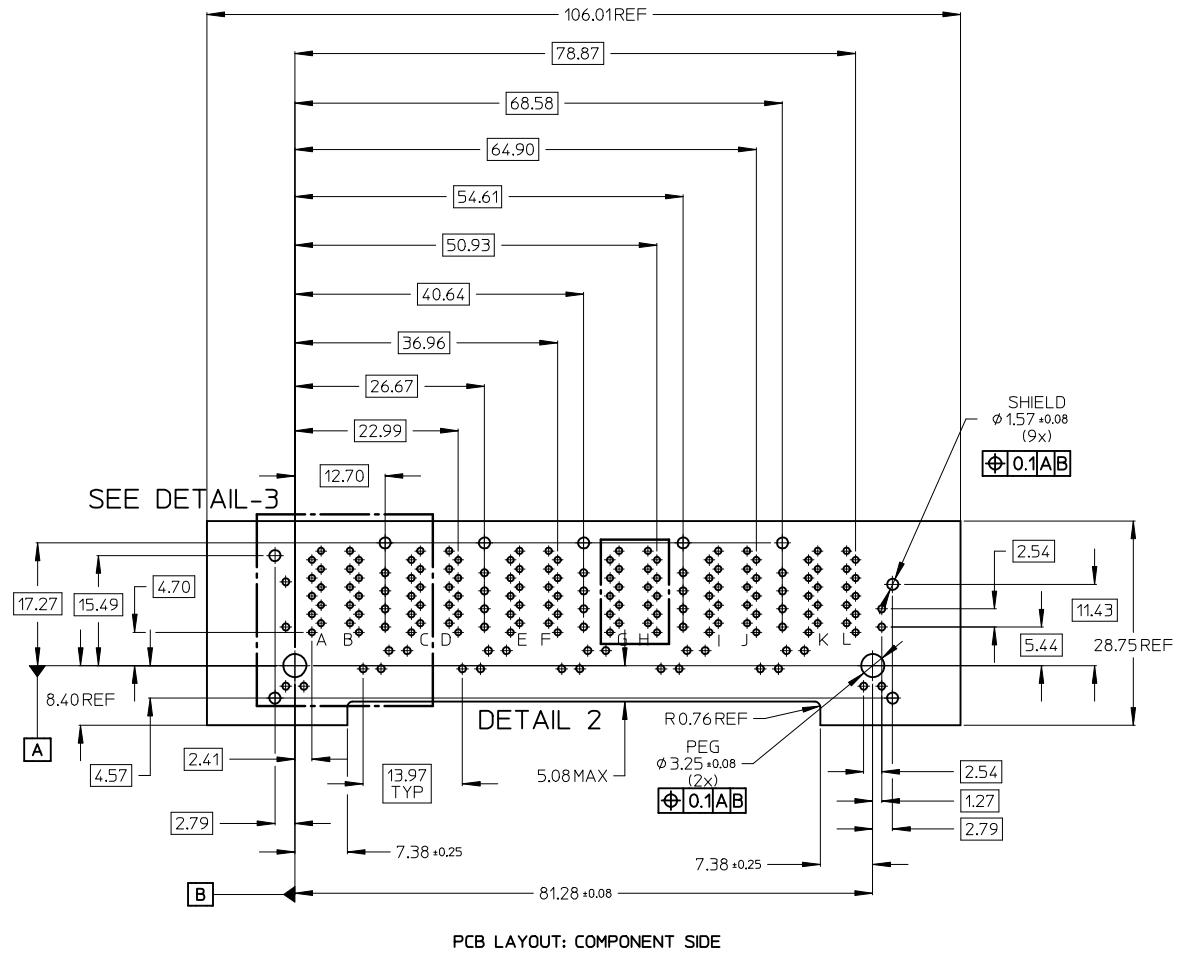
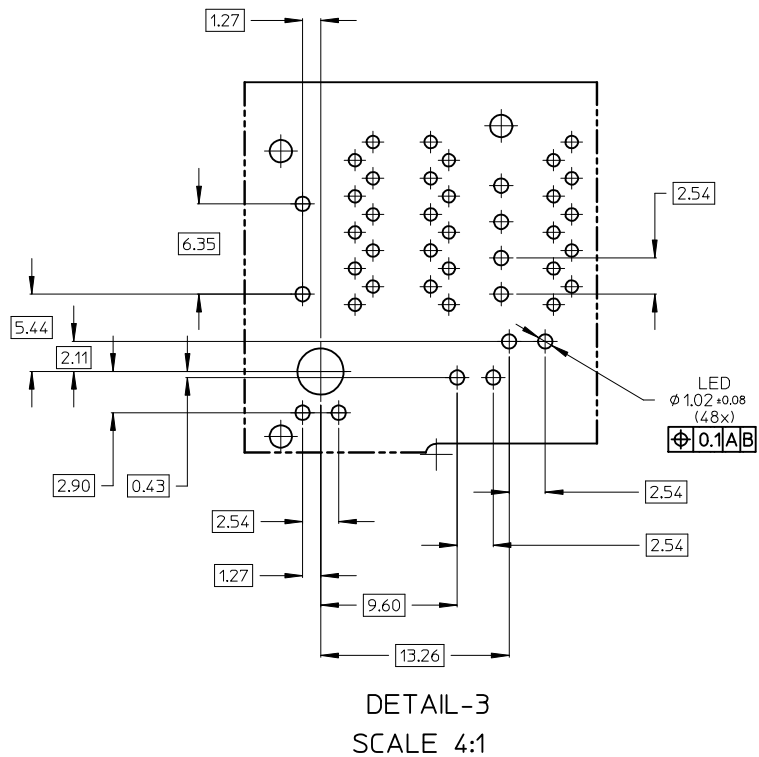
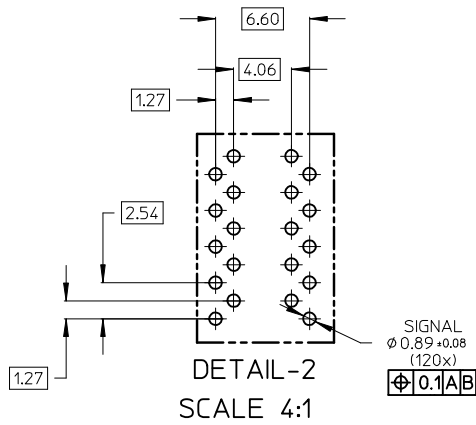
DETAIL-4
SCALE 4:1



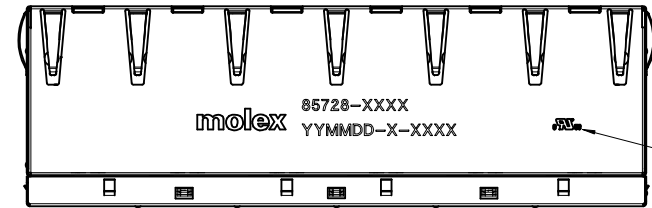
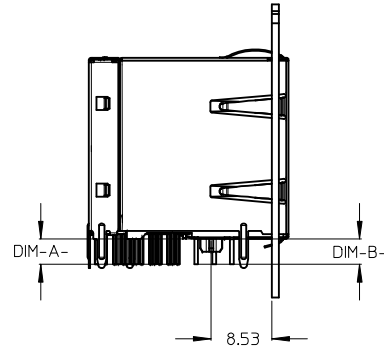
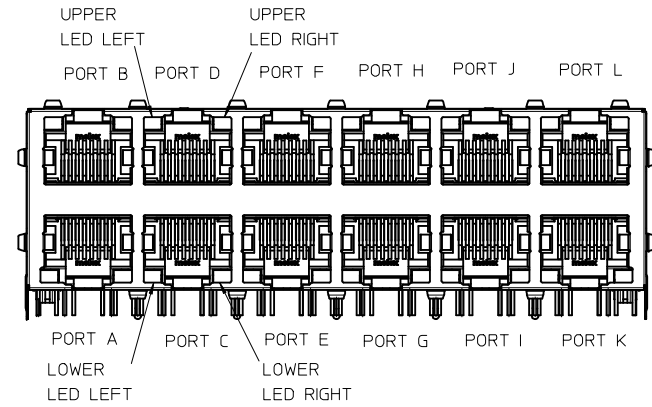
NOTES:

- 1 - SHIELD MATERIAL: BRASS; PLATING: NICKEL PRE-PLATING
- 2 - PLASTIC MATERIAL: POLYESTER (PBT), BLACK, UL 94V-0
- 3 - RJ45 TERMINALS MATERIAL: COPPER ALLOY
CONTACT AREA PLATING: 0.76 MICROMETER GOLD OVER 1.9 MICROMETER NICKEL
PHY TERMINALS: TIN PLATED
- 4 - MATING INTERFACE ACCORDING TO IEC 60603-7
- 5 - PRODUCT SPECIFICATION: PS-85728-001
- 6 - PACKAGING SPECIFICATION: PK-85728-001
- 7 - TRACES WITHOUT INSULATION NOT ALLOWED IN THE DASHED AREAS.
(TO AVOID SHORTS TO SHIELD)
- 8 - STAND OFF TO SYSTEM BOARD
- 9 - STUB PINS AND SHIELD LATCHES; AVOID TO ROUTE TRACES OR TO PLACE ANY
VIAS OR PADS BELOW THESE PINS
- 10 - FOR MAGNETIC AND LED INFORMATI SEE SPEC PS-85728-001

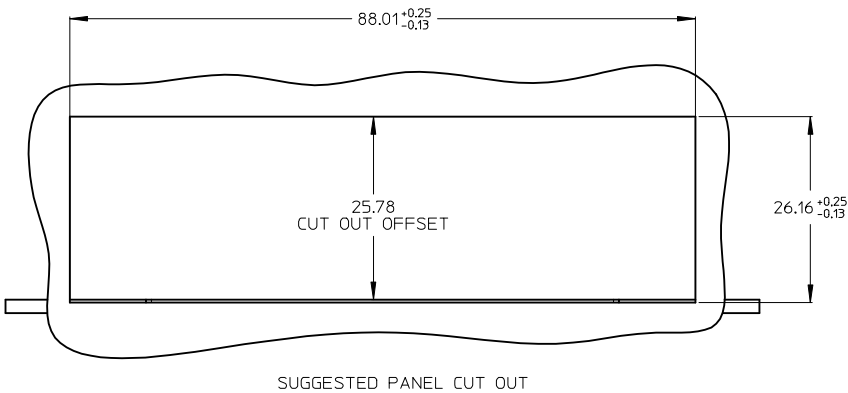
NO CHANGE IEC NO: 2015/10/05 DRWN: JBADER 2015/10/05 CHKD: MMANGARUDOV 2015/10/05 APPR: SSTE INKE 2016/04/21	QUALITY SYMBOLS	GENERAL TOLERANCES (UNLESS SPECIFIED)	DIMENSION STYLE MM ONLY	SCALE 2:1	DESIGN UNITS METRIC	THIRD ANGLE PROJECTION																		
	$\nabla=0$ $\nabla=0$	<table border="1"> <thead> <tr> <th></th> <th>mm</th> <th>INCH</th> </tr> </thead> <tbody> <tr> <td>4 PLACES</td> <td>± ---</td> <td>± ---</td> </tr> <tr> <td>3 PLACES</td> <td>± ---</td> <td>± ---</td> </tr> <tr> <td>2 PLACES</td> <td>± 0.25</td> <td>± ---</td> </tr> <tr> <td>1 PLACE</td> <td>± 0.5</td> <td>± ---</td> </tr> <tr> <td colspan="3">ANGULAR ± 1°</td> </tr> </tbody> </table>		mm	INCH	4 PLACES	± ---	± ---	3 PLACES	± ---	± ---	2 PLACES	± 0.25	± ---	1 PLACE	± 0.5	± ---	ANGULAR ± 1°			DRAWN BY: MMANGARUDOV 2010/03/19 CHECKED BY: JBADER 2010/03/22 APPROVED BY: SSTE INKE 2010/05/11 MATERIAL NO.	TITLE	GIGABIT MAGNETIC JACK 2X6 LED	
		mm	INCH																					
	4 PLACES	± ---	± ---																					
3 PLACES	± ---	± ---																						
2 PLACES	± 0.25	± ---																						
1 PLACE	± 0.5	± ---																						
ANGULAR ± 1°																								
DRAFT WHERE APPLICABLE MUST REMAIN WITHIN DIMENSIONS	SEE SHEET 3	MOLEX INCORPORATED		DOCUMENT NO. SD-85728-001	SHEET NO. 1 OF 4																			
	SIZE A2	THIS DRAWING CONTAINS INFORMATION THAT IS PROPRIETARY TO MOLEX INCORPORATED AND SHOULD NOT BE USED WITHOUT WRITTEN PERMISSION																						



NO CHANGE	EC NO:	2015/10/05	QUALITY SYMBOLS ▽=0 ▽=0	GENERAL TOLERANCES (UNLESS SPECIFIED)		DIMENSION STYLE MM ONLY		SCALE 2:1	DESIGN UNITS METRIC	THIRD ANGLE PROJECTION
	DRWN:	JBADER		mm	INCH	DRAWN BY	DATE	TITLE	GIGABIT MAGNETIC JACK 2X6 LED	
	CHKD:	MMANGARUDOV		± ---	± ---	MMANGARUDOV	2010/03/19			
	APPR:	SSTE INKE		± 0.25	± ---	CHECKED BY	DATE			
REV	DESCRIPTION	± 0.5	± ---	APPROVED BY	DATE	MATERIAL NO.		DOCUMENT NO.		
		ANGULAR	± 1 °	DRAFT WHERE APPLICABLE MUST REMAIN WITHIN DIMENSIONS		SEE SHEET 3		SD-85728-001		SHEET NO. 2 OF 4
					SIZE A2		THIS DRAWING CONTAINS INFORMATION THAT IS PROPRIETARY TO MOLEX INCORPORATED AND SHOULD NOT BE USED WITHOUT WRITTEN PERMISSION			



SEE NOTE 3



PART NUMBER	UPPER & LOWER LED LEFT		UPPER & LOWER LED RIGHT		DIMENSION -A- FOR SIGNAL PIN LENGTH	DIMENSION -B- FOR LED PIN LENGTH
85728-1001	COLOUR 1	GREEN	COLOUR 1	GREEN	3,56	3,56
85728-1002	COLOUR 1	GREEN	COLOUR 1	GREEN	3,56	3,56
	COLOUR 2	ORANGE				
85728-1003	COLOUR 1	GREEN	COLOUR 1	YELLOW	3,56	3,56
85728-1004	COLOUR 1	GREEN	COLOUR 1	GREEN	3,56	3,56
	COLOUR 2	ORANGE	COLOUR 2	ORANGE		
85728-1006	COLOUR 1	GREEN	COLOUR 1	ORANGE	3,56	3,56
85728-1008	COLOUR 1	GREEN	COLOUR 1	GREEN	3,56	3,56
	COLOUR 2	YELLOW	COLOUR 2	YELLOW		
85728-1012	COLOUR 1	YELLOW	COLOUR 1	YELLOW	3,56	3,56
	COLOUR 2	GREEN	COLOUR 2	GREEN		
85728-1013	COLOUR 1	YELLOW	COLOUR 1	GREEN	3,56	3,56
	COLOUR 2	GREEN				
85728-1014	COLOUR 1	YELLOW	COLOUR 1	GREEN	3,56	3,56
85728-1016	COLOUR 1	GREEN	COLOUR 1	GREEN	3,56	3,56
			COLOUR 2	YELLOW		

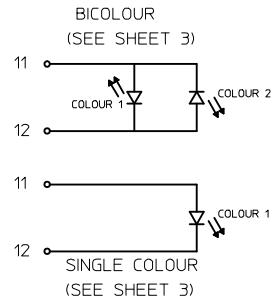
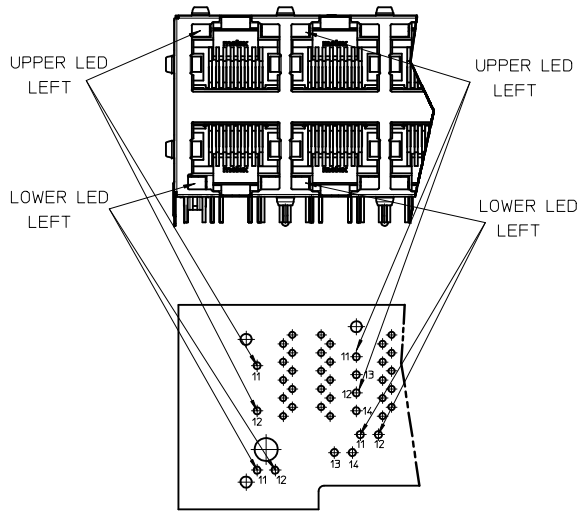
85728-3001	COLOUR 1	GREEN	COLOUR 1	GREEN	2,2	3,56
------------	----------	-------	----------	-------	-----	------

85728-4001	COLOUR 1	GREEN	COLOUR 1	GREEN	2,5	3,56
------------	----------	-------	----------	-------	-----	------

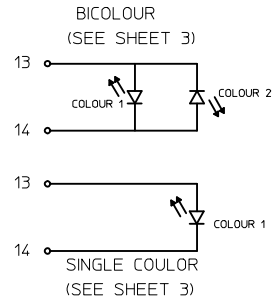
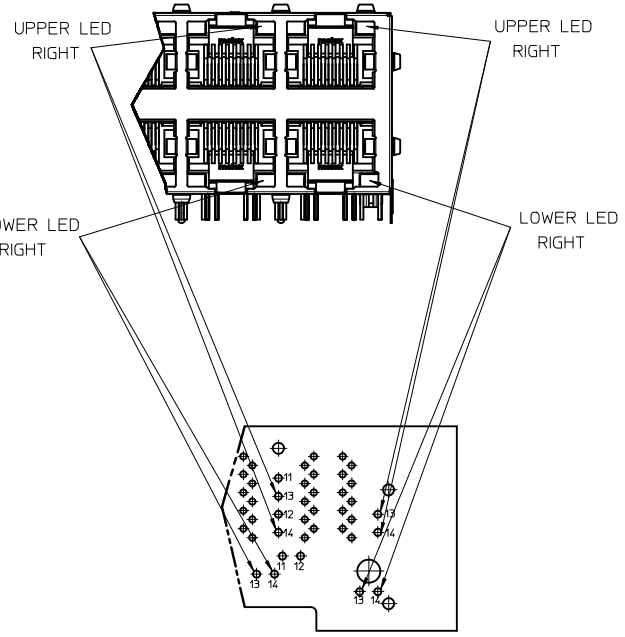
ADDITIONAL LED COLOURS AND CONFIGURATIONS
AVAILABLE ON REQUEST

- NOTES:
 1 - PRINTING MARKED BY LASER
 2 - INSCRIPTION:
 1st LINE: PART NUMBER
 2nd LINE: DATE CODE (YEAR,MONTH,DAY) - MANUFACTURER ID - COSECUTIVE NUMBER
 3 - UL LOGO

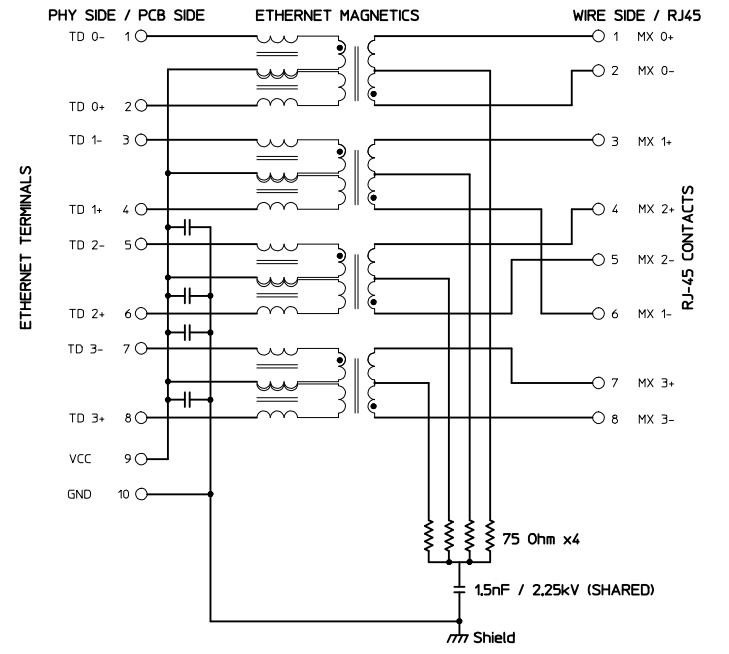
NEW P/N 85728-4001 EC NO: DRWN: JBADER 2015/10/05 CHKD: MMANGARUDOV 2015/10/05 APPR: SSTE INKE 2016/04/21	QUALITY SYMBOLS	GENERAL TOLERANCES (UNLESS SPECIFIED)	DIMENSION STYLE	SCALE	DESIGN UNITS	THIRD ANGLE PROJECTION
	▽=0	mm INCH	MM ONLY	2:1	METRIC	
	▽=0	4 PLACES ± --- ± ---	DRAWN BY DATE	TITLE		
		3 PLACES ± --- ± ---	MMANGARUDOV 2010/03/19	GIGABIT MAGNETIC JACK 2X6 LED		
	2 PLACES ± 0.25 ± ---	CHECKED BY DATE	MOLEX MOLEX INCORPORATED			
	1 PLACE ± 0.5 ± ---	JBADER 2010/03/22	SD-85728-001			
	ANGULAR ± 1°	APPROVED BY DATE	SHEET NO. 3 OF 4			
		SSTE INKE 2010/05/11	DOCUMENT NO.			
	DRAFT WHERE APPLICABLE MUST REMAIN WITHIN DIMENSIONS	MATERIAL NO.	THIS DRAWING CONTAINS INFORMATION THAT IS PROPRIETARY TO MOLEX INCORPORATED AND SHOULD NOT BE USED WITHOUT WRITTEN PERMISSION			



UPPER & LOWER LEFT LED		
PIN POSITION	COLOUR 1	COLOUR 2
11	+	-
12	-	+



UPPER & LOWER RIGHT LED		
PIN POSITION	COLOUR 1	COLOUR 2
13	+	-
14	-	+



PIN#	ETHERNET SIGNAL
1	TD 0+
2	TD 0-
3	TD 1+
4	TD 1-
5	TD 2+
6	TD 2-
7	TD 3+
8	TD 3-
9	Vcc
10	GND

SCHEMATIC UPDATED EC NO: 2015/10/05 DRWN: JBADER CHKD: MMANGARDOV 2015/10/05 APPR: SSTE INKE 2016/04/21	QUALITY SYMBOLS ▽=0 ▽=0	GENERAL TOLERANCES (UNLESS SPECIFIED)		DIMENSION STYLE MM ONLY		SCALE 2:1	DESIGN UNITS METRIC	THIRD ANGLE PROJECTION			
		4 PLACES ± --- ± --- 3 PLACES ± --- ± --- 2 PLACES ± 0.25 ± --- 1 PLACE ± 0.5 ± --- ANGULAR ± 1°	mm INCH	DRAWN BY MMANGARDOV	DATE 2010/03/19	TITLE GIGABIT MAGNETIC JACK 2X6 LED		MOLEX INCORPORATED			
SSTE INKE	DESCRIPTION REV	DRAFT WHERE APPLICABLE MUST REMAIN WITHIN DIMENSIONS		MATERIAL NO. SEE SHEET 3		APPROVED BY SSTE INKE		DATE 2010/05/11		DOCUMENT NO. SD-85728-001	SHEET NO. 4 OF 4
		SIZE A2		THIS DRAWING CONTAINS INFORMATION THAT IS PROPRIETARY TO MOLEX INCORPORATED AND SHOULD NOT BE USED WITHOUT WRITTEN PERMISSION							