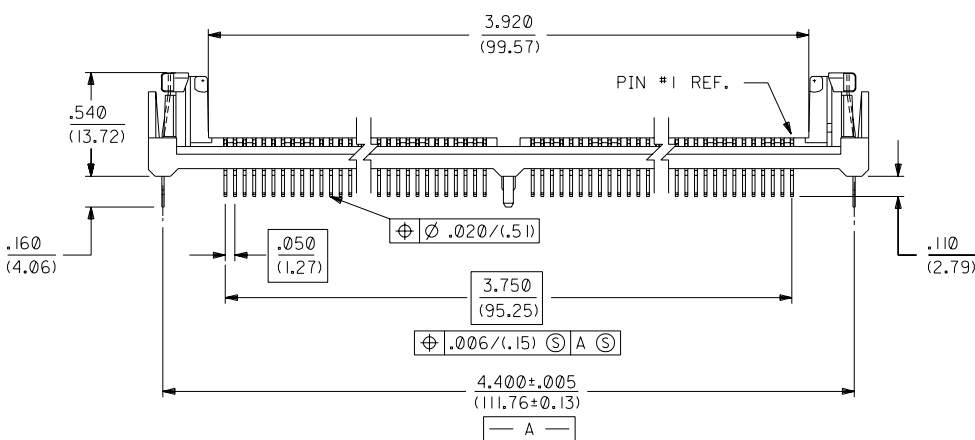
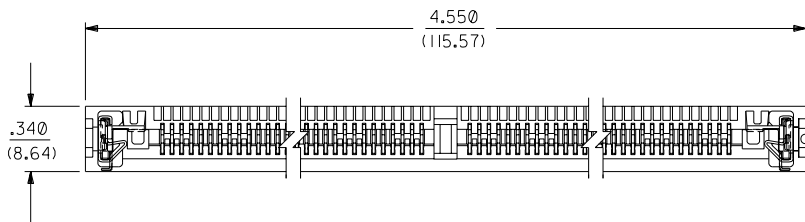


"SIMM" P.C. BOARD LAYOUT



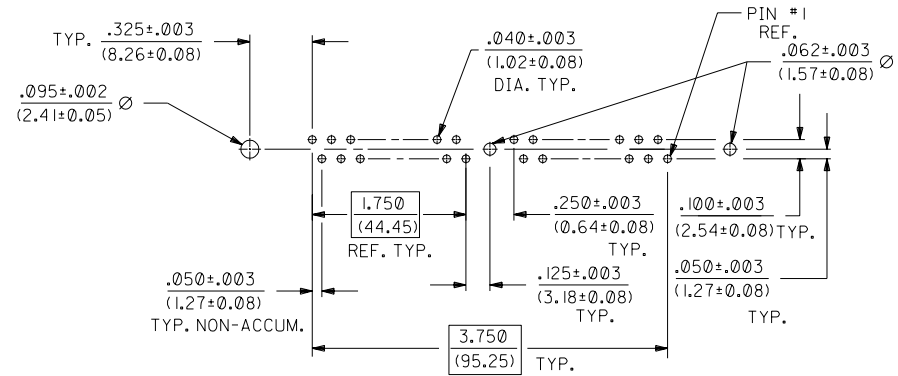
\*THE PRIMARY SHIPPING CARTON WILL BE LABELED "COMPLIANT TO RoHS DIRECTIVE 2002/95/EC AND ELV ANNEX II OF DIRECTIVE 2000/53/EC" CARTONS WITHOUT THIS LABEL MAY CONTAIN PRODUCT WITH LEAD.

- NOTES:
- CARD SLOT ACCEPTS .050 +.004/-.003 P.C. BOARDS (MEASURED OVER P.C. PADS).
  - PRODUCT SPEC PS-78954 APPLIES
  - CENTER PEG IS AN INTERFERENCE FIT TO PCB UNLESS NOTED ON THE DWG. (APPLICABLE ONLY IF PART HAS A CENTER PEG FEATURE)

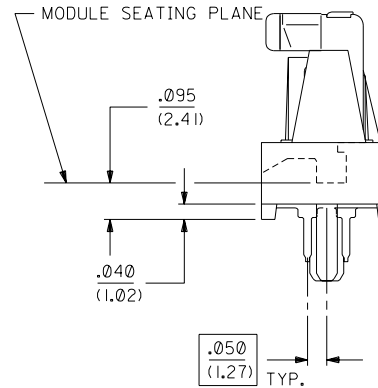
MATERIALS:

- HOUSING- LCP, GLASS FILLED, 94V-0, COLOR: BLACK
- TERMINAL- PHOSPHOR BRONZE
- PLATING- POST PLATED 200  $\mu\text{in}$  (5.08  $\mu\text{m}$ ) MINIMUM TIN IN CONTACT AREA AND 150  $\mu\text{in}$  (3.81  $\mu\text{m}$ ) MINIMUM TIN IN TAIL AREA OVER 50  $\mu\text{in}$  (1.27  $\mu\text{m}$ ) MINIMUM NICKEL OVERALL
- \* REFERENCE NOTE IN LOWER LEFT CORNER OF DRAWING.

METAL LATCH- STAINLESS STEEL



RECOMMENDED SOCKET P.C. BOARD HOLE PATTERN



END VIEW SCALE 4:1

E	LEAD FREE UCP2004-1582 WHITE 04/02/24
D	REVISED PER ECR U51309 GMY 8-18-95
C	REDRAWN PER ECR U20649 AMD 6-10-92
B	REVISED/UPDATED PER ECR U0 0647 SEC 9-21-90
A	ADDED EDP PER ERO 30152 KER 7-23-90
I	X - RELEASE PER ERO* 30151 KER 7-16-90

DIMENSIONS SHOWN (METRIC) INCH UNLESS OTHERWISE SPECIFIED TOLERANCES: ANGULAR ± 1/2°		▽ = 0		= 0		REVISE ONLY ON CAD SYSTEM	
3 PLACE ± .010		---		---		TITLE	
2 PLACE ± .014		± 0.25		---		SALES ASSEMBLY REV. ROTATION METAL LATCH VERTICAL SIMM SOCKET	
1 PLACE ---		± 0.35		---		MOLEX INCORPORATED	
DRAFT WHERE APPLICABLE MUST REMAIN WITHIN DIMENSIONS		FILE NAME		SHEET NO.		DATE	
DRWG. BY: KER		CHK'D. BY:		1		07/16/90	
APP'D. BY:		SCALE: 2:1		PART NO. 15-82-0777		DRWG. NO. SDA-78962-7233	
MFG., SH., REV., LTR., REVISIONS		FILE NAME: ST0562X40		MOLX INC. AND SHOULD NOT BE USED WITHOUT WRITTEN PERMISSION		DA	