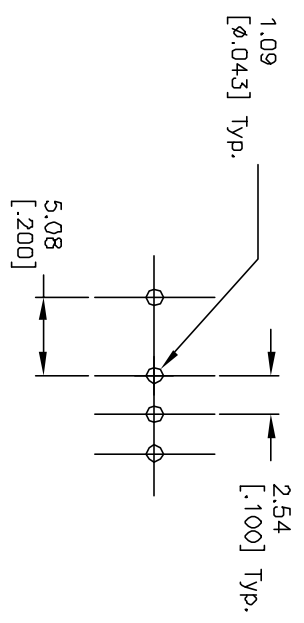


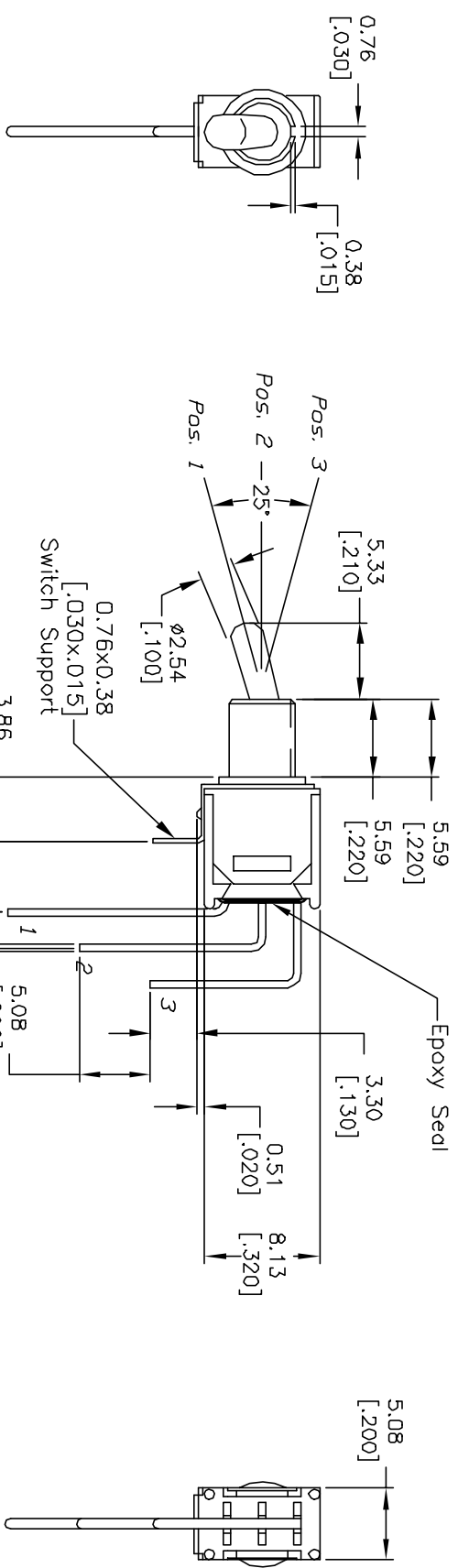
CIRCUIT: SPDT
CONTACT CONFIGURATION

SWITCH FUNCTION		
POS. 1	POS. 2	POS. 3
<DN>	OFF	<DN>
2-3	OPEN	2-1

()=Momentary



RECOMMENDED P.C.B. LAYOUT



NOTES:

1. ALL DIMENSIONS IN MM [INCH]
2. GENERAL TOLERANCE: 0.0=±0.4
0.00=±0.25
3. TERM. NOS. FOR REF. ONLY
4. RATING: .4VA max. @ 20VDC OR VAC max.
5. FIXED TERM. MOVING CONTACT: GOLD OVER NICKEL OVER COPPER ALLOY
6. ELECTRICAL LIFE: 30,000 make-and-break cycle at full load.
7. DIELECTRIC STRENGTH: 1,000 V RMS @sed level.
8. OPERATING TEMP.: -30°C to 85°C

E-SWITCH®

REV. A		11945		RELEASED FOR PRODUCTION		1/24/02		CJC	
REV. ECN No.		DESCRIPTION		DATE		CHKD		TITLE	
		200 MSP-4 T2 B4 M7 R E		SCALE 2:1		DATE 1/24/02		DR CJC DWG T211085 REV A	
<p>THE INFORMATION CONTAINED IN THIS DOCUMENT IS PROPRIETARY TO E-SWITCH AND IS NOT TO BE COPIED OR TRANSFERRED</p>									