

THIS DRAWING IS UNPUBLISHED.

RELEASED FOR PUBLICATION

2011

© COPYRIGHT 2011

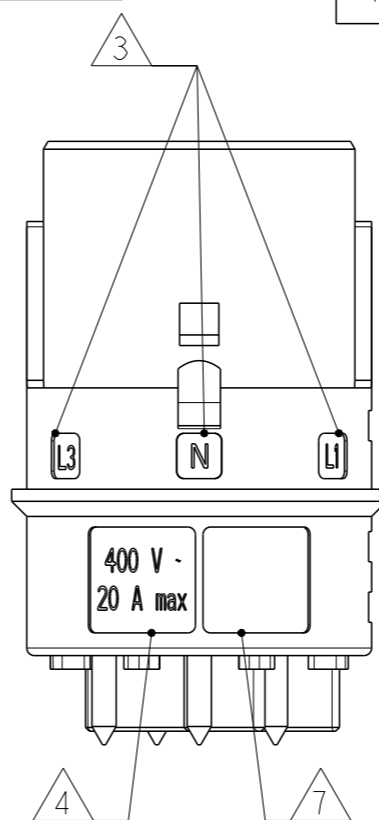
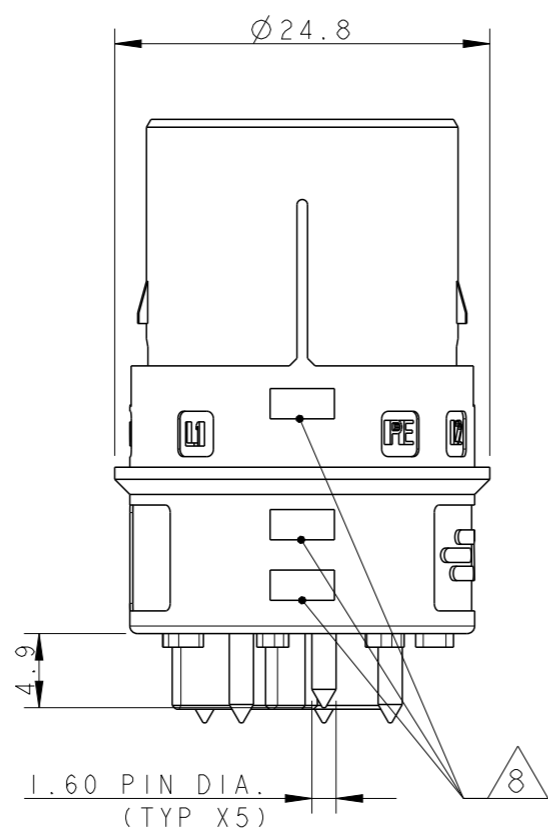
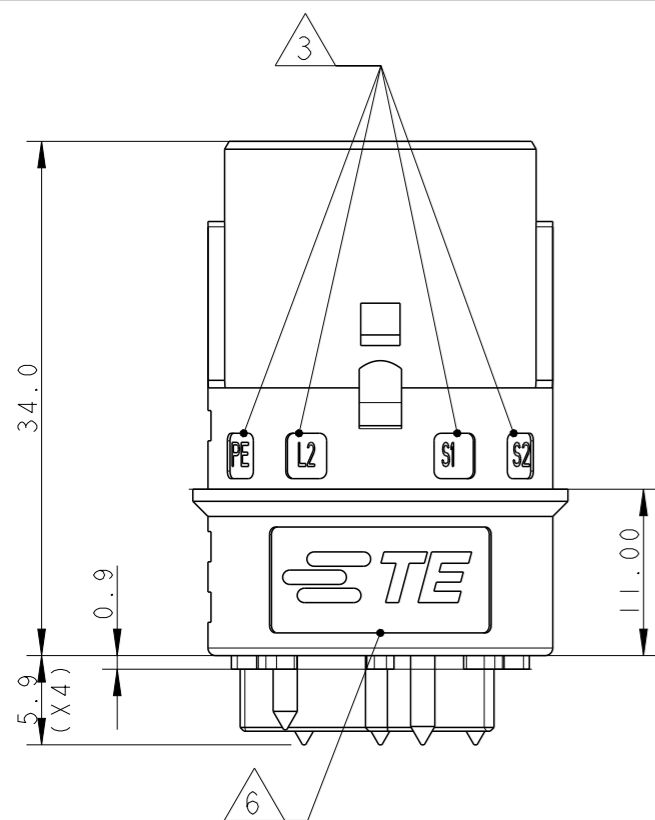
ALL RIGHTS RESERVED.

LOC 1

DIST -

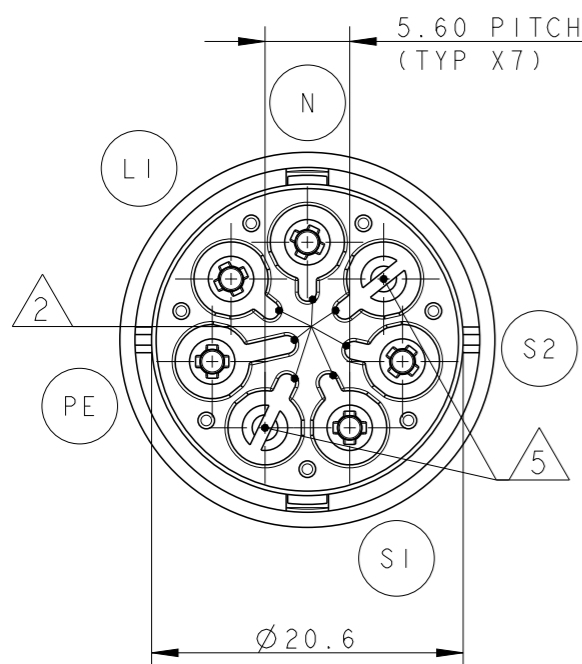
REVISIONS

P	LTR	DESCRIPTION	DATE	DWN	APVD
7		REVISED	09AUG2013	KR	JC
A		PARTS RELEASED FOR PRODUCTION	13NOV2013	MZ	JC

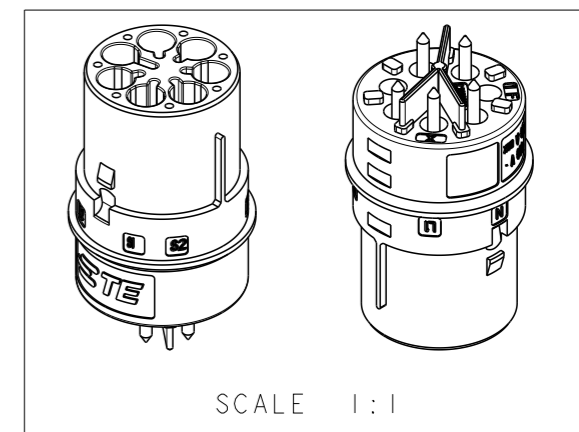
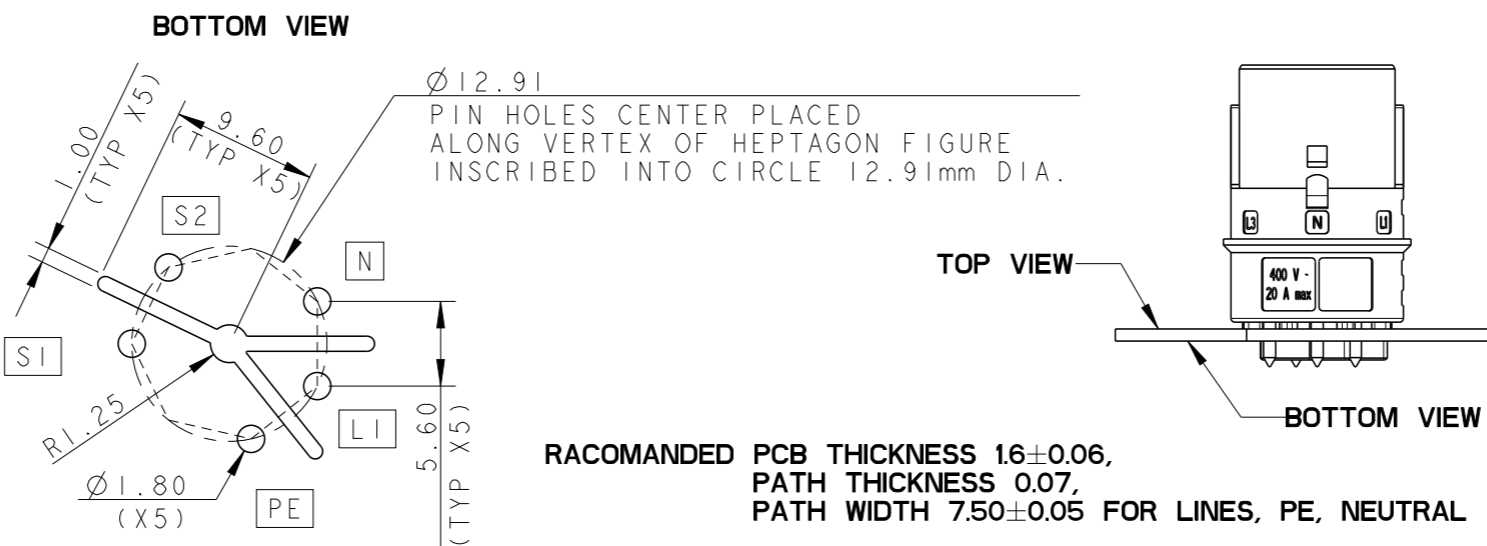


NOTES:

- 1 MATERIAL: PA GF (NATURAL COLOUR)
- 2 ALL POLARIZATION KEYS SHOWN FOR REF ONLY
- 3 WAYS I.D.
- 4 VOLTAGE AND CURRENT RATINGS
- 5 RIB CLOSING CAVITIES BY CHANGE OVER
- 6 TE LOGO
- 7 AREA FOR AGENCIES APPROVAL LOGO
- 8 VISUAL INDICATOR FOR PE CONDUCTOR
- 9 POLARISATION KEY "TYPE D" SUITABLE FOR DALI APPLICATION



PCB CUT-OUT AND HOLES DIMENSIONS (±0.03)



THIS DRAWING IS A CONTROLLED DOCUMENT.

DWN M. ZUCCA 04APR2011

CHK M. ZUCCA 04APR2011

APVD G. TURCO 04APR2011

PRODUCT SPEC

APPLICATION SPEC

WEIGHT

Customer Drawing



TE Connectivity

PIN PCB CONNECTOR
NECTOR* M-LINE 5 POLES

NAME

SIZE A3 CAGE CODE 00779 DRAWING NO. C-293695

RESTRICTED TO

SCALE 2:1 SHEET 1 OF 2 REV A

DIMENSIONS:
mm



TOLERANCES UNLESS OTHERWISE SPECIFIED:

0 PLC	±-
1 PLC	±0.3
2 PLC	±0.20
3 PLC	±-
4 PLC	±-
ANGLES	±3°

MATERIAL

FINISH

THIS DRAWING IS UNPUBLISHED.

RELEASED FOR PUBLICATION

2011

© COPYRIGHT 2011

ALL RIGHTS RESERVED.

LOC 1
DIST -

REVISIONS

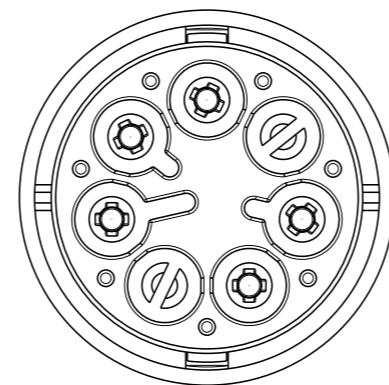
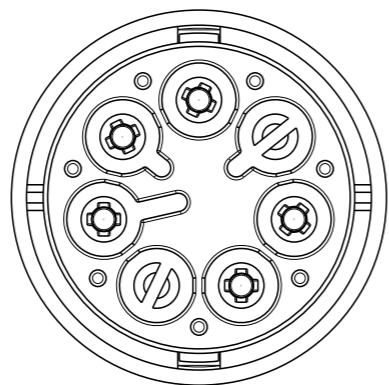
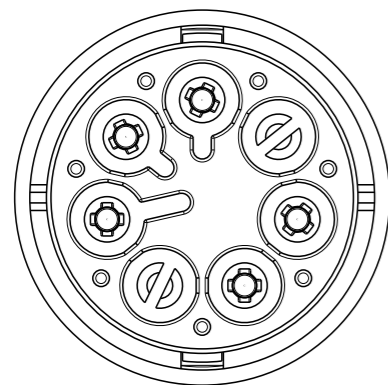
P	LTR	DESCRIPTION	DATE	DWN	APVD
-	-	SEE SHEET 1	-	-	-

POLARIZATION TYPES

POLARIZATION TYPE "A"

POLARIZATION TYPE "B"

POLARIZATION TYPE "C"



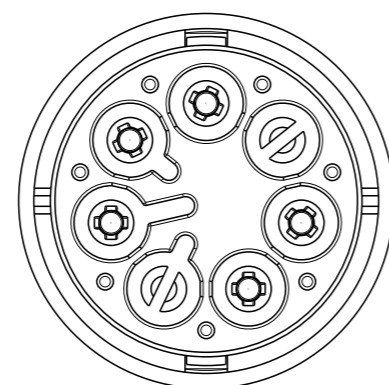
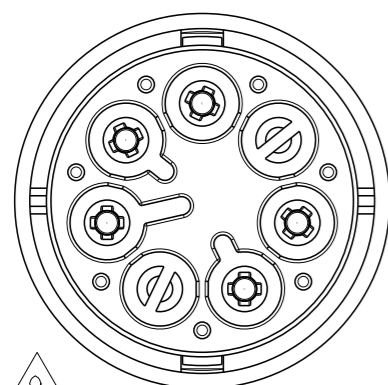
PN 0-293695-1

PN 0-293695-2

PN 0-293695-3

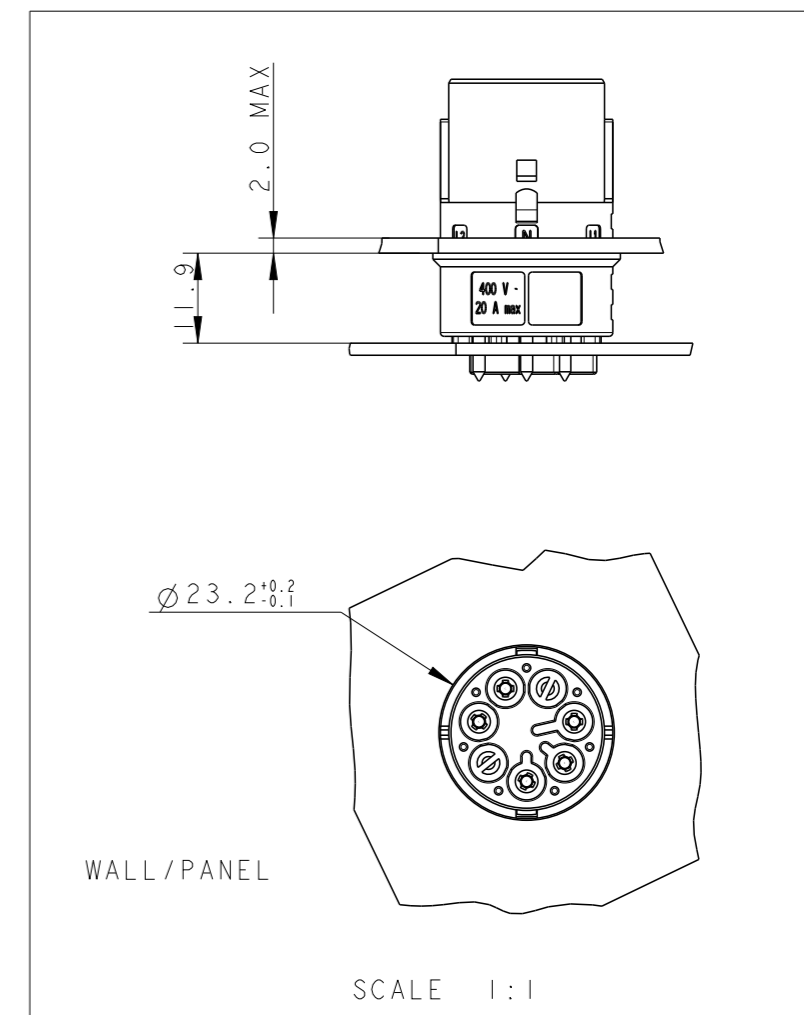
POLARIZATION TYPE "D"

POLARIZATION TYPE "E"



PN 0-293695-4

PN 0-293695-5



	E	NATURAL	PIN PCB CONNECTOR NECTOR* M-LINE 5 POLES	A	0-293695-5
	D	NATURAL	PIN PCB CONNECTOR NECTOR* M-LINE 5 POLES	A	0-293695-4
	C	NATURAL	PIN PCB CONNECTOR NECTOR* M-LINE 5 POLES	A	0-293695-3
	B	NATURAL	PIN PCB CONNECTOR NECTOR* M-LINE 5 POLES	A	0-293695-2
	A	NATURAL	PIN PCB CONNECTOR NECTOR* M-LINE 5 POLES	A	0-293695-1
NOTE	POL. KEYING	COLOUR	DESCRIPTION	REV.	PART NUMBER

THIS DRAWING IS A CONTROLLED DOCUMENT.

DIMENSIONS:
mm



MATERIAL -

TOLERANCES UNLESS OTHERWISE SPECIFIED:

0 PLC	±-
1 PLC	±0.3
2 PLC	±0.20
3 PLC	±-
4 PLC	±-
ANGLES	±3°
FINISH	-

FINISH -

DWN M. ZUCCA 04APR2011

CHK M. ZUCCA 04APR2011

APVD G. TURCO 04APR2011

PRODUCT SPEC -

APPLICATION SPEC -

WEIGHT -

Customer Drawing

NAME
PIN PCB CONNECTOR NECTOR* M-LINE 5 POLES

SIZE A3 CAGE CODE 00779 DRAWING NO C-293695 RESTRICTED TO -

SCALE 2:1 SHEET 2 OF 2 REV A

STE TE Connectivity