

8

7

6

5

4

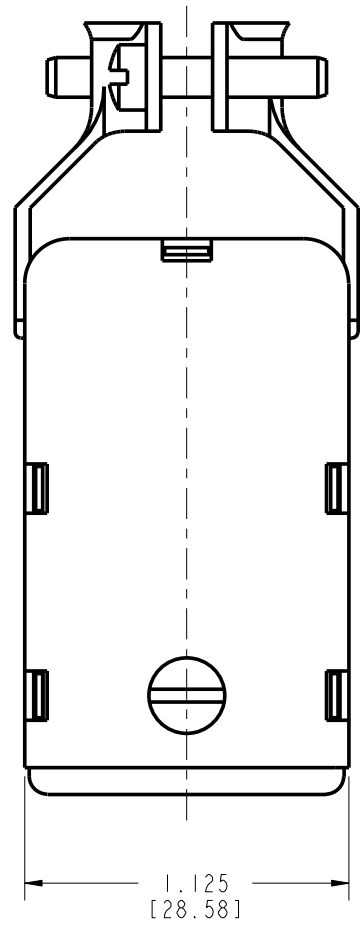
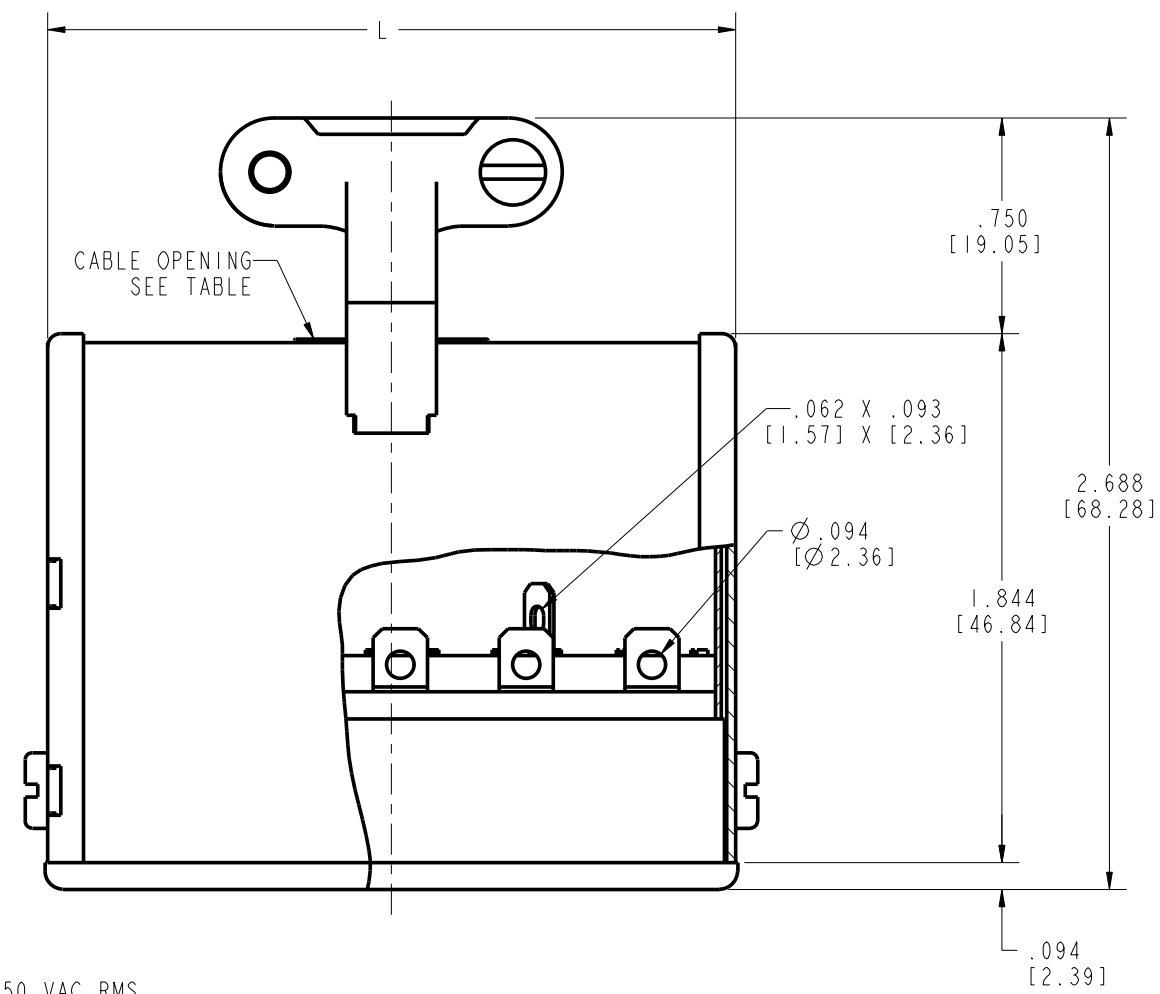
3

2

1

PART NUMBER	SIZE	L	CABLE OPENING	FACTORY NUMBER
S-2404H-CCT	4	1.063 [27.00]	.438 [11.13]	703 04 04 002
S-2406H-CCT	6	1.500 [38.10]	.438 [11.13]	703 04 06 002
S-24084H-CCT	8	1.938 [49.23]	.563 [14.30]	703 04 08 002
S-2410H-CCT	10	2.375 [60.33]	.563 [14.30]	703 04 10 002
S-2412H-CCT	12	1.813 [46.05]	.625 [15.88]	703 04 12 002

DRAWING REVISIONS			
REV	DOCUMENT	APP	DATE
1	DO 06-1068		



NOTES:

1. SPECIFICATIONS:

ELECTRICAL:  
 OPERATING VOLTAGE: 250 VAC RMS  
 CURRENT RATING: 15 AMPS  
 CURRENT RESISTANCE: 1.0 MILLIOHMS MAXIMUM

INSULATOR: MOLDED MONBLOCK, GENERAL PURPOSE PHENOLIC, BLACK  
 CONTACT: PHOSPHOR BRONZE, MATTE TIN  
 BRACKET, SCREW: STEEL, ZINC WITH CLEAR TRVALENT CHROME  
 CAP: BLACK CRINKLE  
 LINER: PAPER, CELLULOSE BASED, UL 94V-0

ENVIRONMENTAL:  
 OPERATING TEMPERATURE: UP TO +105°C

TERMINATION: SOLDER

2. DIMENSIONS IN [ ] ARE MILLIMETERS  
 3. ALL DIMENSIONS ARE REFERENCE

RoHS COMPLIANT

UNITS <b>ENGLISH INCHES</b>		PRO/E		Cinch		MODELED BY: JIMENEZ	
DO NOT SCALE DRAWING		DRAWN BY JIMENEZ	DATE 8/1/06	TITLE SOCKET AND CAP ASSEMBLIES			
UNLESS OTHERWISE SPECIFIED: ALL DIMENSIONS ARE IN INCHES		DESIGN ENGINEER A. BALI	8/1/06	MATERIAL		CONTROL SPEC NUMBER 06-1068	
FILLET/RADII .02 MAX		DESIGN ENGINEERING MGR.		MATERIAL SPEC NUMBER		PROJECT NUMBER C14789-2	
TOLERANCES XX ± .01 XXX ± .005 ANGULAR ± .5°		MFG. ENGINEERING		CAD FILE NUMBER S2404HCCT		DRAWING NUMBER <b>S-2404H-CCT</b>	
THIS DOCUMENT IS THE PROPERTY OF CINCH. NEITHER THIS DOCUMENT NOR ANY OF THE INFORMATION CONTAINED IN IT MAY BE DUPLICATED OR DISCLOSED WITHOUT PRIOR WRITTEN CONSENT OF CINCH.		QUALITY ASSURANCE		CAGE IDENT NO. <b>71785</b>	SCALE 1.000	SHEET 1 OF 1	

8

7

6

5

4

3

2

1