

PIC32 Bluetooth® Daughter Board - BM64 Information Sheet

The PIC32 Bluetooth Daughter Board - BM64 (AC320032-3) is based on the Microchip BM64 Bluetooth Stereo Audio Module. This information sheet provides an overview and detailed schematics of the PIC32 Bluetooth Daughter Board.

This daughter board is designed specifically to be used with the PIC32 Bluetooth Audio Development Kit (DV320032); however, it can also be used with other Microchip development hardware.

Visit <http://www.microchip.com> for more information.

Features

The PIC32 Bluetooth Daughter Board - BM64 features the Microchip BM64 Bluetooth Stereo Audio Module, which supports 2.4 GHz Bluetooth® version 4.2, with the BDR/EDR/BLE specification. The BM64 has built-in user programmable DSP and EQ, which is accessible through an easy to configure User Interface (UI) tool, a Windows® configuration utility, or directly by MCU.

The PIC32 Bluetooth Daughter Board - BM64 is suitable for adding Bluetooth and Audio input and output capabilities to the PIC32 Bluetooth Starter Kit (DM320018) and the PIC32 Bluetooth Audio Development Kit (DV320032).

The PIC32 Bluetooth Daughter Board - BM64 features include:

- Microchip BM64 Stereo Audio Module
- Fully-certified, embedded 2.4 GHz Bluetooth V4.2 module
- Bluetooth SIG-qualified, Bluetooth BDR/EDR/BLE specification
- 3.5 mm Inputs:
 - Line in
 - External Mic in
- Supports both I²S format and analog audio output
- On-board Bluetooth Stack
- Integrated DSP with code for echo cancellation and other features
- Suitable for audio and voice, and utilized in Bluetooth applications
- X32 connection interface.

Additional Information

For more information on drivers and examples, please visit:

- www.microchip.com/pic32btsuites
- www.microchip.com/harmony

Americas

Atlanta - 678-957-9614
Austin - 512-257-3370
Boston - 774-760-0087
Chicago - 630-285-0071
Cleveland - 216-447-0464
Dallas - 972-818-7423
Detroit - 248-848-4000
Houston - 281-894-5983
Indianapolis - 317-773-8323
Los Angeles - 949-462-9523
New York - 631-435-6000
Phoenix - 480-792-7200
Santa Clara - 408-961-6444
Toronto - 905-673-0699

Europe

Austria - Wels - 43-7242-2244-39
Denmark - Copenhagen - 45-4450-2828
France - Paris - 33-1-69-53-63-20
Germany - Munich - 49-89-627-144-0
Italy - Milan - 39-0331-742611
Netherlands - Drunen - 31-416-690399
Spain - Madrid - 34-91-708-08-90
UK - Wokingham - 44-118-921-5869

Asia/Pacific

Australia - Sydney - 61-2-9868-6733
China - Beijing - 86-10-8569-2100

Asia/Pacific (Continued)

China - Chengdu - 86-28-8665-5511
China - Chongqing - 86-23-8980-9588
China - Hangzhou - 86-571-8792-8115
China - Hong Kong SAR - 852-2943-5100
China - Nanjing - 86-25-8473-2460
China - Qingdao - 86-532-8502-7355
China - Shanghai - 86-21-5407-5533
China - Shenyang - 86-24-2334-2829
China - Shenzhen - 86-755-8864-2200
China - Wuhan - 86-27-5980-5300
China - Xiamen - 86-592-2388138
China - Xian - 86-29-8833-7252
China - Zhuhai - 86-756-3210040
India - Bangalore - 91-80-3090-4444
India - New Delhi - 91-11-4160-8631
India - Pune - 91-20-3019-1500
Japan - Osaka - 81-6-6152-7160
Japan - Tokyo - 81-3-6880-3770
Korea - Daegu - 82-53-744-4301
Korea - Seoul - 82-2-554-7200
Malaysia - Kuala Lumpur - 60-3-6201-9857
Malaysia - Penang - 60-4-227-8870
Philippines - Manila - 63-2-634-9065
Singapore - 65-6334-8870
Taiwan - Hsin Chu - 886-3-5778-366
Taiwan - Kaohsiung - 886-7-213-7840
Taiwan - Taipei - 886-2-2508-8600
Thailand - Bangkok - 66-2-694-1351

01/11/17



MICROCHIP

Microchip Technology Inc. • 2355 West Chandler Blvd. • Chandler, AZ 85224-6199

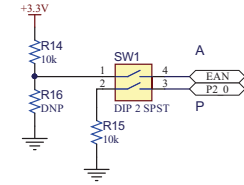
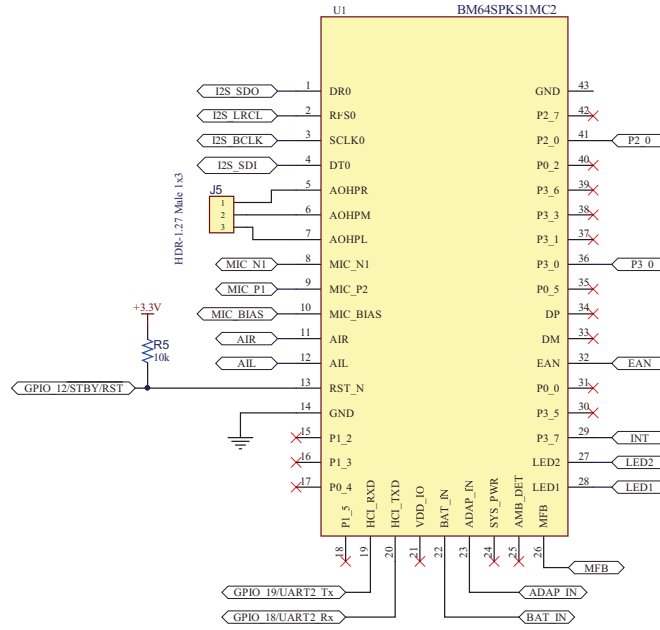
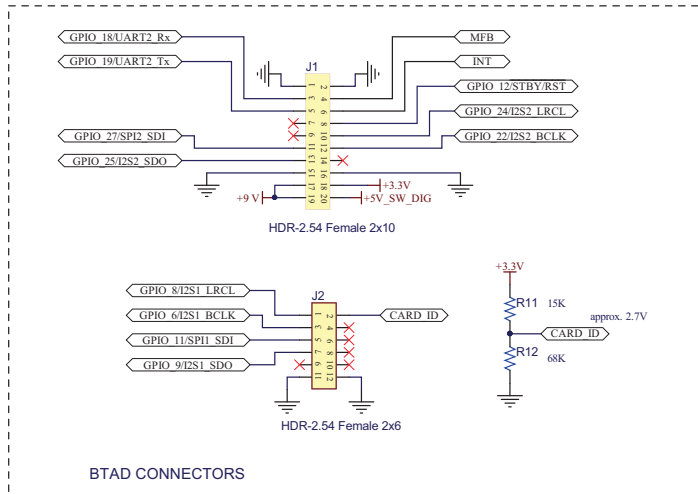
www.microchip.com

The Microchip name and logo, the Microchip logo, and MPLAB are registered trademarks of Microchip Technology Incorporated in the U.S.A. and other countries. All other trademarks mentioned herein are property of their respective companies. © 2014, Microchip Technology Incorporated, Printed in the U.S.A. All Rights Reserved. 01/17

DS50002607A



PIC32 Bluetooth Daughter Board - BM64 Schematics



SW1 SETTINGS		
	EAN	P2_0
ROM APP	ON	OFF
ROM TEST	ON	ON
Flash APP	OFF	OFF
Flash TEST	OFF	ON

