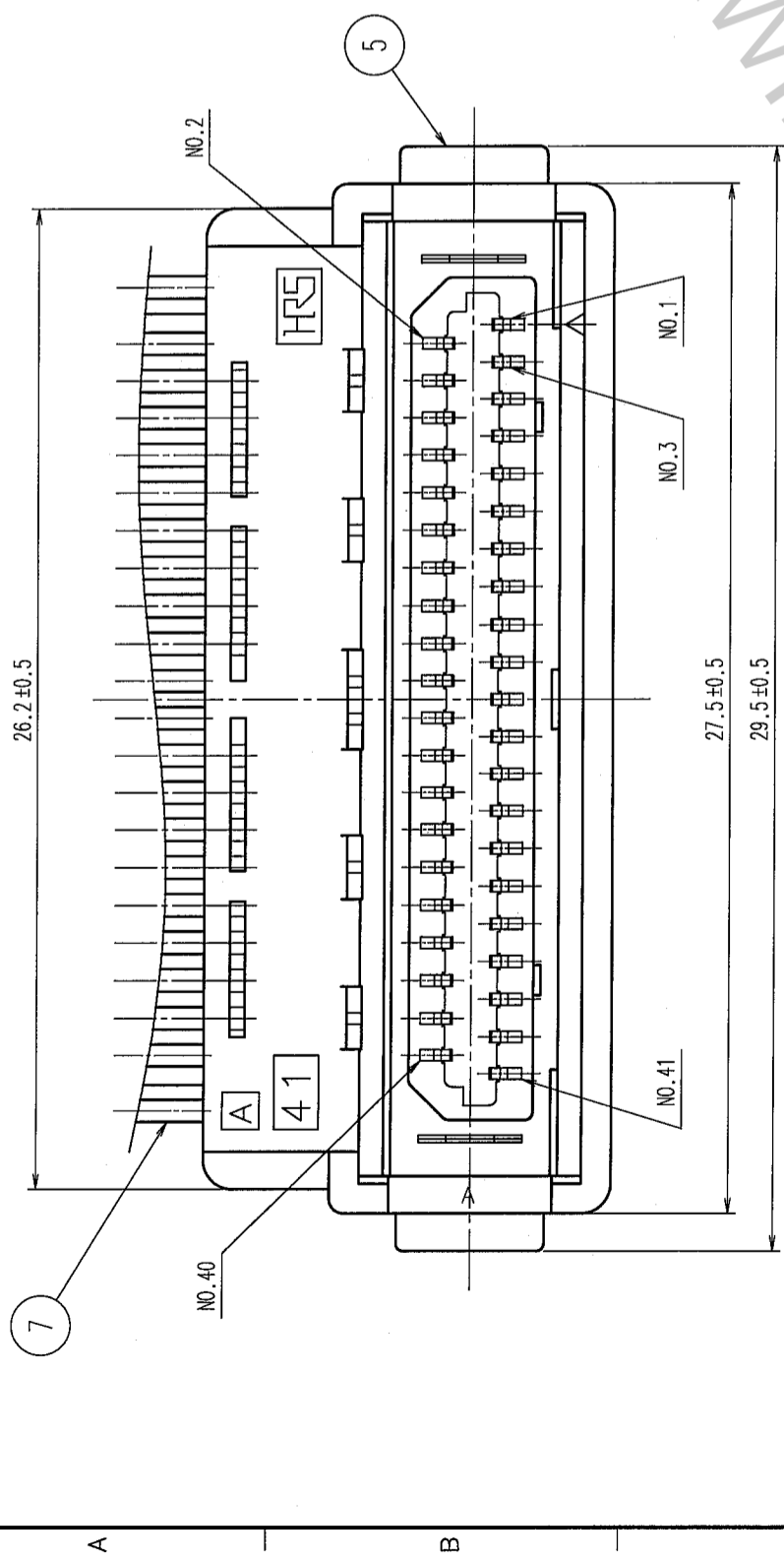
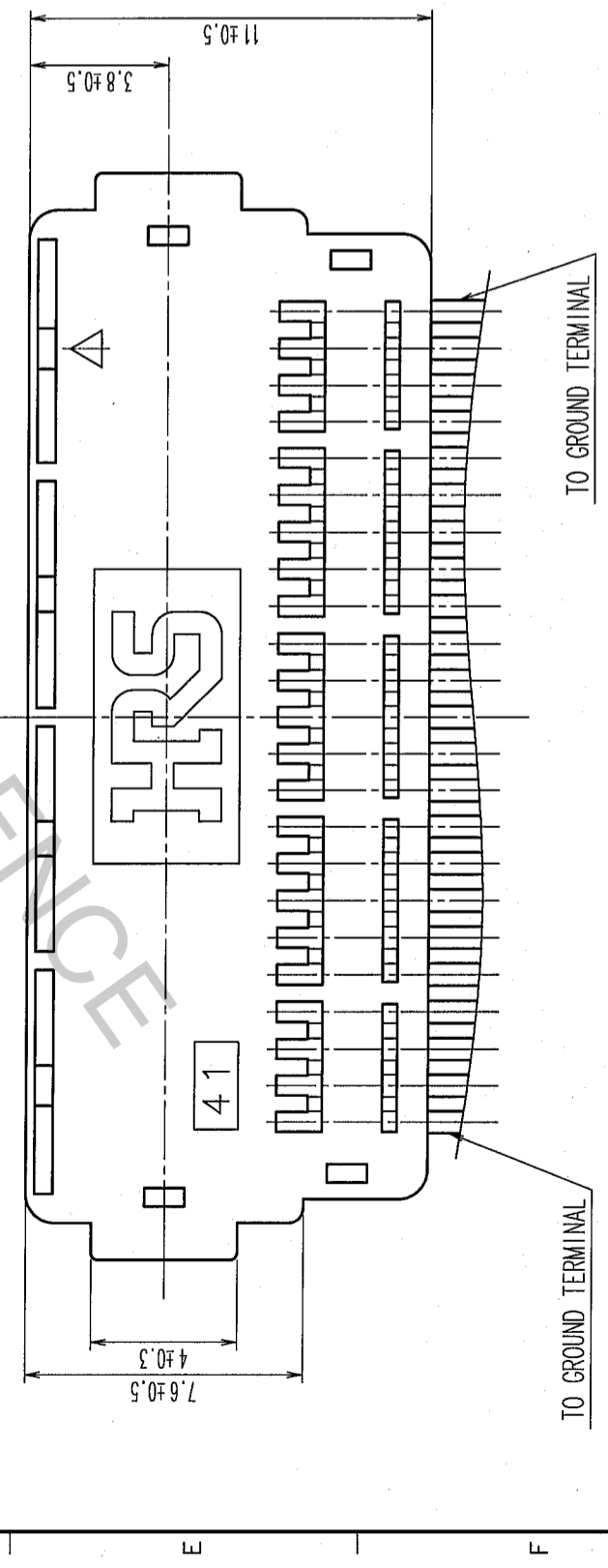
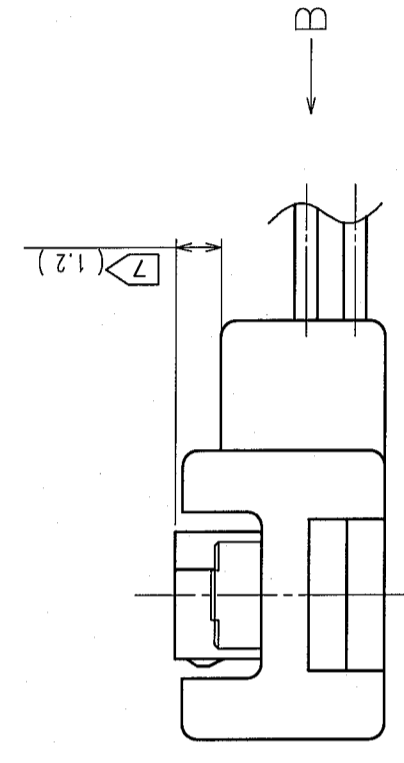
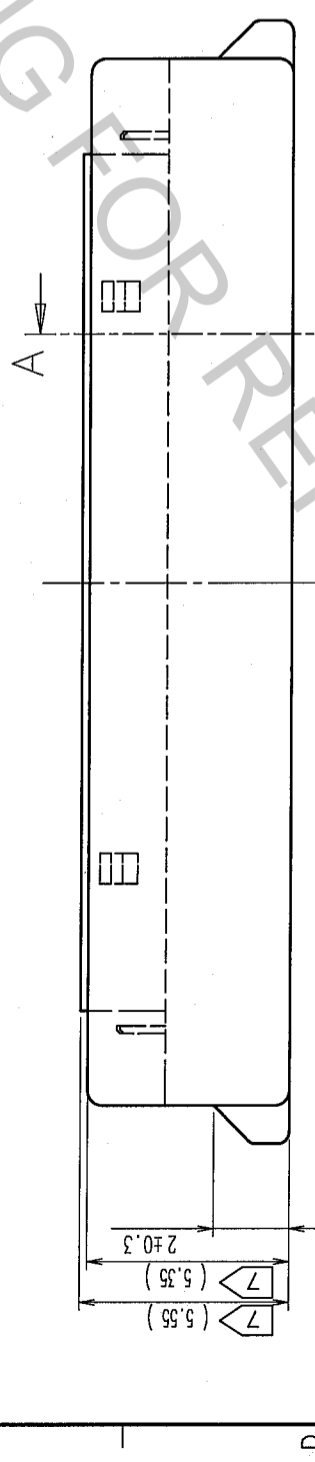
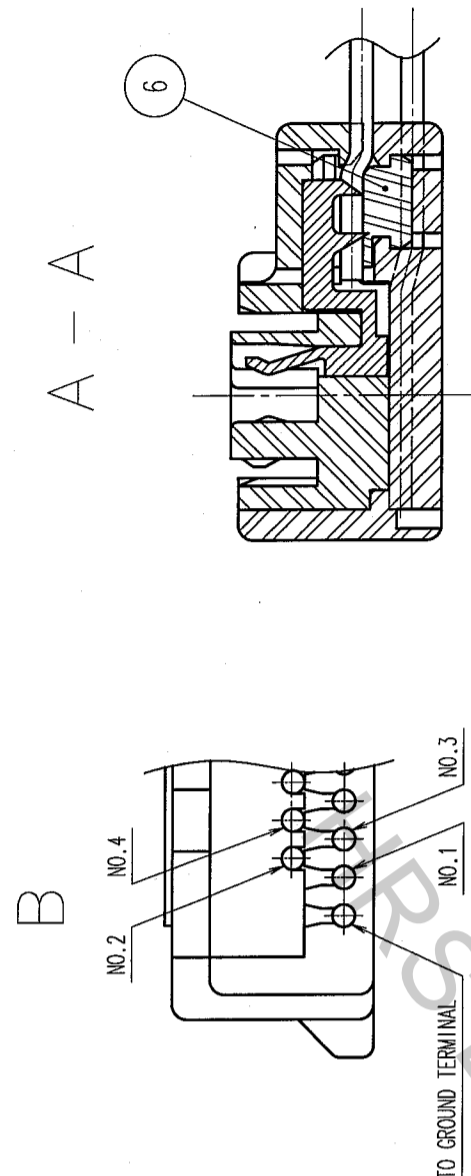


COUNT	DESCRIPTION OF REVISIONS	BY	CHKD	DATE	COUNT	DESCRIPTION OF REVISIONS	BY	CHKD	DATE
△					△				
△					△				
△					△				



A - A



NOTES 4: THIS DRAWING SHOWS CABLE ASSEMBLY CONDITION.
 5: STACKING HEIGHT BETWEEN A HEAD OF DF9M-41S-1R(05) AND PCB SURFACE IS 6.8 mm.
 6: FROM PARTS NO.1 TO 4 SHOW DF9M-41S-1R(05). PARTS NO.5 SHOWS DF9M-41S-1R-PA. PARTS NO.6 SHOWS DF9M-41S-1R-PB.
 7: THIS DIMENSION FOR REFERENCE, BECAUSE OF CONTROL BY IDC HEIGHT. (SEE WORK INSTRUCTION)

CODE NO. (OLD)	DRAWN	DESIGNED	CHECKED	APPROVED	RELEASED
	<i>A. Nishimura</i>	<i>J. Oai</i>	<i>T. Miyajima</i>	<i>T. Nishimura</i>	
	DATE: 06.01.24 06.01.24 06.01.24 06.01.24				
DRAWING NO. EDC3-160926-05	PART NO. DF9M-41S-1R(05)				
SCALE 5 : 1	CODE NO. CL540-0234-1-05				
UNITS mm	HIROSE ELECTRIC CO., LTD.				