

28 channel inkjet driver

Features

- Multipower BCD technology
- 40 V DMOS output breakdown
- Precise output energy
- ESD output protection with clamping diodes
- Very low quiescent current
- PLCC44 package

Description

The L6451 is realized in Multipower BCD Technology which combines isolated DMOS power transistors with CMOS and Bipolar circuits on the same IC. By using mixed technology it has been possible to optimize the logic circuitry and the power stage to achieve the best possible performances.

Table 1. Device summary

Order codes	Package
L6451	PLCC44
L6451013TR	PLCC44 in tape and reel
L6451DIE8	DIE

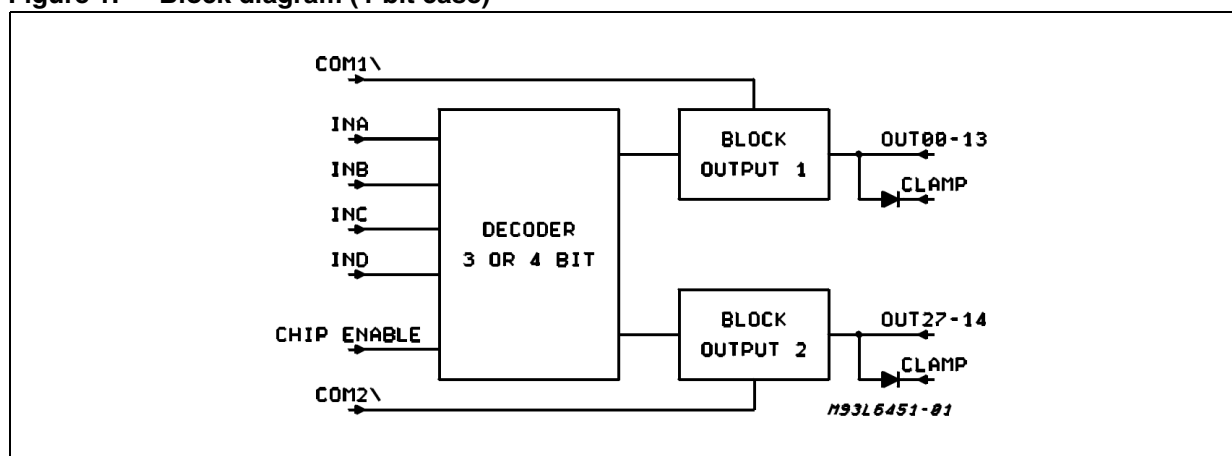


Intended to be used in inkjet printer applications as a 4 to 28 (2 x 14) line selectable decoder/driver, the L6451 device driver has the advantages of low power CMOS inputs and logic, with 28 high current and high voltage DMOS outputs capable of sustaining a maximum of 40 V.

On system power up the output drivers are locked out using the chip enable function; two enable inputs are available for the different driver banks. An internal power-on system is implemented in order to avoid wrong output commutation during the supply voltage transients.

Using a mask option during manufacturing allows a different decoding. Control of the energy delivered to the print head is made by means of a special circuitry. All driver outputs are capable of withstanding a contact discharge of +/-8 kV with the IC biased.

Figure 1. Block diagram (4-bit case)



1 Pin information

Figure 2. Pin connection (top view)

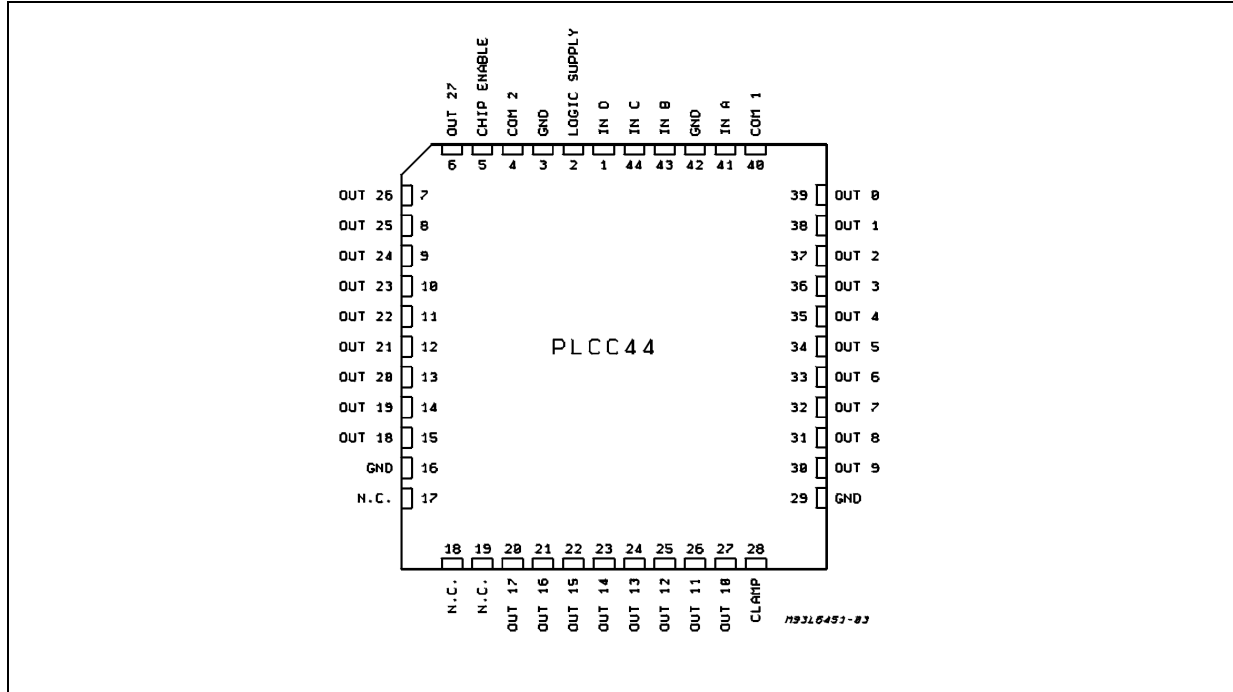


Table 2. Pin description

Pin Name	Function
V _{DD}	5 V logic supply.
GND	Logic and power ground.
OUT0 to OUT27	DMOS outputs.
CLAMP	This pin has to be connected to the power supply voltage of the head resistors. Each of the output DMOS have their drain connected with the anode of a protection diode, all the cathodes of the protection diodes are connected to the clamp pin. In order to have the device supplied, the CLAMP pin needs to be connected to the power.
INA, INB, INC, IND	Decoder inputs.
COM1, COM2	A low logic input on these pins enables the outputs selected by the decoder inputs.
CHIP ENABLE	A logic high enable the chip.

2 Electrical characteristics

Table 3. Absolute maximum ratings

Symbol	Parameter	Value	Unit
V _{OUT}	Output voltage	40	V
V _{CLAMP}	Output clamping voltage	40	V
I _{OUT}	Output continuous current	0.8	A
I _{PEAK}	Output peak current (with duty cycle = 10% TON= 4 ms)	2	A
T _J	Junction temperature	150	°C
V _{DD}	Logic supply voltage	7	V
V _{IN}	Input voltage range	-0.3 V to V _S +0.3	V
T _{amb}	Operating temperature range	0 to 70	°C
T _{stg}	Storage temperature range	-55 to 150	°C

Table 4. Thermal data

Symbol	Parameter	Value	Unit
R _{th j-amb}	Thermal resistance junction-ambient max.	65 ⁽¹⁾	°C/W

1. Device mounted on PCB.

Table 5. DC electrical characteristics⁽¹⁾

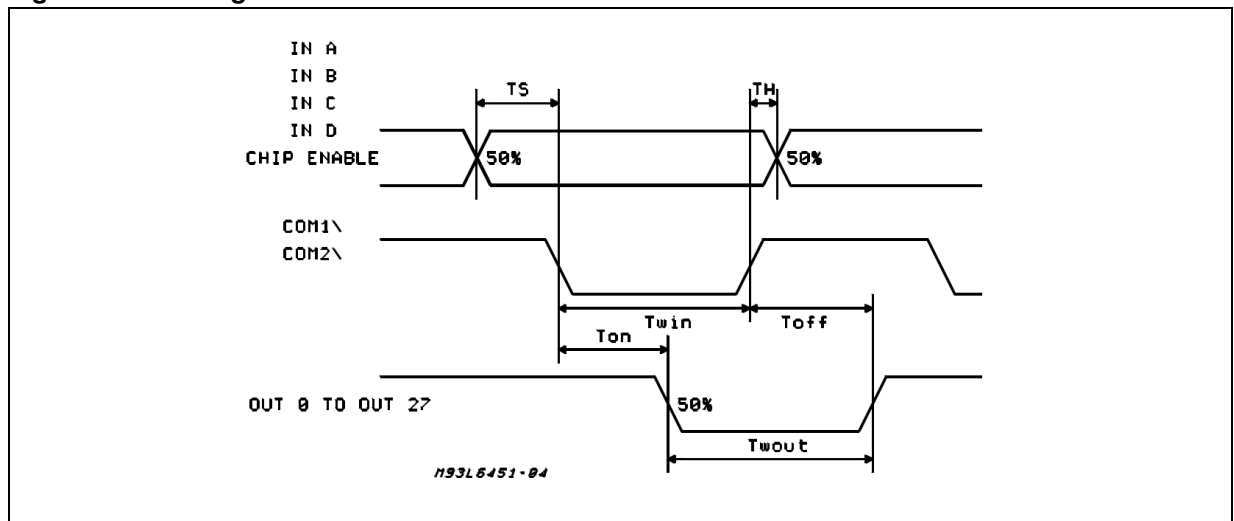
Symbol	Parameter	Test Condition	Min.	Typ.	Max.	Unit
V _{DD}	Logic supply voltage		4.75	5	5.25	V
V _{CLAMP}	Clamping voltage		9		38	V
V _{IL}	Low level input voltage				1.2	V
V _{IH}	High level input current		V _{DD} - 1.2			V
I _{LL}	Low level input current	V _{IN} = V _{IL}			-200	μA
I _{LH}	High level input current	V _{IN} = V _{IH}			10	μA
I _{DD}	Logic supply current	(Independent from the output conditions)			5	mA
V _{OUT}	Output saturation voltage	T _J = 25 °C D.C. 0.4 A		0.9		V
		T _J = 25 °C D.C. 0.5 A		1.1		V
		T _J = 90 °C D.C. 0.4 A		1.4		V
		T _J = 90 °C D.C. 0.5 A		1.7		V
ΔV _{CE}	Output saturation absolute voltage variation around the typ. values for extended temperature ranges	T _J = 25 °C to 90 °C D.C.: 0.4 A			±0.2	V
		T _J = 25 °C to 90 °C D.C.: 0.5 A			±0.25	V
R _{DS(ON)}				2.2		Ω

1. T_{amb} = 25°C, V_{DD} = 5V, V_{clamp} = 18 V unless otherwise specified

Table 6. AC electrical characteristics

Symbol	Signal Name	Parameter	Test Condition	Min.	Typ.	Max.	Unit
T_S	INA, INB, INC, IND Vs COMn	SET - UP time		30			ns
T_H	INA, INB, INC, IND Vs COMn	HOLD time		0			ns
T_{on}	COM1,2,3,4 V _S OUT 0 to N	TURN - ON time	$I_{OUT}= 0.5 A,$ $R_L= 39 \Omega$ $T_J= 25$ to $90^\circ C$		150		ns
T_{off}	COM1,2,3,4 V _S OUT 0 to N	TURN - OFF time	$I_{OUT}= 0.5 A,$ $R_L= 39 \Omega$ $T_J= 25$ to $90^\circ C$		150		ns
t_r		Rise time			100		ns
t_f		Fall time			100		ns
T_{wout}		Output pulse width	$T_{win}= 3.5 ms$ $R_L= 40 \Omega$ $I_{OUT}= 0.5 A$	-20	T_{win}	+80	ns
ΔP_D		Maximum allowable variation of the output power transmitted by each driver to the resistive load	$R_L= 39 \Omega$ $V_{CLAMP}= 18 V$			± 4	%
			$R_L= 40 \Omega$ $V_{clamp}= 18 V$			± 4	%

Figure 3. Timing waveforms

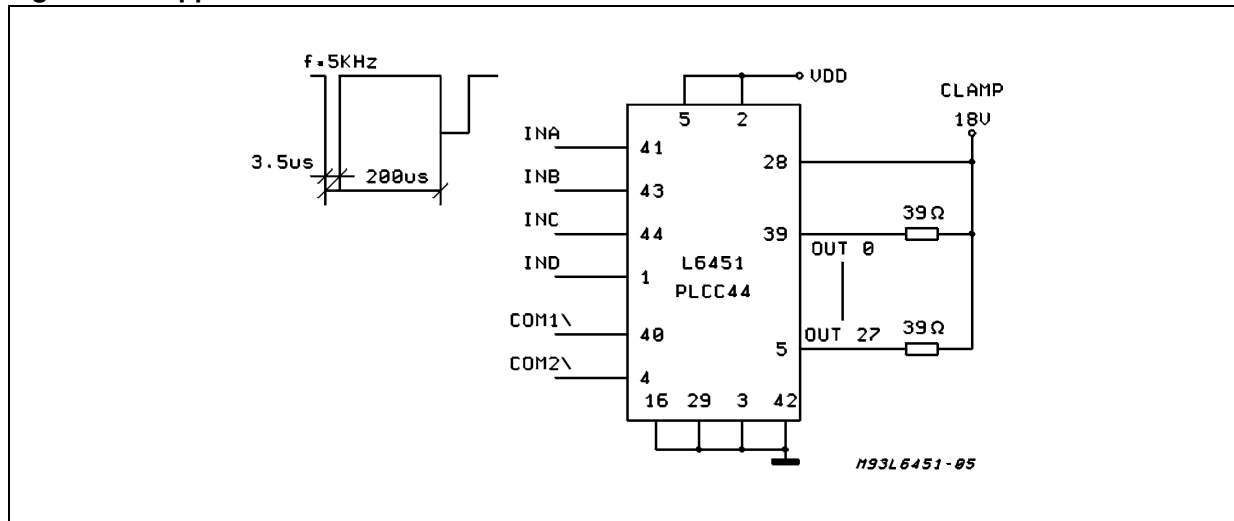


3 Functional description

Table 7. Decoder truth table

IND	INC	INB	INA (LSB)	OUTPUTS
0	0	0	0	0.27
0	0	0	1	1.26
0	0	1	0	2.25
0	0	1	1	3.24
0	1	0	0	4.23
0	1	0	1	5.22
0	1	1	0	6.21
0	1	1	1	7.20
1	0	0	0	8.19
1	0	0	1	9.18
1	0	1	0	10.17
1	0	1	1	11.16
1	1	0	0	12.15
1	1	0	1	13.14
1	1	1	0	ALL OFF
1	1	1	1	ALL OFF

Figure 4. Application circuit



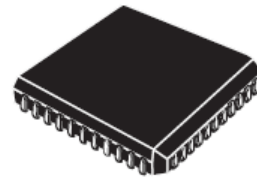
4 Package information

In order to meet environmental requirements, ST offers these devices in different grades of ECOPACK® packages, depending on their level of environmental compliance. ECOPACK® specifications, grade definitions and product status are available at: www.st.com. ECOPACK® is an ST trademark.

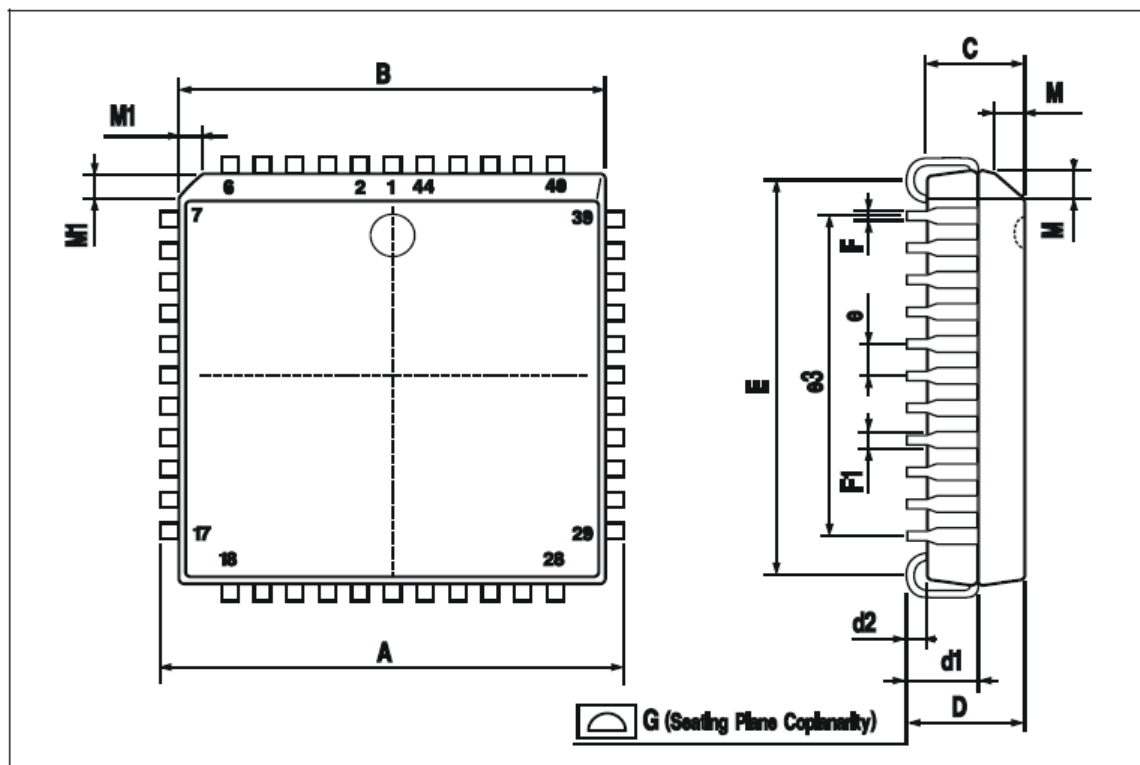
Figure 5. PLCC44 mechanical data and package dimensions

DIM.	mm			inch		
	MIN.	TYP.	MAX.	MIN.	TYP.	MAX.
A	17.4		17.65	0.685		0.695
B	16.51		16.65	0.650		0.656
C	3.65		3.7	0.144		0.146
D	4.2		4.57	0.165		0.180
d1	2.59		2.74	0.102		0.108
d2		0.68			0.027	
E	14.99		16	0.590		0.630
e		1.27			0.050	
e3		12.7			0.500	
F		0.46			0.018	
F1		0.71			0.028	
G			0.101			0.004
M		1.16			0.046	
M1		1.14			0.045	

OUTLINE AND MECHANICAL DATA



PLCC44



Revision history

Table 8. Document revision history

Date	Revision	Description of Changes
Dec-2000	2	First Issue in EDOCS dms
May -2005	3	Changed only look and feel layout
02-Apr-2009	4	Converted to corporate template. Added ECOPACK information.

Please Read Carefully:

Information in this document is provided solely in connection with ST products. STMicroelectronics NV and its subsidiaries ("ST") reserve the right to make changes, corrections, modifications or improvements, to this document, and the products and services described herein at any time, without notice.

All ST products are sold pursuant to ST's terms and conditions of sale.

Purchasers are solely responsible for the choice, selection and use of the ST products and services described herein, and ST assumes no liability whatsoever relating to the choice, selection or use of the ST products and services described herein.

No license, express or implied, by estoppel or otherwise, to any intellectual property rights is granted under this document. If any part of this document refers to any third party products or services it shall not be deemed a license grant by ST for the use of such third party products or services, or any intellectual property contained therein or considered as a warranty covering the use in any manner whatsoever of such third party products or services or any intellectual property contained therein.

UNLESS OTHERWISE SET FORTH IN ST'S TERMS AND CONDITIONS OF SALE ST DISCLAIMS ANY EXPRESS OR IMPLIED WARRANTY WITH RESPECT TO THE USE AND/OR SALE OF ST PRODUCTS INCLUDING WITHOUT LIMITATION IMPLIED WARRANTIES OF MERCHANTABILITY, FITNESS FOR A PARTICULAR PURPOSE (AND THEIR EQUIVALENTS UNDER THE LAWS OF ANY JURISDICTION), OR INFRINGEMENT OF ANY PATENT, COPYRIGHT OR OTHER INTELLECTUAL PROPERTY RIGHT.

UNLESS EXPRESSLY APPROVED IN WRITING BY AN AUTHORIZED ST REPRESENTATIVE, ST PRODUCTS ARE NOT RECOMMENDED, AUTHORIZED OR WARRANTED FOR USE IN MILITARY, AIR CRAFT, SPACE, LIFE SAVING, OR LIFE SUSTAINING APPLICATIONS, NOR IN PRODUCTS OR SYSTEMS WHERE FAILURE OR MALFUNCTION MAY RESULT IN PERSONAL INJURY, DEATH, OR SEVERE PROPERTY OR ENVIRONMENTAL DAMAGE. ST PRODUCTS WHICH ARE NOT SPECIFIED AS "AUTOMOTIVE GRADE" MAY ONLY BE USED IN AUTOMOTIVE APPLICATIONS AT USER'S OWN RISK.

Resale of ST products with provisions different from the statements and/or technical features set forth in this document shall immediately void any warranty granted by ST for the ST product or service described herein and shall not create or extend in any manner whatsoever, any liability of ST.

ST and the ST logo are trademarks or registered trademarks of ST in various countries.

Information in this document supersedes and replaces all information previously supplied.

The ST logo is a registered trademark of STMicroelectronics. All other names are the property of their respective owners.

© 2009 STMicroelectronics - All rights reserved

STMicroelectronics group of companies

Australia - Belgium - Brazil - Canada - China - Czech Republic - Finland - France - Germany - Hong Kong - India - Israel - Italy - Japan - Malaysia - Malta - Morocco - Singapore - Spain - Sweden - Switzerland - United Kingdom - United States of America

www.st.com