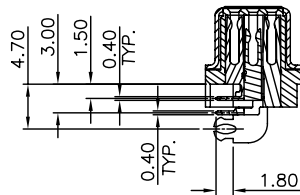
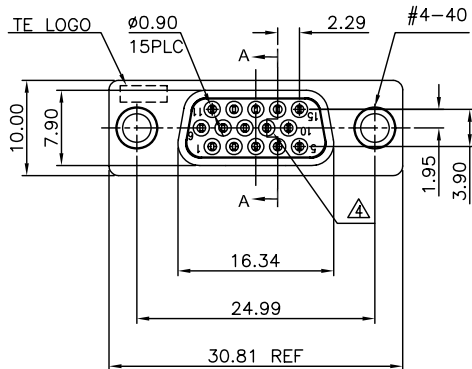
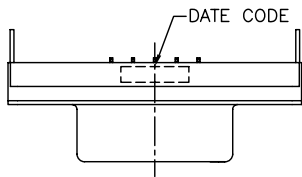
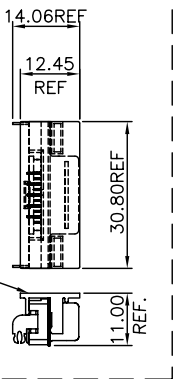


THIS DRAWING IS UNPUBLISHED. RELEASED FOR PUBLICATION AUG, 2006.  
 © COPYRIGHT BY TYCO ELECTRONICS CORPORATION. ALL RIGHTS RESERVED.

LOC	DIST	REVISIONS				
P	LTR	DESCRIPTION	DATE	DWN	APVD	
DW		C	REVISED (ECR-09-010844), OBSOLETE-1, -3	18MAY09	SC	WK

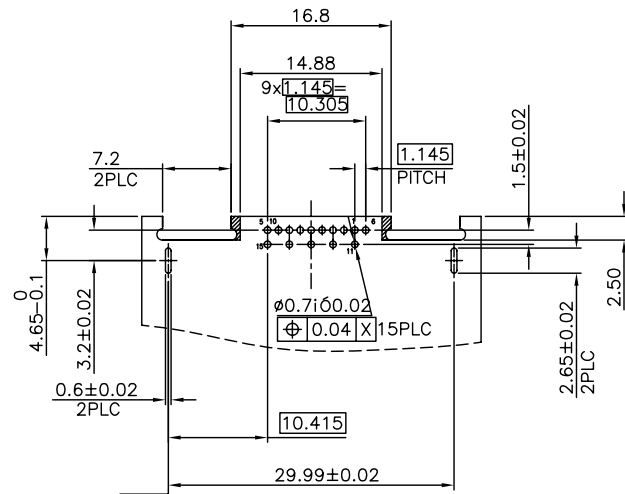
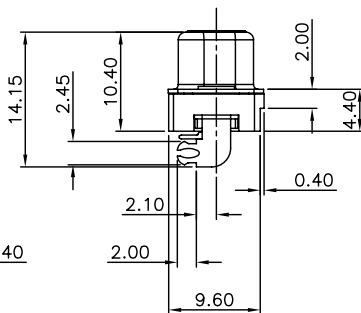
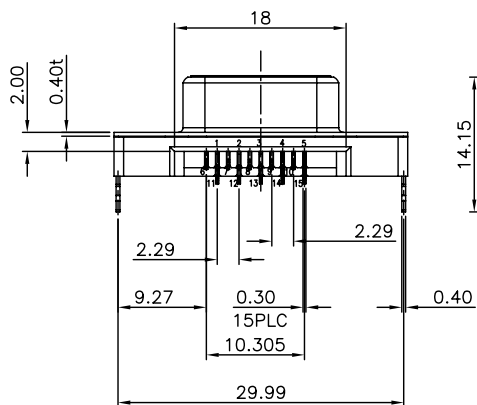


COVER FOR SMT



SCALE 1:2

- NOTES:
- MATERIAL:
    - HOUSING/COVER: THERMOPLASTIC(LCP),UL94V-0; COLOR:BLACK
    - CONTACTS: PHOSPHOR BRONZE
    - SHELL: SPCC
    - BOARDLOCK: BRASS
    - INSERTS: BRASS
  - FINISH:
    - CONTACT: GOLD PLATING(SEE TABLE) ON CONTACT AREA, 2.54µm[100µ"]MIN. MATTE TIN PLATING ON SOLDER TAILS, 1.27µm[50µ"]MIN. NICKEL UNDERPLATING OVERALL.
    - BOARDLOCK: 2.54µm[100µ"]MIN. BRIGHT TIN PLATING ON SOLDER TAILS, 1.27µm[50µ"]MIN. NICKEL UNDERPLATING OVERALL.
    - SHELL: 1.27µm[50µ"]MIN. NICKEL PLATING OVERALL, 1.27µm[50µ"]MIN. CU UNDERPLATING.
    - RIVET: 1.27µm[50µ"]MIN. NICKEL PLATING
  - REFLOW SOLDER CAPABLE TO 260°C PER TE SPEC. 109-201, CONDITION B.
  - CONTACT #9 RECESSED 1.27MM FROM OTHER CONTACTS ON MATING FACE PLANE.



RECOMMENDED PCB LAYOUT(T=1.0~1.2)  
TOLERANCE: ±0.05

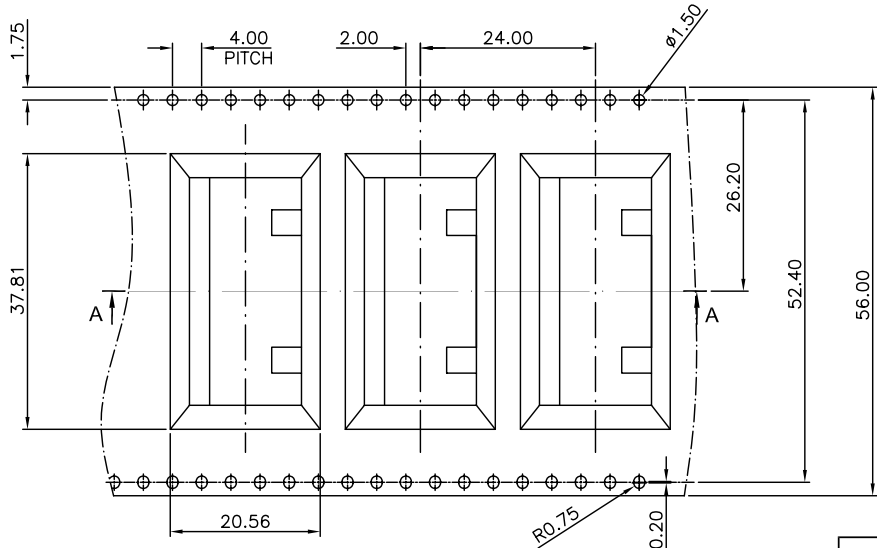
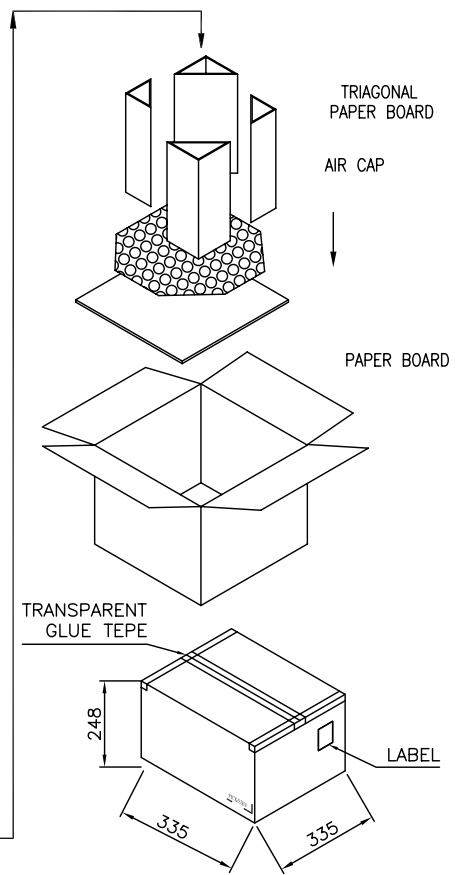
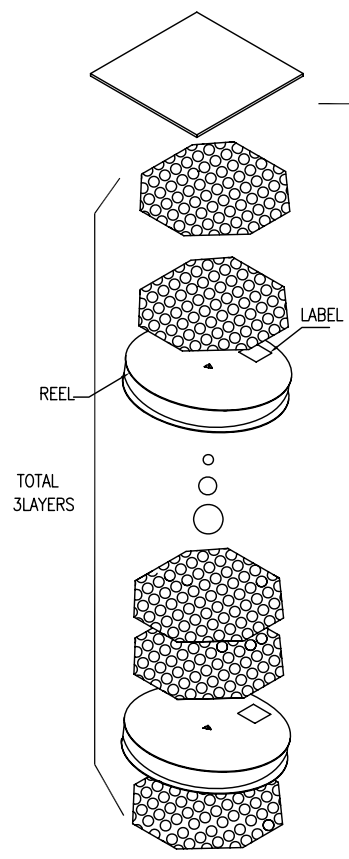
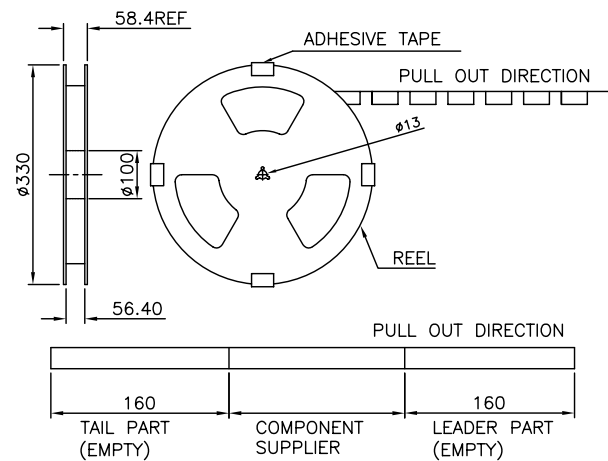
OBSOLETE	MINIMUM GOLD PLATING	PART NUMBER
0.762µm[30µ"]	0.254µm[10µ"]	1775934-3
0.254µm[10µ"]		1775934-2
		1775934-1

THIS DRAWING IS A CONTROLLED DOCUMENT.

DWN S. CHIEN 18MAY2009	Tyco Electronics Corporation Taipei, Taiwan
CHK S. CHIEN 18MAY2009	
APVD W. KODAMA 18MAY2009	NAME
PRODUCT SPEC 108-57801	D-SUB 15P, HD22, OFFSET, DIP TYPE, REVERSE
QUALIFICATION TEST REPORT 501-57830	SIZE CAGE CODE DRAWING NO
MATERIAL SEE NOTE	WEIGHT 5.35 GRAMS
FINISH SEE NOTE	A3 00779 C=1775934
	CUSTOMER DRAWING
	SCALE SHEET 1 OF 2 REV C

THIS DRAWING IS UNPUBLISHED. RELEASED FOR PUBLICATION  
 © COPYRIGHT BY TYCO ELECTRONICS CORPORATION. ALL RIGHTS RESERVED.

LOC	DIST	REVISIONS			
P	LTR	DESCRIPTION	DATE	DWN	APVD
SEE SHEET 1.					



200	3	600	5.5	2.58
PCS/ REEL	REELS/ CARTON	QUANTITY (PCS)	G/W (Kg)	N/W (Kg)

THIS DRAWING IS A CONTROLLED DOCUMENT.

DIMENSIONS: MM	TOLERANCES UNLESS OTHERWISE SPECIFIED:	DWN	Tyco Electronics Corporation Tapei, Taiwan			
	0 PLC ± -	CHK	<b>D-SUB 15P, HD22, OFFSET, DIP TYPE, REVERSE</b>			
	1 PLC ± -	APVD				
	2 PLC ± -	PRODUCT SPEC				
	3 PLC ± -	APPLICATION SPEC				
MATERIAL	FINISH	WEIGHT	SIZE	CAGE CODE	DRAWING NO	RESTRICTED TO
			A3	00779	G=1775934	
CUSTOMER DRAWING			SCALE	SHEET	REV	
				2 OF 2	C	

