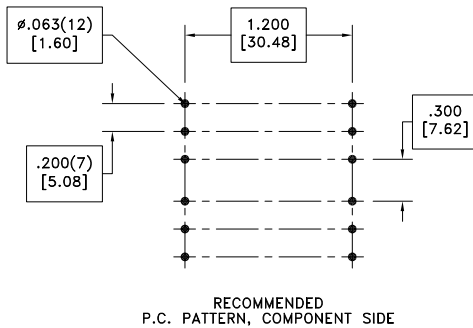
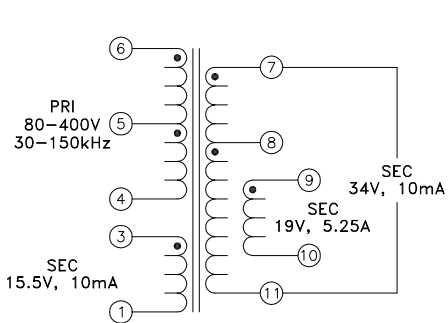
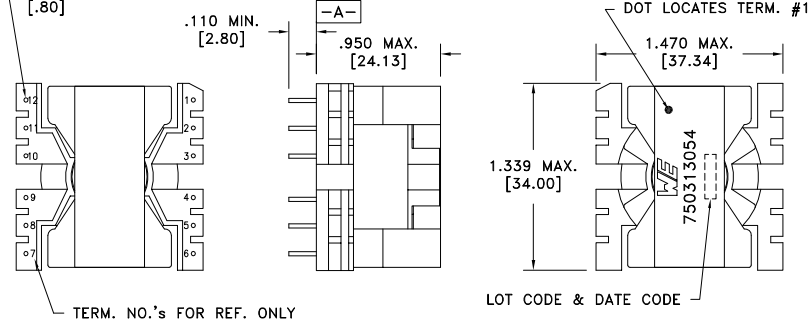


CUSTOMER TERMINAL	RoHS	LEAD(Pb)-FREE
Sn96%, Ag4%	Yes	Yes



PART MUST INSERT FULLY TO SURFACE A IN RECOMMENDED GRID  
 ø.031(12)



Application of the transformer allows for the leadwires between terminals 8&9 and 10&11 to solder bridge.

ELECTRICAL SPECIFICATIONS @ 25°C unless otherwise noted:

PARAMETER	TEST CONDITIONS	VALUE
D.C. RESISTANCE	4-6 @20°C	0.321 ohms ±10%
D.C. RESISTANCE	1-3 @20°C	0.055 ohms ±20%
D.C. RESISTANCE	7-8 @20°C	0.028 ohms max.
D.C. RESISTANCE	8-11 @20°C	0.020 ohms max.
D.C. RESISTANCE	9-10 @20°C	0.020 ohms max.
INDUCTANCE	4-6 10kHz, 100mVAC, Ls	500uH ±10%
SATURATION CURRENT	20% rolloff from initial	4.25A
LEAKAGE INDUCTANCE	4-6 tie(1+3, 7+8+9+10+11), 100kHz, 100mVAC, Ls	3.5uH typ., 7.0uH max.
DIELECTRIC	6-7 tie(3+4, 8+9), 4000VAC, 1 second	4000VAC, 1 minute
DIELECTRIC	1-6 625VAC, 1 second	500VAC, 1 minute
URNS RATIO	(6-5):(5-4)	1:1, ±1%
URNS RATIO	(6-4):(3-1)	7.2:1, ±1%
URNS RATIO	(6-4):(7-8)	9:1, ±1%
URNS RATIO	(6-4):(8-11)	6:1, ±1%
URNS RATIO	(6-4):(9-10)	6:1, ±1%

GENERAL SPECIFICATIONS:

OPERATING TEMPERATURE RANGE: -40°C to +125°C including temp rise.

Designed to comply with the following requirements as defined by IEC60950-1, EN60950-1, UL60950-1/CSA60950-1 and AS/NZS60950.1:

- Basic insulation for a primary circuit at a working voltage of 400VDC.

Wire insulation & RoHS status not affected by wire color.  
 Wire insulation color may vary depending on availability.

REV.	DATE	Packaging Specifications Method: Tray PKG-0631 www.we-online.com/midcom		Tolerances unless otherwise specified: Angles: ±1° Fractions: ±1/64 Decimals: ±.005 [ .13] Footprint: ±.001 [ .03]	DRAWING TITLE <b>TRANSFORMER</b>	PART NO. <b>750313054</b>
6B	9/13	SEE REVISION SHEET FOR REVISION LEVEL	CONVENTION PLACEMENT	This drawing is dual dimensioned. Dimensions in brackets are in millimeters.	eiSos p/n: 750313054	
6A	1/13					SPECIFICATION SHEET 1 OF 1