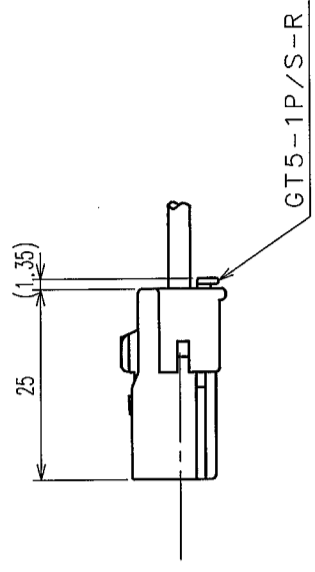
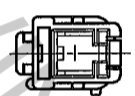
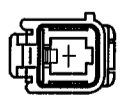
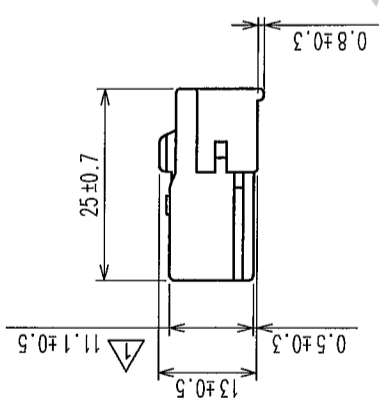
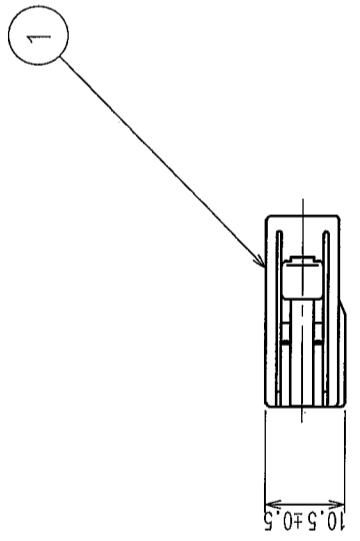


COUNT	DESCRIPTION OF REVISIONS	BY	CHKD	DATE	COUNT	DESCRIPTION OF REVISIONS	BY	CHKD	DATE
1	RE-T-00705	K.N	M.O	02.4.9					



CONNECTOR ASSEMBLED WITH A RETAINER

NOTE1. THIS CONNECTOR SHALL BE USED WITH A RETAINER  
(CL755-0006-2).

HRS DRAWING FOR REFERENCE

NO.	MATERIAL	FINISH, REMARKS	NO.	MATERIAL	FINISH, REMARKS
2			4		
1	PBT	SIGNAL BLUE	3		

CODE NO. (OLD)	DRAWN	DESIGNED	CHECKED	APPROVED	RELEASED
	K.NEI 02.2.16	K.NEI 02.2.16	M.OKADA 02.2.16	K.SAITO 02.2.16	

DRAWING NO. EDC3-165586	PART NO. GT5-1S-HU(C)
SCALE 1 : 1	CODE NO. CL755-0080-5
UNITS mm	

TO			
----	--	--	--