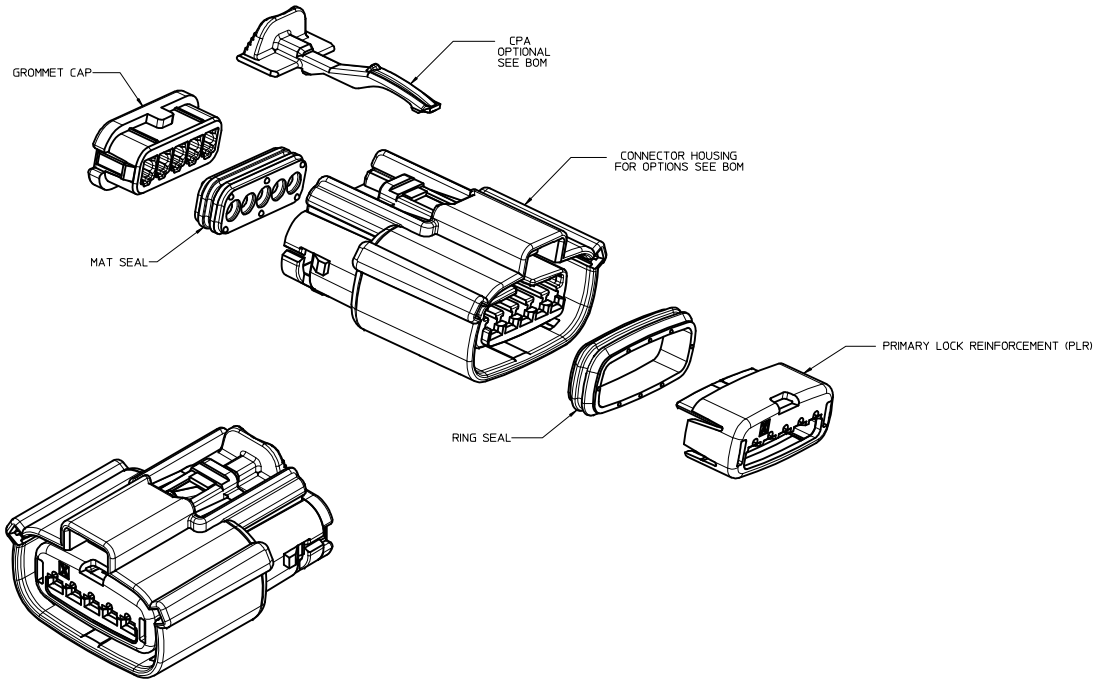


TABLE OF CONTENTS	
SHEET NO.	SHEET DESCRIPTION
1	NOTES
2	KEY CONFIGURATIONS
3	RECEPTACLE SEALED ASSEMBLY
4	BOH



NOTES: VALID UNLESS OTHERWISE SPECIFIED

1. GENERAL:
 - a. APPLICATION SPECIFICATION SEE: AS-33472-100
 - CONTAINS: PRODUCT INTRODUCTION, PRODUCT SUMMARY, CONNECTOR ASSEMBLY, PACKAGING INFORMATION, CONNECTOR MATING, SERVICE INSTRUCTIONS, ELECTRICAL CONTINUITY CHECKING, CRIMPING, AND TROUBLESHOOTING.
 - DESIGNED TO MATE WITH DEVICE CONNECTION AS SPECIFIED IN DRAWING EWCAP 150-S-005-1-Z03, AVAILABLE AT http://ewcop.uscarteams.org/
 - DESIGNED TO MATE WITH BLADE SEALED ASSEMBLY AS SPECIFIED IN DRAWING SD-33481-051
 - FOR 15mm RECEPTACLE TERMINALS TO BE USED WITH THIS ASSEMBLY, SEE MOLEX DRAWING SD-33012-002.
 - SYSTEM TO BE USED WITH WIRE WITHIN DIAMETER RANGE OF 1.2mm TO 2.69mm.
 - ASSEMBLY SHIPPED WITH PLR AND CPA IN PRE-LOCK POSITION (SEE SECTION Z-Z PRE-LOCK).
 - IN THE EVENT THAT THE PLR IS FOUND IN THE SEATED (FINAL LOCK) POSITION, REFER TO MOLEX SPECIFICATION PS-34646-001, AVAILABLE AT www.molex.com http://www.molex.com.
 - ASSEMBLY CONFORMS TO SAE/USCAR-2 REV.4 WITH THE FOLLOWING EXCEPTIONS:
 - ENGAGEMENT FORCE TO MOVE CPA FROM PRE-LOCK TO FINAL LOCK POSITION WHEN UNMATED: 40N MIN.
 - DISENGAGEMENT FORCE TO MOVE CPA FROM FINAL LOCK TO PRE-LOCK POSITION: 5N MIN, 40N MAX.
 - TERMINAL INSERTION FORCE FOR WIRE DIAMETER ABOVE 2.5mm NOT EXCEEDING 2.69mm SHALL NOT EXCEED 40 NEWTONS.
 - b. PRODUCT SPECIFICATION SEE: PS-33471-000
 - CONTAINS: PRODUCT INTRODUCTION, PRODUCT SUMMARY, RATINGS (CURRENT, TEMPERATURE, SEALING, AND FLAMMABILITY), AND PRODUCT VALIDATION.
 - c. PACKAGING SPECIFICATION PER MOLEX DRAWING: PK-31300-903
 - d. PARTS MUST BE IN COMPLIANCE TO MOLEX CHEMICAL SUBSTANCES FOR PRODUCTS AND PACKAGING SPECIFICATION: ES-40000-5016
 - e. DATA MUST BE SUBMITTED UNDER THE MOLEX PART NUMBER TO IMDS (COMPANY ID#19295)
2. DESIGN - MATERIALS:
 - a. SEE BOM TABLE
3. DESIGN - GEOMETRY:
 - a. THIS IS A 100% CAD GENERATED PART. THE CAD MATHEMATICAL DATA IS THE MASTER FOR THIS PART. FOR DIMENSIONAL OR ANY INFORMATION NOT SHOWN ON THIS DRAWING, ANALYZE THE CAD MODEL.
 - b. GEOMETRIC DIMENSIONS AND TOLERANCES PER ASME Y14.5M - 1994
 - c. EDGES AND UNDIMENSIONED DETAILS PER ISO19715
 - d. CORNERS SHOWN AS SHARP TO BE R 0.2 MAX.
 - e. LETTERING SHALL BE 0.15 MAX RAISED IN 0.25 MAX RECESS PAD. THIS INCLUDES RECYCLING CODE, CAVITY ID, VENDOR IDENTIFICATION, AND CUSTOMER MATERIAL NUMBER.
 - f. VISUAL DEFECTS SHALL MEET COSMETIC STANDARD PS-45499-002 (Class B)
 - g. LASER MARKING: TBD

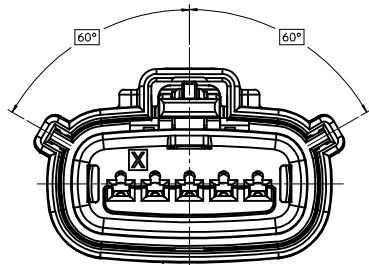
M7	ADD NEW P/N 33471-0542
M6	CHANGE THE STATUS TO SALEABLE FROM TOOLED BUT NOT VALIDATED FOR DK GREY AND ST GREY
M5	UPDATE 33471-0503 33471-0504 33471-0508 33471-0509 PRODUCTION STATUS
M4	UPDATED SHEET 3 NOMENCLATURE
M3	UPDATED PACKAGING DIMENSIONS
M2	UPDATED COMPONENT BOM
M1	UPDATED WIRE DIAMETER RANGE
M	UPDATED NOTE 1c
L	UPDATE PER PRODUCTION DESIGN
REV	DESCRIPTION

INSPECTION BALLOON NUMBER LOG	
PER DRAWING REVISION:	M3
LAST BALLOON NUMBER USED:	4
ADDED BALLOON NUMBERS:	1a, 2a
REMOVED BALLOON NUMBERS:	

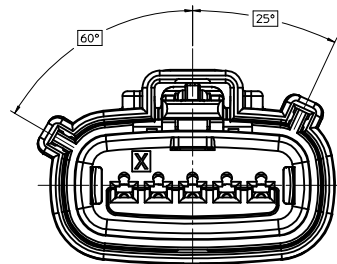
SEE REV. COLUMN EC NO: UAU2014-1363 DRAWN BY: CHYO APPR: IKOSHY REV: M7	QUALITY SYMBOLS	GENERAL TOLERANCES (UNLESS SPECIFIED)	DIMENSION STYLE	SCALE	DESIGN UNITS	THIRD ANGLE PROJECTION
	▽=0	4 PLACES ±--- ±---	MM ONLY	3:1	METRIC	☉ □
	▽=0	3 PLACES ±--- ±---	mm INCH	DRAWN BY DATE		
	▽=0	2 PLACES ±0.10 ±---	1 PLACE ±0.2 ±---	MDICK 2012/06/01	CHECKED BY DATE	
	0 PLACE ± ±	ANGULAR ± 3 °	APPROVED BY DATE			
		DRAFT WHERE APPLICABLE MUST REMAIN WITHIN DIMENSIONS	MATERIAL NO.			
			SEE BOM			
			SIZE			
			D			
			THIS DRAWING CONTAINS INFORMATION THAT IS PROPRIETARY TO MOLEX INCORPORATED AND SHOULD NOT BE USED WITHOUT WRITTEN PERMISSION			

TITLE	MX150 1X5 RECEPTACLE SEALED ASSEMBLY MAT SEAL
molex	
DOCUMENT NO.	SD-33471-051
SHEET NO.	1 OF 5

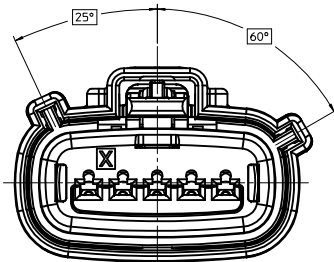
KEY CONFIGURATIONS



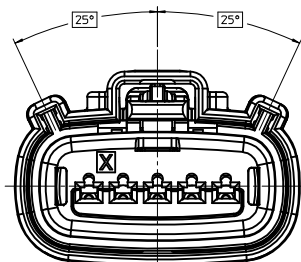
KEY A



KEY B



KEY C

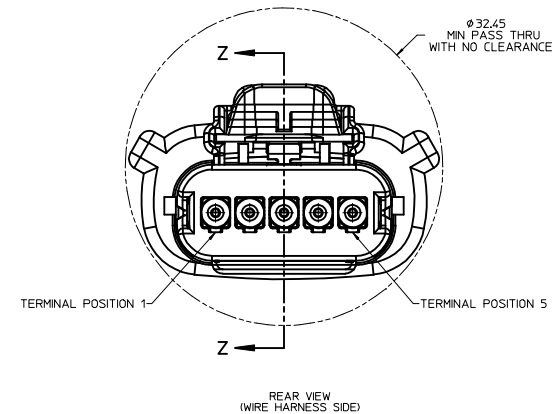
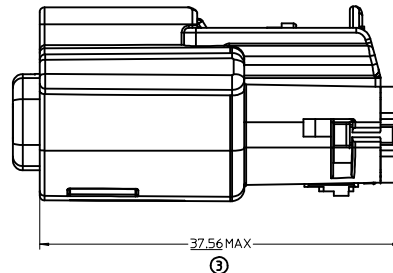
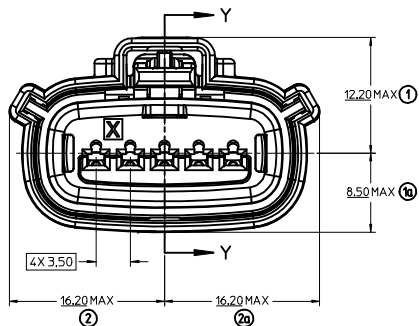
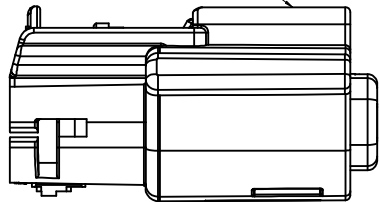


KEY D

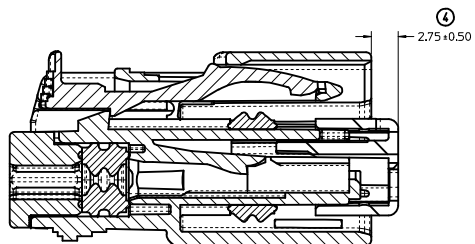
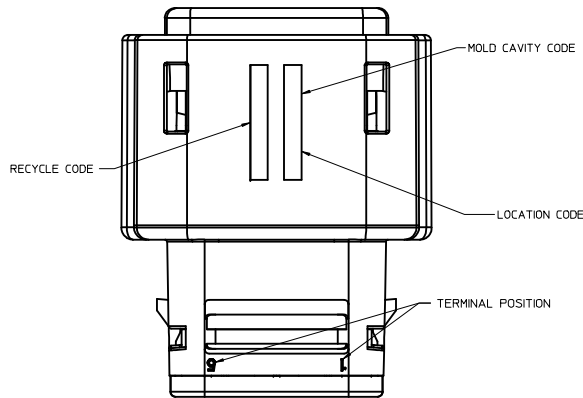
SEE REV. COLUMN SEC NO: UAU2014-1363 DRAWN BY: CHYD APPR: IKOSHY M7	2014/03/03 2014/03/05	QUALITY SYMBOLS ▽=0 ▽=0 ▽=0	GENERAL TOLERANCES (UNLESS SPECIFIED)		DIMENSION STYLE MM ONLY	SCALE 4:1	DESIGN UNITS METRIC	THIRD ANGLE PROJECTION
			4 PLACES ±.--- ±.--- 3 PLACES ±.--- ±.--- 2 PLACES ±0.10 ±.--- 1 PLACE ±0.2 ±.--- 0 PLACE ± ±.---	mm INCH	DRAWN BY: MDICK DATE: 2012/06/01	CHECKED BY: DATE	TITLE MX150 1X5 RECEPTACLE SEALED ASSEMBLY MAT SEAL	
DRAFT WHERE APPLICABLE MUST REMAIN WITHIN DIMENSIONS			ANGULAR ± 3 °		MATERIAL NO. SEE BOM	APPROVED BY: DATE	DOCUMENT NO. SD-33471-051	SHEET NO. 2 OF 5
THIS DRAWING CONTAINS INFORMATION THAT IS PROPRIETARY TO MOLEX INCORPORATED AND SHOULD NOT BE USED WITHOUT WRITTEN PERMISSION								

RECEPTACLE SEALED ASSEMBLY

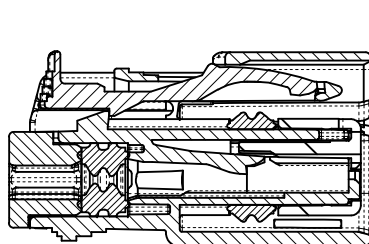
LASER MARKING ON THIS SURFACE
SEE NOTE 3g.



REAR VIEW
(WIRE HARNESS SIDE)



PRIMARY LOCK REINFORCEMENT (PLR) SHOWN
IN PRE-STAGED POSITION
SECTION Z-Z



PRIMARY LOCK REINFORCEMENT (PLR) SHOWN
IN FINAL-LOCK POSITION
SECTION Y-Y

SEE REV. COLUMN DEC NO: JAU2014-1363 DRAWN BY: 2014/03/03 CHKD: 2014/03/05 APPR: WJOSHY	QUALITY SYMBOLS ∇=0 ∇=0 ∇=0	GENERAL TOLERANCES (UNLESS SPECIFIED) mm INCH 4 PLACES ± --- ± --- 3 PLACES ± --- ± --- 2 PLACES ± 0.10 ± --- 1 PLACE ± 0.2 ± --- 0 PLACE ± ±	DIMENSION STYLE MM ONLY DRAWN BY: DATE MDICK 2012/06/01 CHECKED BY: DATE APPROVED BY: DATE	SCALE 4:1 DESIGN UNITS METRIC THIRD ANGLE PROJECTION	TITLE MX150 1X5 RECEPTACLE SEALED ASSEMBLY MAT SEAL molex	MATERIAL NO. SEE BOM DOCUMENT NO. SD-33471-051	SHEET NO. 3 OF 5
	DRAFT WHERE APPLICABLE MUST REMAIN WITHIN DIMENSIONS ANGULAR ± 3 ° SIZE D	THIS DRAWING CONTAINS INFORMATION THAT IS PROPRIETARY TO MOLEX INCORPORATED AND SHOULD NOT BE USED WITHOUT WRITTEN PERMISSION					

KEY A W/ CPA, BLACK	33471-0541	A							GCP	CPA	1	2	3	4	5	SALEABLE	
KEY D W/ CPA, STONE GRAY	33471-0540						D	GCO	CPA							SALEABLE	
KEY C W/ CPA, DARK GRAY	33471-0539						C	GCO	CPA							SALEABLE	
KEY D, STONE GRAY	33471-0538						D	GCO								SALEABLE	
KEY C, DARK GRAY	33471-0537						C	GCO								SALEABLE	
KEY A W/ CPA, BLACK	33471-0536	A						GCP	CPA		2			4		SALEABLE	
VOID KEY	33471-0535																
KEY D, GREEN	33471-0534						D	GCP			1	2	3	4	5	OBSELETE	
KEY C, BROWN	33471-0533						C	GCP			1	2	3	4	5	OBSELETE	
KEY B, LIGHT GRAY	33471-0532	B						GCP			1	2	3	4	5	TOOLED BUT NOT VALIDATED	
KEY A, BLACK	33471-0531	A						GCP			1	2	3	4	5	SALEABLE	
VOID KEY	33471-0530																
KEY D W/ CPA, GREEN	33471-0529						D	GCP	CPA		1				5	OBSELETE	
KEY C W/ CPA, BROWN	33471-0528						C	GCP	CPA		1				5	OBSELETE	
KEY B W/ CPA, LIGHT GRAY	33471-0527	B						GCP	CPA		1				5	TOOLED BUT NOT VALIDATED	
KEY A W/ CPA, BLACK	33471-0526	A						GCP	CPA		1				5	SALEABLE	
VOID KEY	33471-0525																
KEY D, GREEN	33471-0524						D	GCP			1				5	OBSELETE	
KEY C, BROWN	33471-0523						C	GCP			1				5	OBSELETE	
KEY B, LIGHT GRAY	33471-0522	B						GCP			1				5	TOOLED BUT NOT VALIDATED	
KEY A, BLACK	33471-0521	A						GCP			1				5	SALEABLE	
VOID KEY	33471-0520																
KEY D W/ CPA, GREEN	33471-0519						D	GCP	CPA						5	OBSELETE	
KEY C W/ CPA, BROWN	33471-0518						C	GCP	CPA						5	OBSELETE	
KEY B W/ CPA, LIGHT GRAY	33471-0517	B						GCP	CPA						5	TOOLED BUT NOT VALIDATED	
KEY A W/ CPA, BLACK	33471-0516	A						GCP	CPA						5	SALEABLE	
VOID KEY	33471-0515																
KEY D, GREEN	33471-0514						D	GCP							5	OBSELETE	
KEY C, BROWN	33471-0513						C	GCP							5	OBSELETE	
KEY B, LIGHT GRAY	33471-0512	B						GCP							5	TOOLED BUT NOT VALIDATED	
KEY A, BLACK	33471-0511	A						GCP							5	SALEABLE	
VOID KEY	33471-0510																
KEY D W/ CPA, GREEN	33471-0509						D	GCO	CPA							NOT RECOMMENDED USE, PLEASE USE 33471-0540	
KEY C W/ CPA, BROWN	33471-0508						C	GCO	CPA							NOT RECOMMENDED USE, PLEASE USE 33471-0539	
KEY B W/ CPA, LIGHT GRAY	33471-0507	B						GCO	CPA							TOOLED BUT NOT VALIDATED	
KEY A W/ CPA, BLACK	33471-0506	A						GCO	CPA							SALEABLE	
VOID KEY	33471-0505																
KEY D, GREEN	33471-0504						D	GCO								NOT RECOMMENDED USE, PLEASE USE 33471-0538	
KEY C, BROWN	33471-0503						C	GCO								NOT RECOMMENDED USE, PLEASE USE 33471-0537	
KEY B, LIGHT GRAY	33471-0502	B						GCO								TOOLED BUT NOT VALIDATED	
KEY A, BLACK	33471-0501	A						GCO								SALEABLE	
ASSEMBLY DESCRIPTION	ASSEMBLY PART NUMBER	A	B	C	D	D	D	GCP	CPA		1	2	3	4	5	STATUS	COMMENTS

DESCRIPTION	COLOR	MATERIAL
MAT SEAL	ROYAL BLUE	INHERENTLY LUBRICATED SILICONE
RING SEAL	ROYAL BLUE	INHERENTLY LUBRICATED SILICONE
PLR	NATURAL	SPS/NYLON GF20
CPA	RED	PBT GF30
GROMMET CAP (PLUGGED)	BLACK	SPS/NYLON GF20
GROMMET CAP (OPEN)	BLACK	SPS/NYLON GF20
HOUSING KEYING OPTION D	STONE GRAY	SPS/NYLON GF20
HOUSING KEYING OPTION C	DARK GRAY	SPS/NYLON GF20
HOUSING KEYING OPTION D	GREEN	SPS/NYLON GF20
HOUSING KEYING OPTION C	BROWN	SPS/NYLON GF20
HOUSING KEYING OPTION B	LIGHT GRAY	SPS/NYLON GF20
HOUSING KEYING OPTION A	BLACK	SPS/NYLON GF20

ABREVIATION	COMPONENT
A	HOUSING KEY A
B	HOUSING KEY B
C	HOUSING KEY C
D	HOUSING KEY D
GCO	GROMMET CAP (OPEN)
GCP	GROMMET CAP (PLUGGED)
M	MAT SEAL
R	RING SEAL
P	PLR, STANDARD
CPA	CPA

SEE REV. COLUMN 5 SEC NO: UAU2014-1363 DRAWN BY: M7 CHKD: APPR: IKOSHY REV DESCRIPTION: 2014/03/05	QUALITY SYMBOLS ∇=0 ∇=0 ∇=0	GENERAL TOLERANCES (UNLESS SPECIFIED): 4 PLACES ± .10 INCH 3 PLACES ± .12 INCH 2 PLACES ± 0.10 INCH 1 PLACE ± 0.2 INCH 0 PLACE ± INCH ANGULAR ± 3 ° DRAFT WHERE APPLICABLE MUST REMAIN WITHIN DIMENSIONS	DIMENSION STYLE: MM ONLY SCALE: 2:1 DESIGN UNITS: METRIC THIRD ANGLE PROJECTION	DRAWN BY: MDICK DATE: 2012/06/01 CHECKED BY: DATE: APPROVED BY: DATE:	TITLE: MX150 1X5 RECEPTACLE SEALED ASSEMBLY MAT SEAL molex	MATERIAL NO.: SEE BOM DOCUMENT NO.: SD-33471-051 SHEET NO.: 4 OF 5
	THIS DRAWING CONTAINS INFORMATION THAT IS PROPRIETARY TO MOLEX INCORPORATED AND SHOULD NOT BE USED WITHOUT WRITTEN PERMISSION					

(M7)	KEY A W/CPA, YELLOW	33471-0542																SALEABLE					
			A	B	C	D	C	D	A	GCO	GCP	CPA	1	2	3	4	5	STATUS					COMMENTS
ASSEMBLY DESCRIPTION	ASSEMBLY PART NUMBER	BLOKED TERMINAL																					
CAVITY WITH A NUMBER INDICATES BLOKED TERMINAL POSITION																		CAVITY WITHOUT A NUMBER INDICATES OPEN TERMINAL POSITION					

DESCRIPTION	COLOR	MATERIAL
BOM/APPLICABLE COMPONENTS TABLE		
MAT SEAL	ROYAL BLUE	INHERENTLY LUBRICATED SILICONE
RING SEAL	ROYAL BLUE	INHERENTLY LUBRICATED SILICONE
PLR	NATURAL	SPS/NYLON GF20
CPA	RED	PBT GF30
GROMMET CAP (PLUGGED)	BLACK	SPS/NYLON GF20
GROMMET CAP (OPEN)	BLACK	SPS/NYLON GF20
HOUSING KEYING OPTION A	YELLOW	SPS/NYLON GF20
HOUSING KEYING OPTION D	STONE GRAY	SPS/NYLON GF20
HOUSING KEYING OPTION C	DARK GRAY	SPS/NYLON GF20
HOUSING KEYING OPTION D	GREEN	SPS/NYLON GF20
HOUSING KEYING OPTION C	BROWN	SPS/NYLON GF20
HOUSING KEYING OPTION B	LIGHT GRAY	SPS/NYLON GF20
HOUSING KEYING OPTION A	BLACK	SPS/NYLON GF20

ENTER DESCRIPTION ELEC NO. UAU2014-1363 DRAWN BY: 2014/03/08 CHKD: M7 APPR: WQSHY 2014/03/05 REVISION DESCRIPTION	QUALITY SYMBOLS $\nabla=0$ $\nabla=0$ $\nabla=0$	GENERAL TOLERANCES (UNLESS SPECIFIED) <table border="1"> <tr> <th></th> <th>mm</th> <th>INCH</th> </tr> <tr> <td>4 PLACES</td> <td>± 0.10</td> <td>± 0.004</td> </tr> <tr> <td>3 PLACES</td> <td>± 0.15</td> <td>± 0.006</td> </tr> <tr> <td>2 PLACES</td> <td>± 0.20</td> <td>± 0.008</td> </tr> <tr> <td>1 PLACE</td> <td>± 0.25</td> <td>± 0.010</td> </tr> <tr> <td>0 PLACE</td> <td>± 0.30</td> <td>± 0.012</td> </tr> </table> ANGULAR $\pm 3^\circ$ DRAFT WHERE APPLICABLE MUST REMAIN WITHIN DIMENSIONS		mm	INCH	4 PLACES	± 0.10	± 0.004	3 PLACES	± 0.15	± 0.006	2 PLACES	± 0.20	± 0.008	1 PLACE	± 0.25	± 0.010	0 PLACE	± 0.30	± 0.012	DIMENSION STYLE MM ONLY DRAWN BY: MDICK DATE: 2012/06/01 CHECKED BY: DATE: APPROVED BY: DATE:	SCALE: 2:1 DESIGN UNITS: METRIC THIRD ANGLE PROJECTION	TITLE: MX150 1X5 RECEPTACLE SEALED ASSEMBLY MAT SEAL molex MATERIAL NO.: SEE BOM DOCUMENT NO.: SD-33471-051 SHEET NO.: 5 OF 5
		mm	INCH																				
4 PLACES	± 0.10	± 0.004																					
3 PLACES	± 0.15	± 0.006																					
2 PLACES	± 0.20	± 0.008																					
1 PLACE	± 0.25	± 0.010																					
0 PLACE	± 0.30	± 0.012																					
THIS DRAWING CONTAINS INFORMATION THAT IS PROPRIETARY TO MOLEX INCORPORATED AND SHOULD NOT BE USED WITHOUT WRITTEN PERMISSION																							