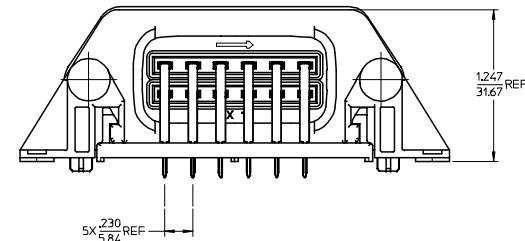
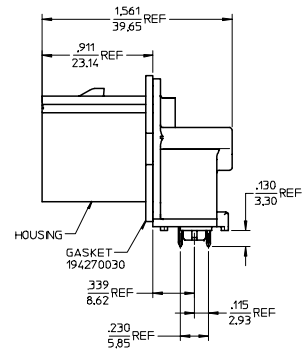
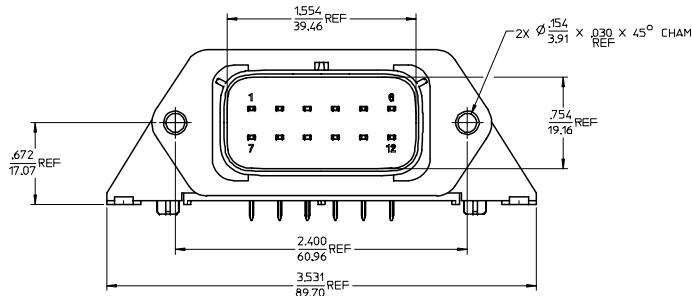


RECOMMENDED PCB LAYOUT COMPONENTS SIDE TOLERANCES ARE NON-ACCUMULATIVE



NOTES:

1. MATERIALS:
HOUSING: POLYESTER (PBT), GLASS FILLED, UL94 V-0.
COLOR: BLACK
TERMINALS: COPPER ALLOY
2. FINISHES: 1. TIN ONLY: 100µN TIN OVER 50µN NICKEL
2. TIN/GOLD: 30µN SELECT GOLD (CONTACT MATING AREA),
100µN SELECT TIN (PCB TAIL AREA) OVER 50µN NICKEL OVERALL.
3. PRODUCT SPECIFICATION: PS-19427-001.
4. PACKAGING SPECIFICATION: PK-19427-001.
5. MATES WITH: 19418 SERIES RECEPTACLE ASSEMBLIES.
6. RECOMMENDED MOUNTING HARDWARE: (2) #10 X .62/18.9 LONG PLASTIC
THREAD CUTTING SCREWS. RECOMMENDED TORQUE 15-17 IN.-LBS.
SUGGESTED SOURCE: ITW SHAKEPROOF INDUSTRIAL BOSSCREW OR EQUIVALENT.

MATERIAL NO.	TERMINAL PLATING
194270100	TIN
194270116	TIN/GOLD

REVISED ETC NO: ETC2006-0028 2005/10/16 DRW: JPANLUK 2005/10/11 CHK: JPANLUK 2005/10/11 APP: RDEROSS 2005/10/11	QUALITY SYMBOLS	GENERAL TOLERANCES (UNLESS SPECIFIED)	DIMENSION STYLE	SCALE	DESIGN UNITS	THIRD ANGLE PROJECTION	
	▽=0 ▽=0	4 PLACES ± .015 3 PLACES ± .015 2 PLACES ± 0.38 1 PLACE ± .015 ANGULAR ± 1°	IN/MM INCH	2:1	INCH	THIRD ANGLE PROJECTION	
	DRAWN BY: DMYRICK CHECKED BY: JPANLUK APPROVED BY: RDEROSS	DATE: 04/07/27 DATE: 04/07/27 DATE: 04/07/27	DRAWN BY: DMYRICK CHECKED BY: JPANLUK APPROVED BY: RDEROSS	DATE: 04/07/27 DATE: 04/07/27 DATE: 04/07/27	SCALE: 2:1 DESIGN UNITS: INCH	THIRD ANGLE PROJECTION	TITLE: 12 WAY RIGHT ANGLE HEADER ASSEMBLY WITH MOUNTING HOLES MOLEX INCORPORATED
	DRAFT WHERE APPLICABLE MUST REMAIN WITHIN DIMENSIONS	SEE CHART	MATERIAL NO. SD-19427-016 DOCUMENT NO. SD-19427-016	SHEET NO. 1 OF 1	THIS DRAWING CONTAINS INFORMATION THAT IS PROPRIETARY TO MOLEX INCORPORATED AND SHOULD NOT BE USED WITHOUT WRITTEN PERMISSION		