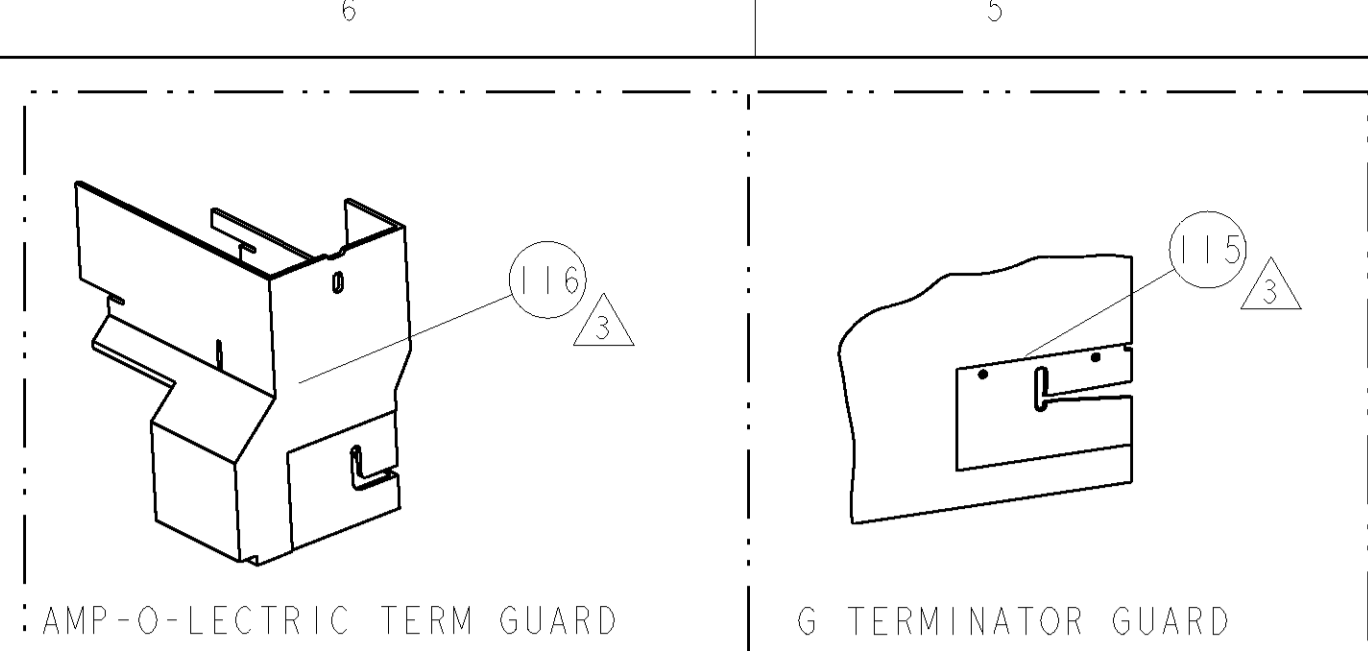


PART NUMBER	REV	FIRST USED	POWER UNIT	FEED TYPE	DESCRIPTION
1855250-1	A	122500-1	LEADMAKER	AIR FEED	CUTS CARRIER
1855250-2	A	565435-5	BENCH MODEL K	AIR FEED	CUTS CARRIER
1855250-3	A	354500-1	BENCH MODEL G	AIR FEED	CUTS CARRIER
1855250-6	A	122500-1	LEADMAKER	AIR FEED	CONTINUOUS CARRIER
7-1855250-7	A	-	-	-	SPARE PARTS

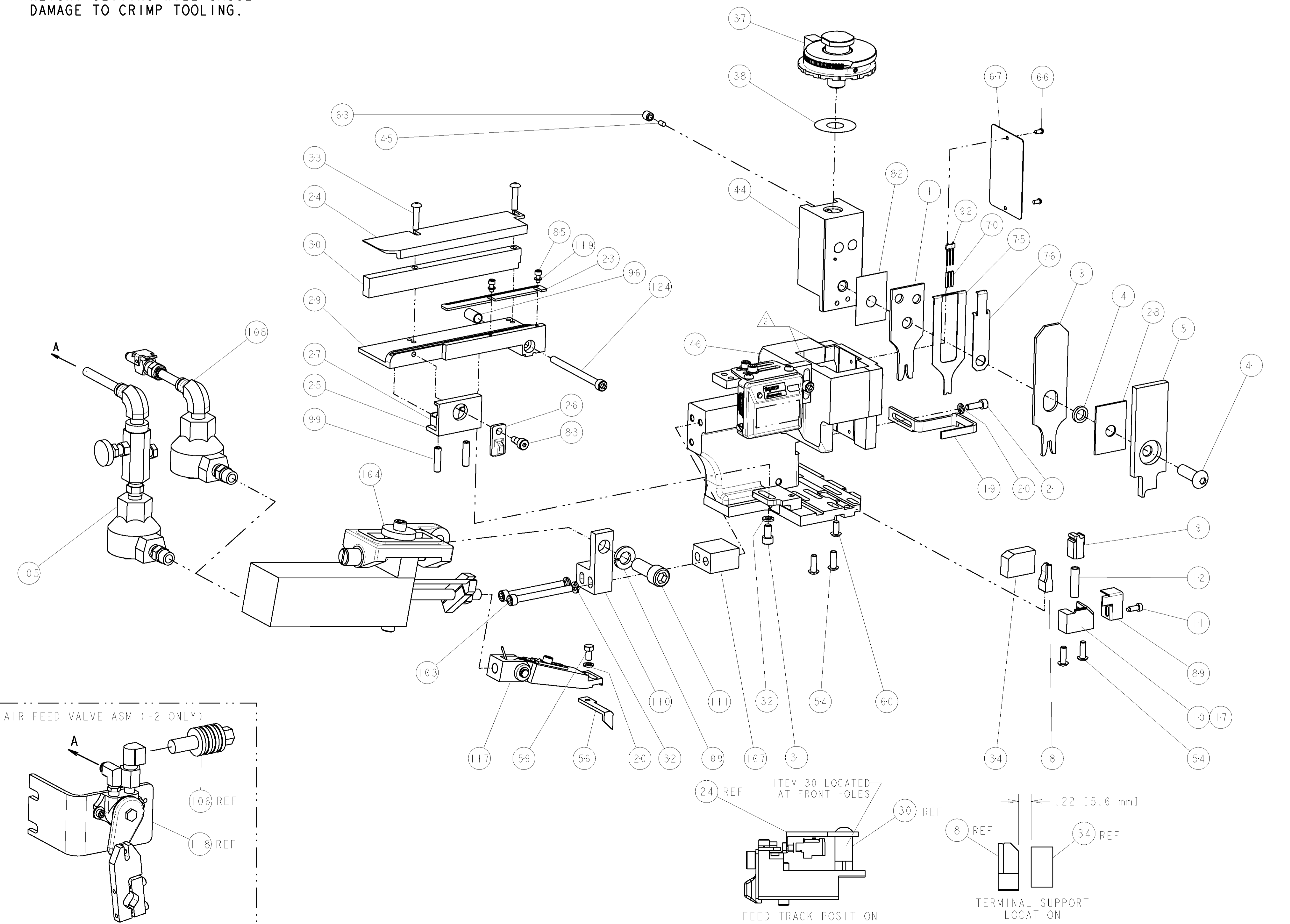


TERMINAL NAME: T-20 CROOUND TERMINAL, SINGLE CRIMP				
TYCO PN	MANUF PN	CHRISTIANA IND TERMINAL - AMP CRIMP SPECS		
1949329	1302158			
		CRIMP HEIGHT	WIRE SIZE	REF SETTING
		2.02±0.05mm [.080±.002]	18AWG	B0
		1.88±0.05mm [.074±.002]	20AWG	C0
		CRIMP	SIZE	TYPE
		WIRE	1.78mm [.070]	F
		INSUL	3.30mm [.130]	F
				∅.100 MAX
WIRE STRIP LENGTH	TERM APPL SPEC	FEED	APPLICATOR INSTRUCTIONS	SET UP GAGE
.116 -.131	NONE	1.280	408-8040	458637-1

LOC	DIST	REVISIONS					
A	66	P	LTR	DESCRIPTION	DATE	DWN	APPR
		A		RELEASED	11JUN2007	MEH	GB

- △ RECOMMENDED SPARE PARTS
- △ GREASE LIGHTLY
- △ GUARD MUST BE IN PLACE WHEN OPERATING APPLICATOR IN A BENCH MACHINE

*** WARNING**
ON INSTALLATION, SET WIRE DISC TO LARGEST WIRE SIZE SETTING. USE OF SETTINGS BELOW MIN. REQUIRED CRIMP HEIGHT SETTING WILL CAUSE DAMAGE TO CRIMP TOOLING.



QTY	REV	DESCRIPTION	ITEM NO
- 1	1	8-21000-7 SCR, SKT HD CAP 10-32 X 2.500	124
- 2	2	21024-2 WASHER, SPRG LOCK, REG NO 4	119
- -	-	692655-6 AIR FEED VALVE ASSEMBLY	118
- 1	1	461062-1 FEED FINGER ASSEMBLY	117
- -	-	455749-1 GUARD WINDOW	116
- -	-	679532-1 INSERT, GUARD	115
- 1	1	3-21001-5 SCR, SKT HD CAP 3/8-16 X 1.000	111
- 1	1	459610-9 MOUNT, FEED BRACKET	110
- 1	1	21024-8 WASHER, SPRG LOCK, REG 3/8	109
- 1	1	692655-7 AIR FEED VALVE ASSEMBLY	108
- 1	1	461690-1 SPACER, AIR FEED	107
- -	-	24024-2 VALVE, SHUT OFF	106
- -	-	692655-5 AIR FEED VALVE ASSEMBLY	105
- 1	1	461065-2 ASSEMBLY, AIR FEED	104
- 2	2	4-21000-3 SCR, SKT HD CAP 10-32 X 2.000	103
- 2	2	5-21006-6 SCR, SET, CUP POINT 10-32 X .750	99
- 1	1	1-22281-8 SPRING, COMPRESSION	96
- 1	1	1424350-1 HOLDER, PIN, WIRED	92
- 1	1	318563-1 GUARD, FRONT CHIP	89
- 2	2	1-21000-3 SCR, SKT HD CAP 4-40 X .250	85
- 1	1	21989-8 SCR, SKT HD SHLDR 3/16 DIA X .250	83
- 1	1	455888-1 SPACER, CRIMPER	82
- 1	1	1490524-1 DEPRESSOR, SPACER	76
- 1	1	1490525-3 DEPRESSOR, WIRE	75
- 1	1	4088040 SF APPL INST 408-8040	72
- 1	1	217238-1 GENERAL INSTRUCTION PKG	71
- 3	3	2-23147-2 SPRING, COMPRESSION	70
- 1	1	461264-5 PLATE, IDENTIFICATION	67
- 2	2	21017-2 SCREW, DRIVE	66
- 1	1	21009-2 SCR, SET, SELF LOCKING 1/4-20 X .250	63
- 1	1	22733-8 SCR, BHSC, SELF-LOCKING, 8-32 X .375	60
- 1	1	2-22603-0 SCR, HEX HD CAP 8-32 X .312	59
- 1	1	4-694433-7 FEED PAWL	56
- 4	4	2-21002-2 SCR, BTN SKT HD CAP 8-32 X .500	54
- 1	1	1633399-1 APPL. BASIC AIR FEED SUB ASSY	46
- 1	1	690191-1 PLUG, NYLON	45
- 1	1	1-455673-4 RAM, SIDE FEED	44
- 1	1	7-21002-9 SCR, BTN SKT HD CAP 5/16-24 X 1.00	41
- 1	1	469367-3 SHIM	38
- 1	1	879103-2 FINE ADJUST HEAD ASSEMBLY	37
- 1	1	5-690786-7 TERMINAL SUPPORT	34
- 2	2	2-21002-4 SCR, BTN SKT HD CAP 8-32 X .750	33
- 3	3	21024-5 WASHER, SPRG LOCK, REG NO 10	32
- 1	1	3-21000-4 SCR, SKT HD CAP 10-32 X .375	31
- 1	1	1-1320908-9 SPACER, STRIP GUIDE	30
- 1	1	1-1633087-3 PLATE, STRIP GUIDE	29
- 1	1	1-455888-0 SPACER, CRIMPER	28
- 2	2	1-22284-0 SPRING, COMPRESSION	27
- 1	1	356835-1 LEVER, DRAG RELEASE	26
- 1	1	240792-1 DRAG, TERMINAL	25
- 1	1	1-1320928-4 PLATE, STRIP GUIDE	24
- 1	1	2-690438-0 FRONT STRIP GUIDE	23
- 2	2	2-21000-7 SCR, SKT HD CAP 8-32 X .500	21
- 2	2	21024-4 WASHER, SPRG LOCK, REG NO 8	20
- 1	1	456468-5 STRIPPER, SPECIAL	19
- 1	1	679625-1 SHEAR HOLDER, FRONT (NO CUT)	17
- 1	1	3-22280-3 SPRING, COMPRESSION	12
- 1	1	690461-1 STOP, SHEAR	11
- -	-	690459-1 SHEAR HOLDER, FRONT	10
- 1	1	462006-1 FLOATING SHEAR, FRONT	9
1	1	2-1633108-0 ANVIL, COMBINATION .070	8
- 1	1	2-455889-0 DEPRESSOR, SHEAR	5
- 1	1	1-238011-0 BLOCK, CRIMPER SPACER	4
1	1	4-456134-4 CRIMPER, INSULATION F PREMIUM	3
1	1	456404-5 CRIMPER, WIRE PREMIUM	1

DIMENSIONS:		TOLERANCES UNLESS OTHERWISE SPECIFIED:		MATERIAL:		FINISH:	
INCHES		0 PLC	±				
		1 PLC	±0.1				
		2 PLC	±0.01				
		3 PLC	±0.001				
		4 PLC	±0.0001				
		ANGLES	±0.0001				

DATE	27MAR2006	DRAWN	HERR
CHK	27MAR2007	APP'D	BENCHOE
REV	27MAR2007	NAME	BENCHOE
PRODUCT SPEC		APPLICATOR SPEC	
SIZE	A1	CAGE CODE	00779
DRAWING NO		SCALE	3:5
REVISIONS		SHEET	1 OF 1
REV	A	REV	A

CUSTOMER VIEWABLE ASSEMBLY