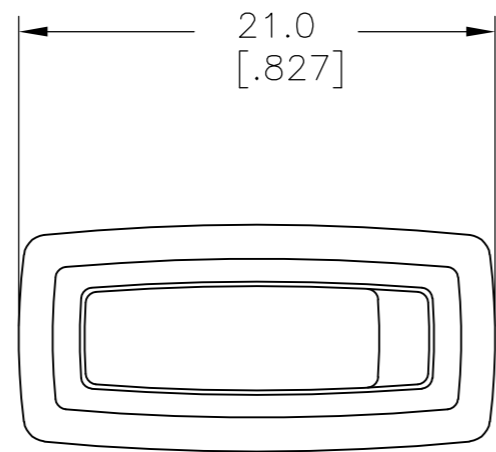
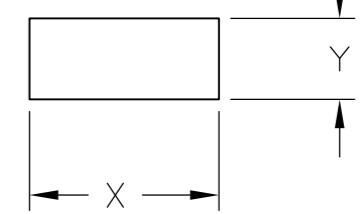


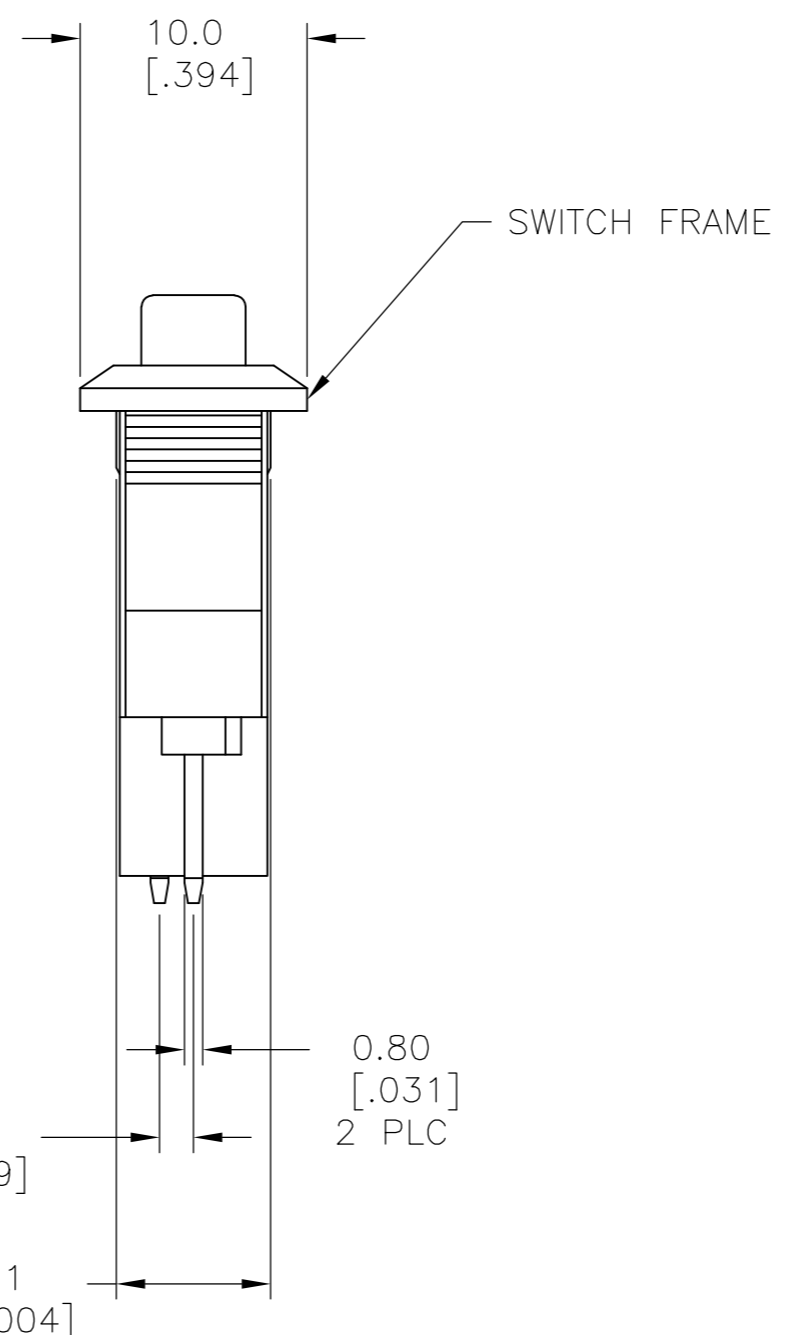
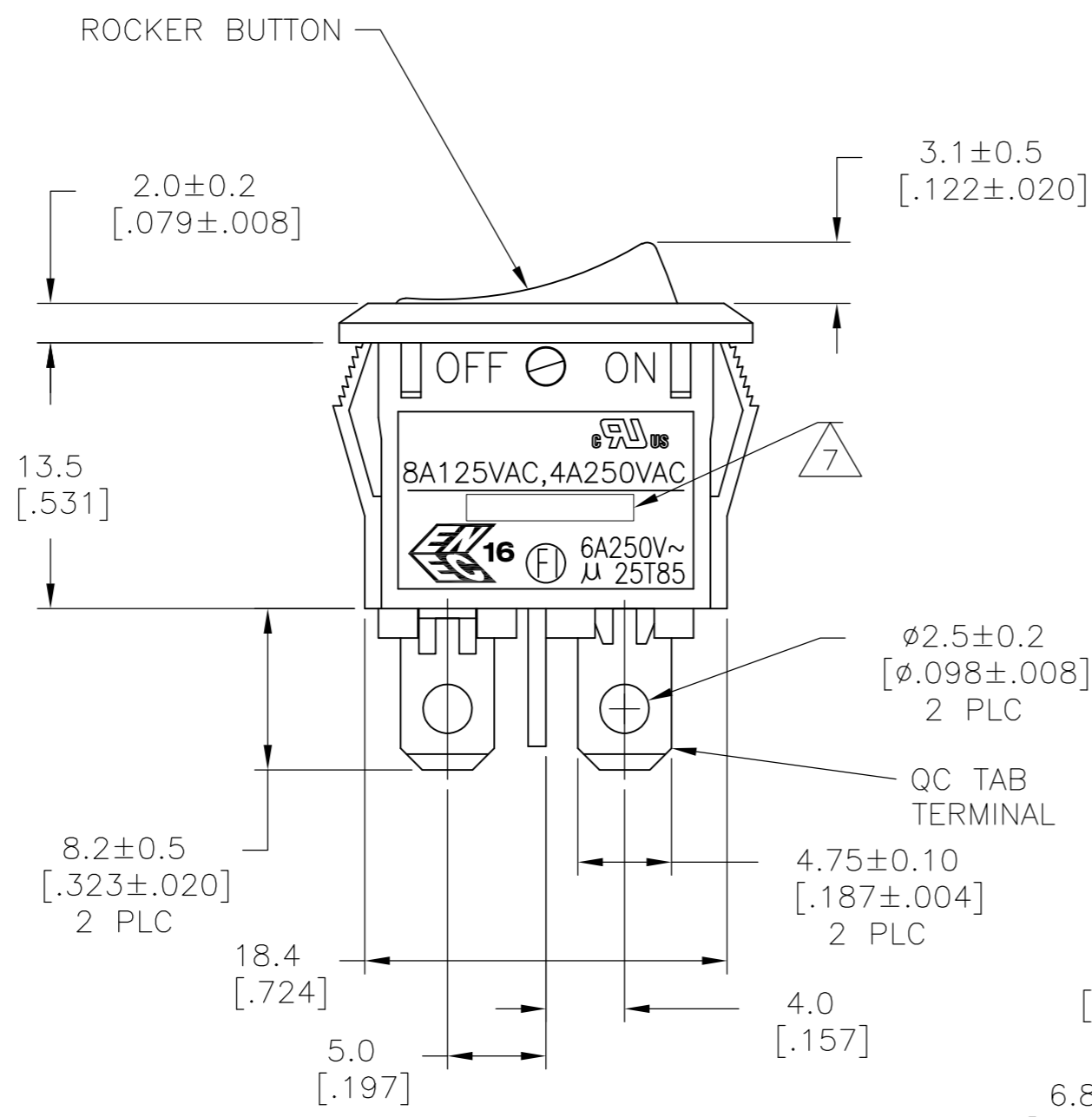
THIS DRAWING IS UNPUBLISHED. RELEASED FOR PUBLICATION
 © COPYRIGHT BY TYCO ELECTRONICS CORPORATION. ALL RIGHTS RESERVED.

LOC	DIST	REVISIONS			
P	LTR	DESCRIPTION	DATE	DWN	APVD
AD	00	E2	REVISED PER ECO-10-010249	17MAY10	HMR NE

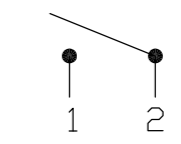
PANEL CUT OUT



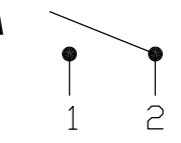
2.00-3.00 [.079-.118]	19.8 -0.1 [.780 -.004]	7.0 +0.1 [.276 +.004]
1.25-2.00 [.049-.079]	19.4 -0.1 [.764 -.004]	7.0 +0.1 [.276 +.004]
0.75-1.25 [.030-.049]	19.2 -0.1 [.756 -.004]	7.0 +0.1 [.276 +.004]
PANEL THICKNESS	X	Y



SWITCH FUNCTION A1
CIRCUIT DIAGRAM



SWITCH FUNCTION A3
CIRCUIT DIAGRAM

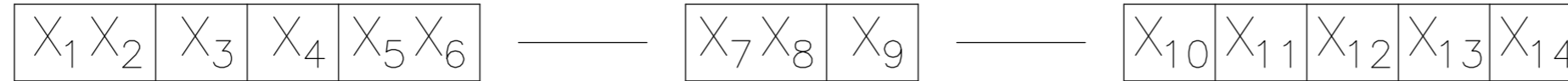


THIS DRAWING IS A CONTROLLED DOCUMENT.		DWN M.BINNER 18JUN2003	Tyco Electronics Corporation Harrisburg, PA 17057	
DIMENSIONS: MM		CHK J.MOSIER	NAME POWER ROCKER SWITCH, 7.0mm X 19.2mm PANEL CUT-OUT SIZE, SINGLE POLE, SINGLE THROW, TWO TERMINALS, NON-ILLUMINATED	
TOLERANCES UNLESS OTHERWISE SPECIFIED:		APVD -	PRODUCT SPEC NOT APPLICABLE	
0 PLC ± -		APPLICATION SPEC NOT APPLICABLE		
1 PLC ± 0.30 [.012]		SIZE A2	CAGE CODE 00779	DRAWING NO C=1571500
2 PLC ± 0.05 [.002]		RESTRICTED TO -		
3 PLC ± -		SCALE 3:1		
4 PLC ± -		SHEET 1 OF 2		
ANGLES ± -		REV E2		
FINISH		CUSTOMER DRAWING		

THIS DRAWING IS UNPUBLISHED. RELEASED FOR PUBLICATION
 © COPYRIGHT BY TYCO ELECTRONICS CORPORATION. ALL RIGHTS RESERVED.

LOC	DIST	REVISIONS					
AD	00	P	LTR	DESCRIPTION	DATE	DWN	APVD
		-		SEE SHEET 1	-	-	-

LEGACY PART NUMBER



SWITCH TYPE: X1X2 = PR - POWER ROCKER

NOMINAL PANEL CUT OUT SIZE: X3 = H - 7.0x19.2 [.276x.756]

NUMBER OF POLES: X4 = S - SINGLE

SWITCH FUNCTION: X5X6 = A1 - ON-OFF, WITH OPAQUE, SINGLE-COLOR ROCKER BUTTON
A3 - (ON)-OFF, WITH OPAQUE, SINGLE-COLOR ROCKER BUTTON

CURRENT RATING: X7X8 = 08 - △6

TERMINAL TYPE: X9 = F - QC TAB

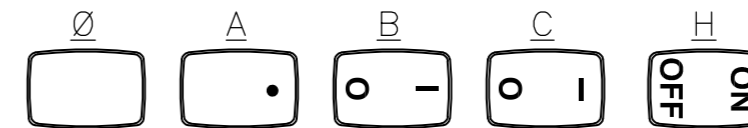
FRAME COLOR: X10 = B - BLACK
W - WHITE

ROCKER COLOR: X11 = B - BLACK
G - GREEN
R - RED
W - WHITE

SECONDARY ROCKER COLOR: X12 = ∅ - NOT APPLICABLE

- B - BLACK
- G - GREEN
- R - RED
- W - WHITE

LEGEND TEXT PATTERN: X13 =



LEGEND TEXT COLOR: X14 = ∅ - NOT APPLICABLE

- R - RED
- B - BLACK
- W - WHITE

△1 **MATERIALS:**
 ROCKER BUTTON, HOUSING FRAME & RETURN SPRING
 SUPPORT(MOMENTARY ACTION TYPE) : NYLON 66, UL94 V-2.
 TERMINALS: COPPER ALLOY PER ASTM B152/B152M.
 ACTIVE CONTACTOR: COPPER ALLOY PER ASTM B194.
 CONTACT: SILVER-TIN OXIDE.
 SPRING: STEEL WIRE PER ASTM A228/A228M

△2 **FINISH:**
 TERMINALS, ACTIVE CONTACTOR: 1.0µm [.000039] MIN SILVER

3 **ELECTRICAL SPECIFICATIONS:**
 CURRENT AND VOLTAGE: △6
 CONTACT RESISTANCE (INITIAL): <50mΩ
 DIELECTRIC STRENGTH (INITIAL): >1000 VAC, 1 MINUTE
 INSULATION RESISTANCE (INITIAL): >100MΩ MIN (500VDC BETWEEN OPEN CONTACTS)
 INRUSH CURRENT: 50A / 3msec (CAPACITIVE LOAD)
 ELECTRICAL LIFE ENDURANCE: >6000 OPERATIONS,
 TEMPERATURE RISE AT TERMINALS: <30°C, 6000 OPERATIONS (AMBIENT CONDITIONS: 25±2°C AND 65±5%R.H)

4 **MECHANICAL SPECIFICATIONS:**
 ACTUATING FORCE: 100g MIN, 650g MAX
 OPERATING LIFE ENDURANCE: >100,000 OPERATIONS
 TERMINAL STRENGTH >10.0kg- QC TAB

5 **ENVIRONMENTAL SPECIFICATIONS:**
 AMBIENT TEMPERATURE: -25°C TO +85°C
 HUMIDITY: MAX 85%
 SALT SPRAY: NO REMAKABLE RUST IN METAL PARTS. (5%SALT / 35°C 24HRS)
 SHOCK: NO MECHANICAL DEFECT OR DAMAGE. (100g / 10MSEC/ X,Y,Z 3 TIMES)
 VIBRATION: NO MECHANICAL DEFECT OR DAMAGE. (10-55Hz /1.5mm/ X,Y,Z 2HRS)

△6 UL: 8A@125VAC / 4A@250VAC
 ENEC: 6A@250VAC, µ, 25T85

△7 ELECTRICAL RATINGS, AGENCY APPROVAL LOGOS, OFF/ON DESIGNATIONS AND THE TE LOGO PER TEC-202-36 LOCATED APPROXIMATELY AS SHOWN ON THE SIDE OF THE SWITCH HOUSING.

8 COMPONENT RECOGNIZED TO US AND CANADIAN STANDARDS, UL FILE NO. E46765.

9 COMPONENT RECOGNIZED TO EUROPEAN STANDARDS (ENEC & FI). CERTIFICATE No. ENEC2003036.

PRHSA3-08F-BB000	1571500-2
PRHSA1-08F-BB000	1571500-1
LEGACY PART NUMBER	TYCO PART NUMBER

THIS DRAWING IS A CONTROLLED DOCUMENT.		DWN M.BINNER	18JUN2003	Tyco Electronics Corporation Harrisburg, PA 17057	
DIMENSIONS: MM		CHK J.MOSIER	APVD -	NAME POWER ROCKER SWITCH, 7.0mm X 19.2mm	
TOLERANCES UNLESS OTHERWISE SPECIFIED:		PRODUCT SPEC NOT APPLICABLE		PANEL CUT-OUT SIZE, SINGLE POLE, SINGLE THROW, TWO TERMINALS, NON-ILLUMINATED	
0 PLC ± -		APPLICATION SPEC NOT APPLICABLE		SIZE A2	RESTRICTED TO -
1 PLC ± 0.30[.012]		WEIGHT -		CAGE CODE 00779	DRAWING NO C=1571500
2 PLC ± 0.05[.002]		FINISH △2		SCALE 3:1	
3 PLC ± -		MATERIAL △1		SHEET 2 OF 2	
4 PLC ± -		CUSTOMER DRAWING		REV E2	
ANGLES ± -					