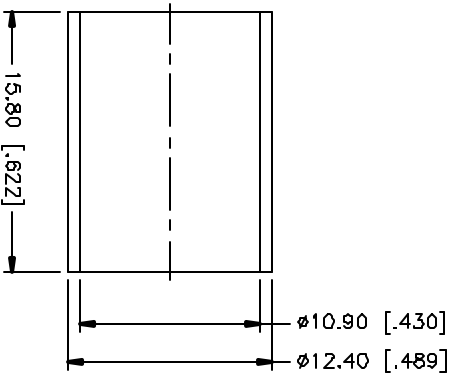
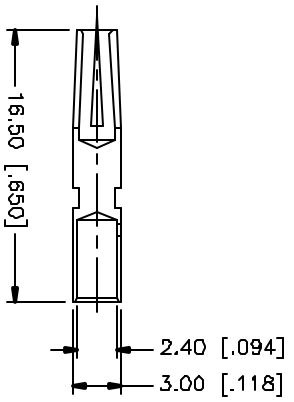
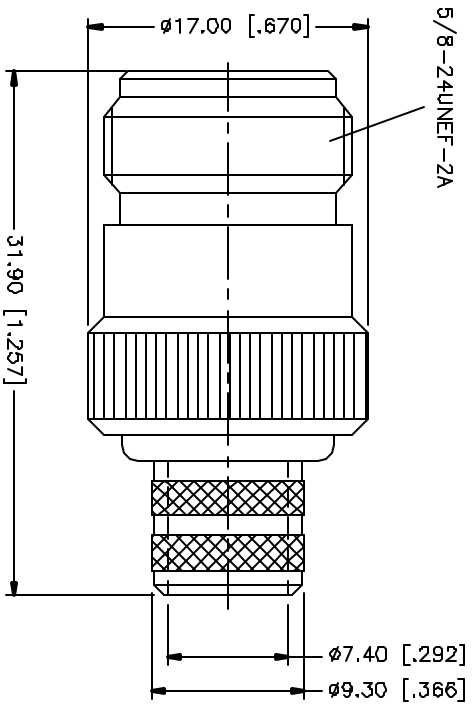
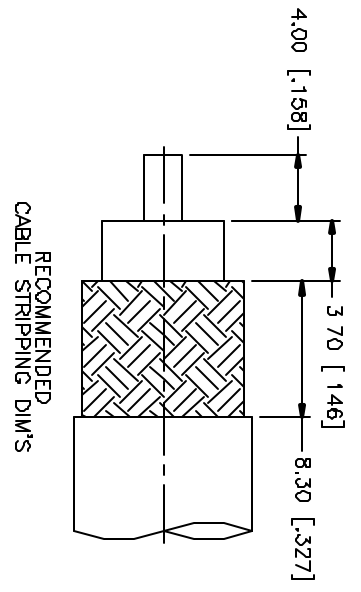


REV.	DATE	DESCRIPTION
A	09/07/04	UPDATE DRAWING FORMAT / MODIFY CONTACT PIN



- NOTE:
1. CRIMPED FERRULE  
HEX CRIMP SIZE .429"
  2. CRIMPED CONTACT PIN  
HEX CRIMP SIZE .100"

NO.	DESCRIPTION	MATERIAL	FINISH	QTY
8				
7				
6				
5				
4	FERRULE	BRASS	NICKEL	1
3	CONTACT PIN	PHOS BRONZE	GOLD	1
2	INSULATOR	TEFLON	NATURAL	1
1	BODY	BRASS	NICKEL	1
	DESCRIPTION	MATERIAL	FINISH	QTY

APPROVALS	DATE
DRAWN G.R.S.	09/07/04
CHECKED	
ISSUED	
STRICT 1 OF 1	

CAD FILE	C:/172/172105.DWG
DWG. NO.	172105.DWG
REV	A
SIZE	A
SCALE	NA

**Amphenol Connex**

N STRAIGHT CRIMP JACK  
(FOR RG-8/U CABLE)

172105

UNLESS OTHERWISE SPECIFIED DIMENSIONS ARE IN MILLIMETERS AND DECIMALS THEREAFTER ARE IN INCHES UNLESS OTHERWISE SPECIFIED.  
DIMENSIONS FOR MILLIMETERS ARE:  
0.5 - 8mm ± 0.20mm  
8 - 30mm ± 0.40mm  
30 - 120mm ± 0.50mm  
UNLESS OTHERWISE SPECIFIED DIMENSIONS FOR INCHES ARE:  
0.20 - .315 - ± 0.007"  
.315 - 1.180 - ± 0.014"  
1.180 - 4.774 - ± 0.020"