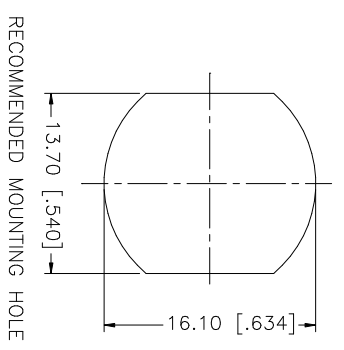
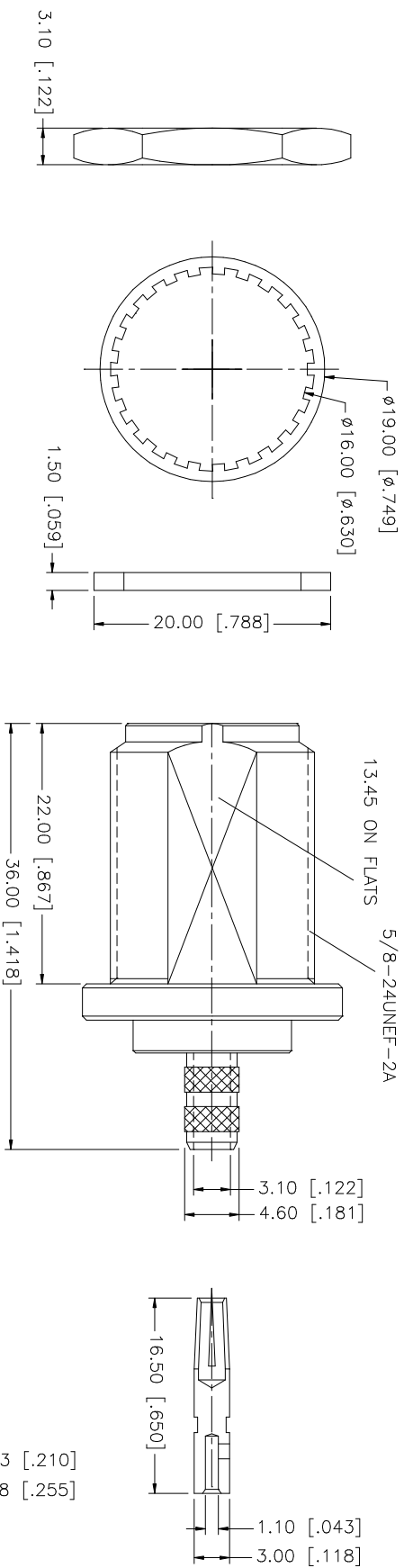
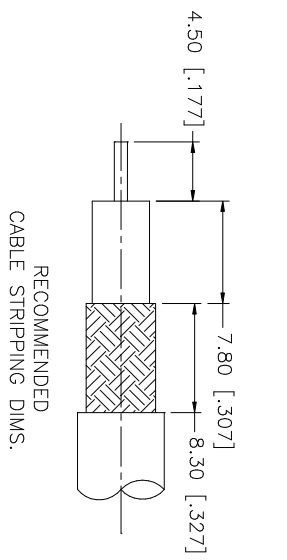


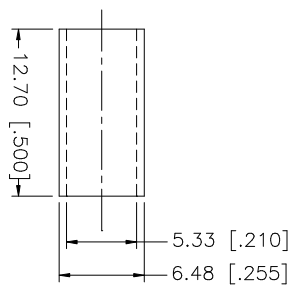
REV.	DATE	DESCRIPTION
A	11/13/03	UPDATE DRAWING FORMAT
B	01/24/05	UPDATE PART DESCRIPTION
C	07/07/05	MODIFY CABLE DESCRIPTION RG-58



RECOMMENDED MOUNTING HOLE



RECOMMENDED CABLE STRIPPING DIMS.



- NOTE:
1. CRIMPED FERRULE
HEX CRIMP SIZE .213"
 2. CRIMPED CONTACT PIN
HEX CRIMP SIZE .100"

8	DESCRIPTION	MATERIAL	FINISH	QTY	DO NOT SCALE DRAWING	CAD FILE	DWG. NO.	REV.	SIZE	SCALE
8	FERRULE	COPPER	NEXCOTE	1	UNLESS OTHERWISE SPECIFIED DIMENSIONS ARE IN MILLIMETERS. DIMENSIONS IN [] ARE IN INCHES AND FOR CUSTOMER REFERENCE ONLY. UNLESS OTHERWISE SPECIFIED TOLERANCES FOR MILLIMETERS ARE: 0.5 - 8mm ± 0.20mm 8 - 30mm ± 0.40mm 30 - 120mm ± 0.50mm UNLESS OTHERWISE SPECIFIED TOLERANCES FOR INCHES ARE: .020 - .315 = ± 0.007" .315 - 1.180 = ± 0.015" 1.180 - 4.724 = ± 0.020"	C:/172/172106.DWG	172106.DWG	C	A	NA
7	GASKET	SILICONE	RED	1		APPROVALS	DATE			
6	HEX NUT	BRASS	NEXCOTE	1		DRAWN	G.R.S.	07/07/05		
5	LOOK WASHER	BRASS	NEXCOTE	1		CHECKED				
4	CONTACT PIN	PHOS. BRONZE	GOLD	1		ISSUED				
3	INSULATOR	TEFLON	NATURAL	1		SHEET	1 OF 1			
2	INSULATOR	BRASS	NEXCOTE	1						
1	INSULATOR	BRASS	NEXCOTE	1						
1	INSULATOR	BRASS	NEXCOTE	1						
1	INSULATOR	BRASS	NEXCOTE	1						
1	INSULATOR	BRASS	NEXCOTE	1						

Amphenol Connex

N BULKHEAD CRIMP JACK
(FOR RG-58 CABLE)

172106