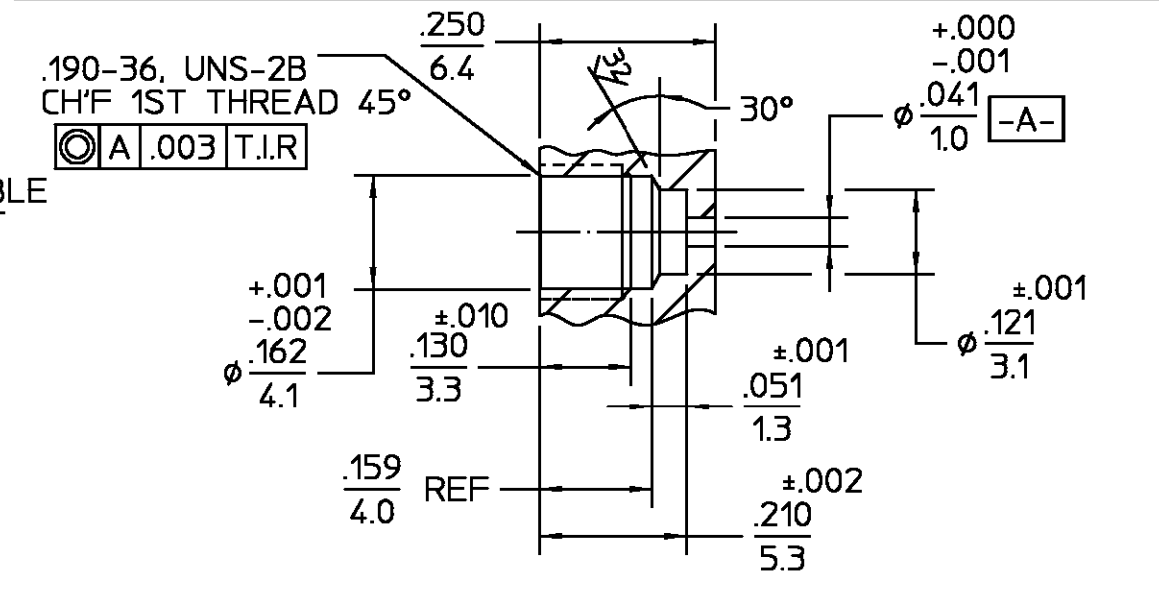


REVISIONS			
REV	DESCRIPTION	DATE	APPROVED
01	REDRAWN ON CAD PER ECN 99-0001	DM 5-7-99	C. Hoang 12JUN01



ELECTRICAL	MECHANICAL	ENVIRONMENTAL
Nominal Impedance (Ohms) <u>50</u>	Interface Dimensions PER <u>M/A-COM CATALOG</u>	Temperature Rating <u>-65° TO +125°C</u>
Frequency Range (GHz) DC to <u>18.0</u>	Recommended Mating	Vibration MIL-STD-202, Method 204, Condition D
Volt Rating (VRMS MAX) @ Sea Level <u>335</u>	Torque <u>12-15 IN-LBS</u>	Shock MIL-STD-202, Method 213, Condition I
VSWR <u>1.06 + .01f(GHz)</u>	Force to Engage and Disengage (In-Lbs MAX) <u>3.0</u>	Thermal Shock MIL-STD-202, Method 107, Condition B, Except High Temp +125°C
Insertion Loss (dB MAX) <u>.05 √f(GHz)</u>		Moisture Resistance MIL-STD-202, Method 106
RF Leakage (dB MIN) <u>-(85-f(GHz))</u>		Corrosion - MIL-STD-202, Method 101, Condition B, 5% salt spray
Corona, 70,000 Ft (VRMS MIN) <u>N/A</u>		
Dielectric Withstanding Voltage (VRMS MIN) @ Sea Level <u>750</u>		
Contact Resistance (Milliohms MAX)		
Center Contact <u>10.0</u>		
Outer Contact <u>2.0</u>		
Cable to Housing <u>N/A</u>		
RF High Potential @ Sea Level (VRMS MIN @ 5 MHz) <u>667</u>		
I.R.(Megohms MIN) <u>5,000</u>		

COMPONENT	MATERIAL	FINISH
HOUSING	STAINLESS STEEL PER ASTM-A484 AND ASTM-A582, TYPE 303	GOLD PLATE PER MIL-G-45204
DIELECTRIC	PTFE FLUOROCARBON PER ASTM-D-1457	N/A
CENTER CONTACT	BRASS PER ASTM-B-16, HALF HARD	GOLD PLATE PER MIL-G-45204
CONTACT EXT	IRON-NICKEL-COBALT ALLOY PER MIL-I-23011 CLASS 1 (KOVAR)	GOLD PLATE PER MIL-G-45204
GASKET	SOFT COPPER, ALLOY 110 PER ASTM-B-152 OR ASTM-B-370, OR EQUIVALENT	GOLD PLATE PER MIL-G-45202
HERMETIC SEAL	GLASS BEAD	N/A
'O' RING	FLUOROSILICONE 60 (DUROMETER) PER MIL-R-25988, CLASS 1, TYPE 1	N/A

UNLESS OTHERWISE SPECIFIED DIMENSIONS ARE IN INCHES

FRAC. ± 1/64	DEC. ± .005	ANGLES ± 1°
--------------	-------------	-------------

DRAWN BY: KM DATE: 2-8-88
 CHECKED BY: MH/M DATE: 4-7-88
 APP'D BY: DC DATE: 4-7-88

USE ASSY PROCEDURE
NO. A.P. N/A

AMP Incorporated
140 Fourth Avenue
Waltham, MA 02451-7599

TITLE OSSP HERMETICALLY SEALED PANEL FEEDTHRU JACK RECEPTACLE STRAIGHT TERMINAL

SIZE B	CODE IDENT NO. 26805	4757-5014-00	REV 01
SCALE 8:1			SHEET 1 OF 1

.XXX = in
XX.X = mm (REF)

CUSTOMER DRAWING

AMP PART # 1059905-1
SHEET 1 OF 1 REV B
PER EC # OU20-0261-01