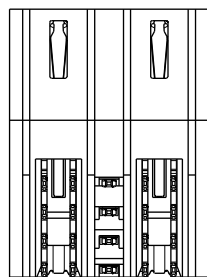
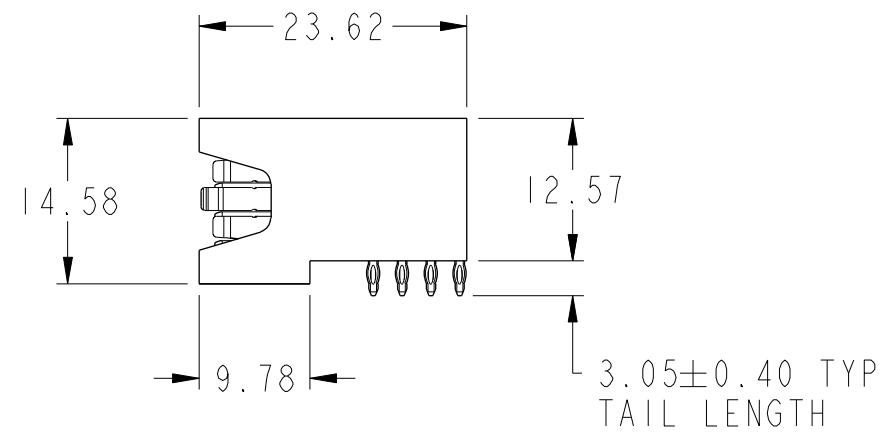
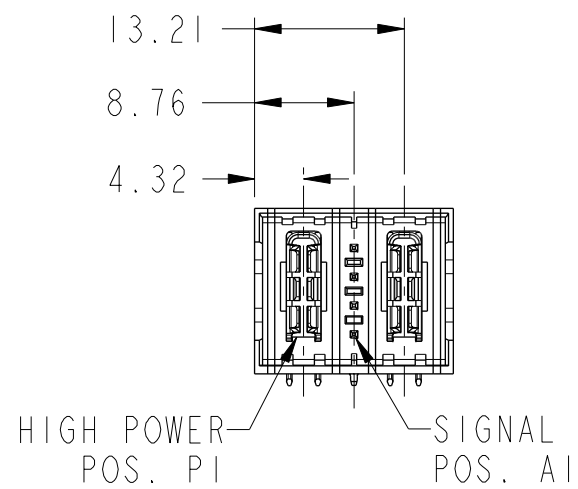
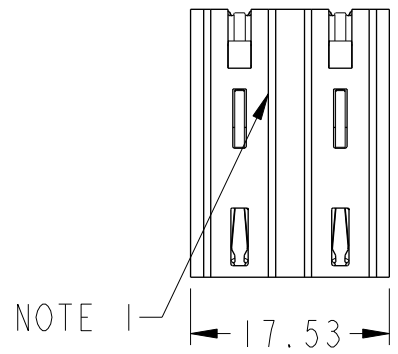


PRODUCT NUMBER SEE SHEET 2



spec ref		dr	Rainbow Zhan	2014/12/22	projection	MM	size	A3	scale	3:2	
tolerance std		eng	Vicking Liu	2015/11/02			ecn no	ELX-DG-22326-1			
ASME Y14.5		TOLERANCES UNLESS OTHERWISE SPECIFIED			chr	Fancy Zhang	2015/11/02	rel level			Released
surface		linear	0.X	±0.50	appr	Pei-Ming Zheng	2015/11/02	product family		PwrBlade+	
ASME Y14.5			0.XX	±0.25		title		IP + 4S + IP	dwg no	10106263-2001002	
		angular	0°	±2°	www.fci.com		cat. no.	Product - Customer Drw		sheet 1 of 3	



Copyright FCI.

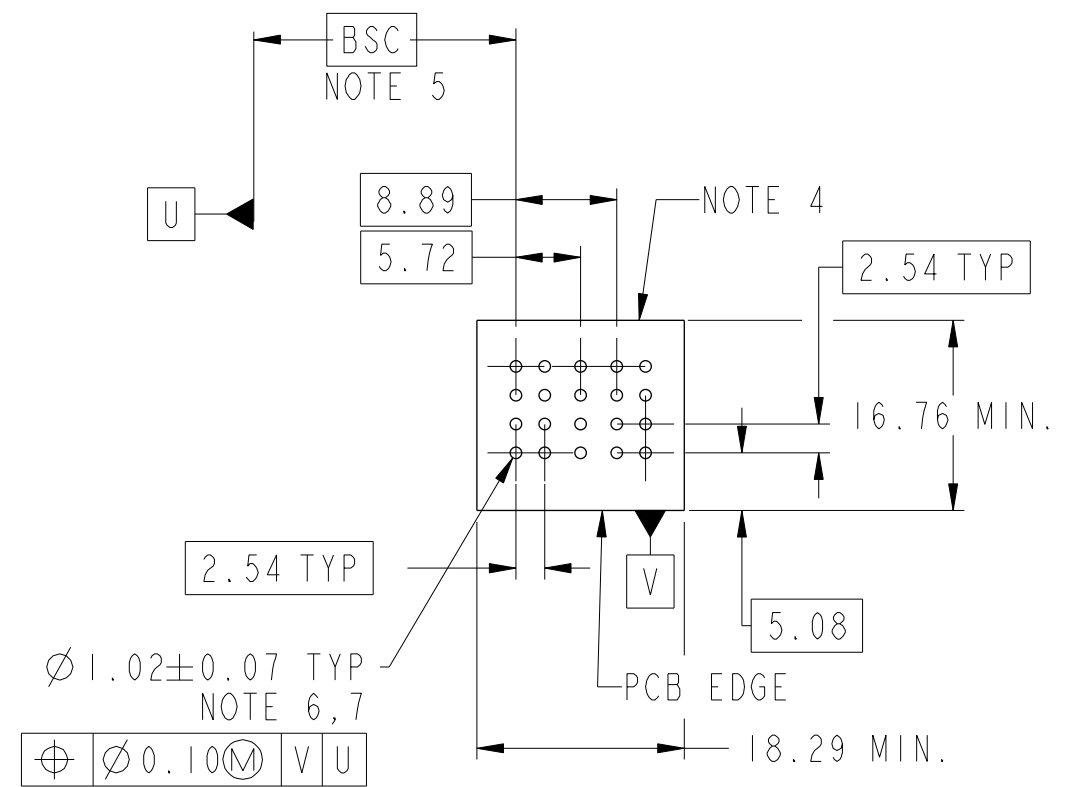
1

2

3

4

PRODUCT NO.	ROWS		HP	S	HP	
		E1	P1	1	P2	E2
10106263-2001002LF	D C B A		HE	LD SC SB SA	HE	



⊕	⊕ 0.10	Ⓜ	V	U
---	--------	---	---	---



Copyright FCI.

CODE	DESCRIPTION
HE	STD HIGH POWER CONTACT (3.05)
LD	LMFB SIGNAL CONTACT, ROW D (3.05)
SA	STD SIGNAL CONTACT, ROW A (3.05)
SB	STD SIGNAL CONTACT, ROW B (3.05)
SC	STD SIGNAL CONTACT, ROW C (3.05)

dr	Rainbow Zhan	2014/12/22	projection ⊕	MM ←→	size	A3	scale	3:2	
eng	Vicking Liu	2015/11/02			ecn no	ELX-DG-22326-1			
chr	Fancy Zhang	2015/11/02			rel level	Released			
appr	Pei-Ming Zheng	2015/11/02	product family	PwrBlade+	dwg no		10106263-2001002	rev	D
www.fci.com		cat. no.	Product - Customer Drw		sheet 2 of 3				

1

2

3

NOTES:

- 1) "FCI", PART NUMBER AND DATE CODE TO BE MARKED ON THIS SURFACE.  
THE MARK CAN BE OMITTED IF THERE IS NOT ENOUGH SPACE ON THIS SURFACE.
- 2) MATERIALS:  
-HOUSING - GLASS FILLED WITH HIGH TEMP THERMOPLASTIC, UL94V-0.  
-SIGNAL CONTACT - COPPER ALLOY.  
-POWER CONTACT - HIGH CONDUCTIVITY COPPER ALLOY.
- 3) PLATING SPECIFICATION: 10116351
- 4) DENOTES CONNECTOR KEEP OUT ZONE.
- 5) DATUM AND BASIC DIMENSIONS ARE ESTABLISHED BY CUSTOMER.
- 6) ALL HOLE DIAMETERS ARE FINISHED HOLE SIZES.
- 7) 1.15 ±0.025MM DRILLED HOLE PLATED WITH 0.00762MM MIN Sn  
OVER 0.0254-0.0762MM Cu PLATING TO ACHIEVE A 1.02 ±0.07MM HOLE.
- 8) PRODUCT SPECIFICATION: GS-12-658.  
APPLICATION SPECIFICATION: GS-20-141.  
PRODUCT PACKAGED IN TRAYS: GS-14-1502.

A

B

C

D

A

B

C

D



Copyright FCI.

dr	Rainbow Zhan	2014/12/22	projection 	MM 	size	A3	scale	3:2
eng	Vicking Liu	2015/11/02			ecn no	ELX-DG-22326-1		
chr	Fancy Zhang	2015/11/02			product family	PwrBlade+	rel level	Released
appr	Pei-Ming Zheng	2015/11/02						
		title IP + 4S + IP RA PF HEADER			dwg no 10106263-2001002	rev D		
<a href="http://www.fci.com">www.fci.com</a>		cat. no.	Product - Customer Drw		sheet 3 of 3			