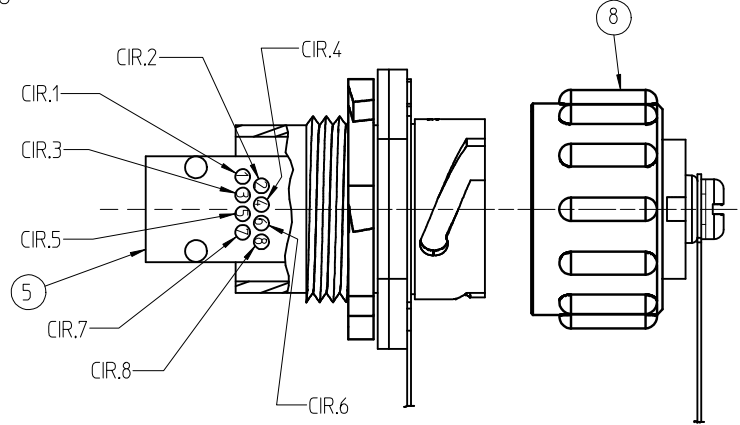
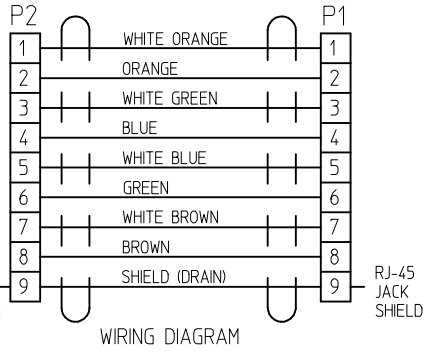
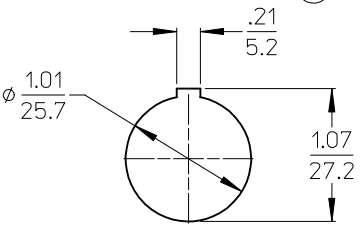
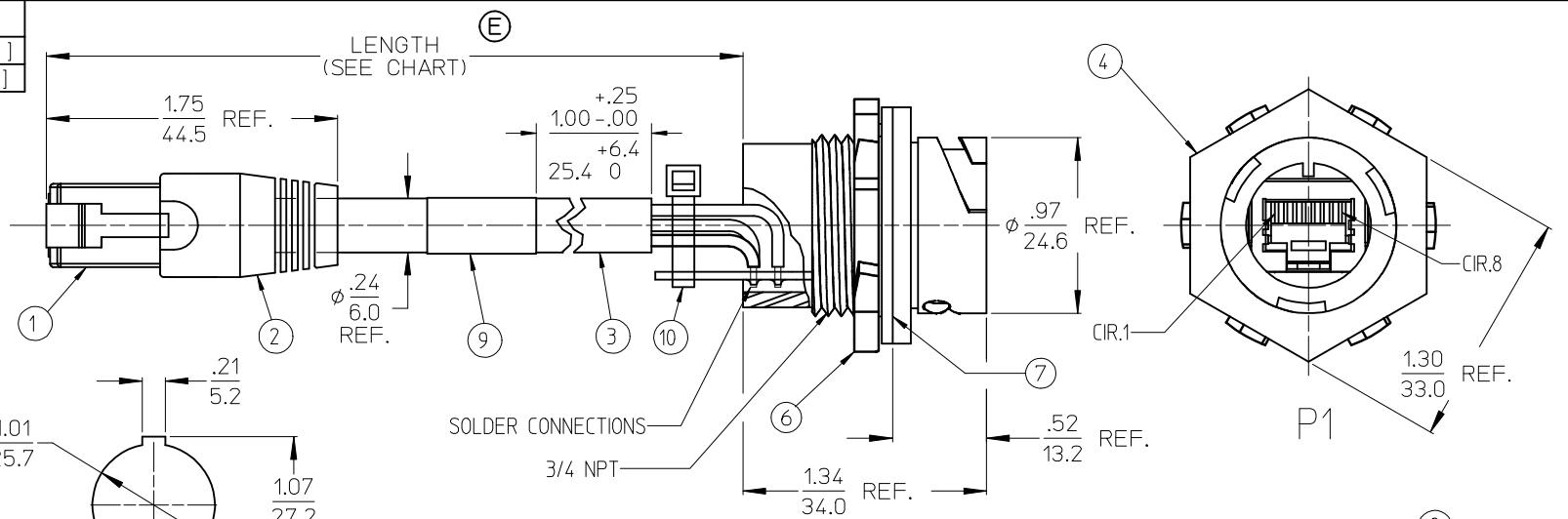


PART NUMBER	CABLE LENGTH
847000005	12.00 +.75-0 [305mm +19mm-0]
847000006	4.00* +.75-0 [102mm +19mm-0]



- NOTES:
1. MATERIAL: SEE TABLE
 2. PRODUCT SPECIFICATIONS: PPS.84.003
 4. PACKAGING: ASSEMBLIES ARE TO BE PACKED IN CLEAN POLY BAG
 5. MATES WITH: RJ-45 CUSTOMER SPECIFIC PART
 6. MARKING: PART NUMBER, MANUFACTURER AND DATE CODE (E)
VOLTAGE: 125V, CURRENT: 1.5A
 7. SHIELDS ARE TERMINATED TO METAL CONNECTOR SHELL
 8. CABLE IS MANUFACTURED WITH UL AND CSA COMPLIANT PARTS
 9. PCB ASSEMBLY PUSHOUT: 20 LBS. MIN
 10. ASSEMBLY IS MADE FROM RoHS COMPLIANT PARTS

ITEM	QTY.	DESCRIPTION	MATERIAL	FINISH
10	1	CABLE TIE	NYLON	WHITE
9	1	LABEL	MYLAR	BLACK/CHROME
8	1	DUST COVER & TETHER	POLYESTER	BLACK
7	1	PANEL GASKET	NEOPRENE	BLACK
6	1	PANEL LOCKNUT	STEEL	ZINC PLATED
5	1	PCB ASSEMBLY	PURCHASED ASSY.	VENDOR SPEC.
4	1	RECEPTACLE MOLDED	POLYESTER	BLACK
3	1	CABLE, CAT 5E, 24 AWG	PVC JACKET	GRAY
2	1	SLIDING SLEEVE	POLYOLEFIN	BLACK
1	1	RJ-45 PLUG SHIELDED	PURCHASED ASSY.	VENDOR SPEC.

REVD TO LATEST MFG STD. EC NO: IFC2016-1366 IT DRWNR: STONE 2016/04/08 CHKDR: EL INSKI 2016/05/04 APPR: BWOODMAN 2016/05/31	QUALITY SYMBOLS ▽=0 ▽=0	GENERAL TOLERANCES (UNLESS SPECIFIED) 4 PLACES ± --- ± --- 3 PLACES ± --- ± --- 2 PLACES ± --- ± .01 1 PLACE ± 0.25 ± --- ANGULAR ± 1/2°	DIMENSION STYLE IN/MM	SCALE INCH	DESIGN UNITS INCH	THIRD ANGLE PROJECTION
			DRAWN BY R. STONE DATE 2003/11/26	CHECKED BY R. KEMP DATE 2003/12/29	APPROVED BY P. WALTZ DATE 2003/12/29	MATERIAL NO. SEE CHART

DBL. ENDED FEMALE RJ-45 BULKHEAD, 8/C, CAT 5E MALE PLUG, SLIDING SLEEVE
MOLEX INCORPORATED

DRAFT WHERE APPLICABLE MUST REMAIN WITHIN DIMENSIONS

THIS DRAWING CONTAINS INFORMATION THAT IS PROPRIETARY TO MOLEX INCORPORATED AND SHOULD NOT BE USED WITHOUT WRITTEN PERMISSION