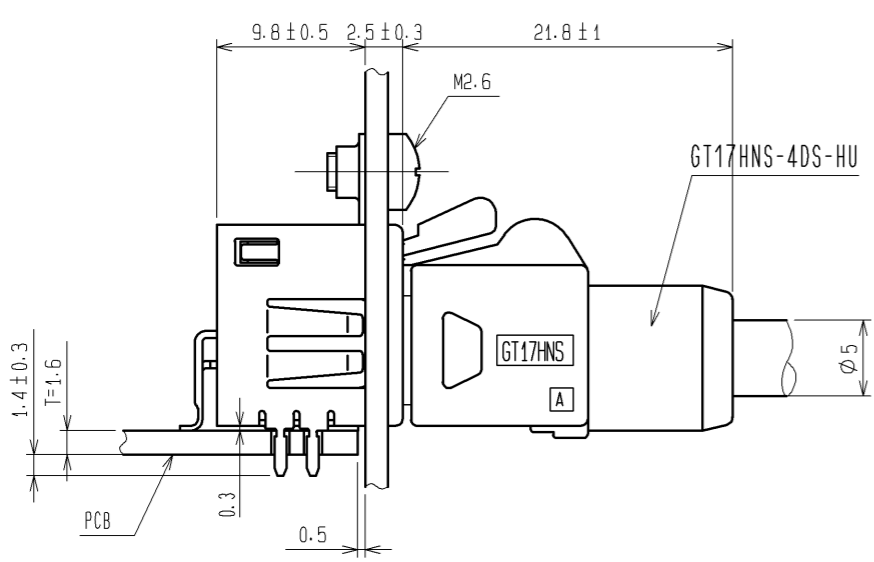
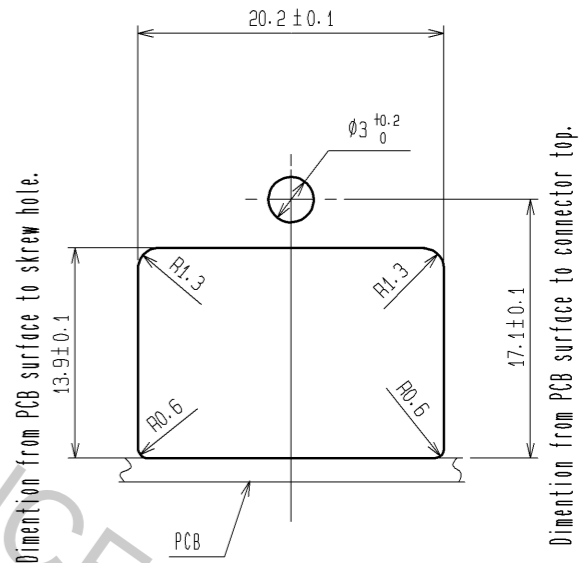
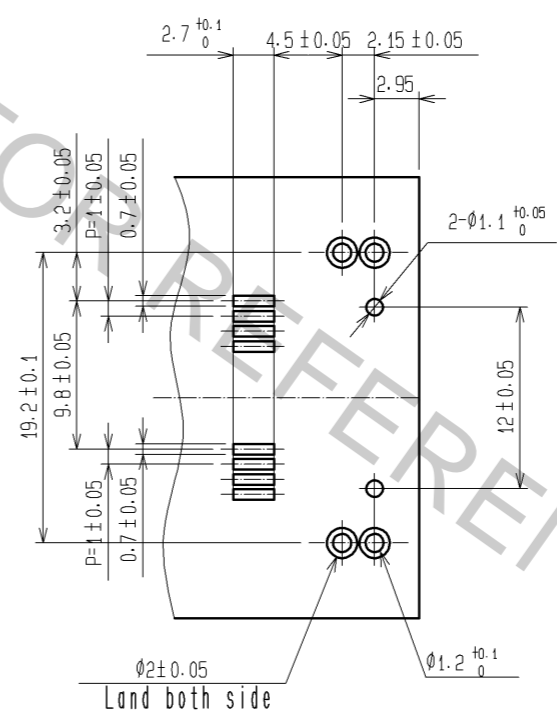
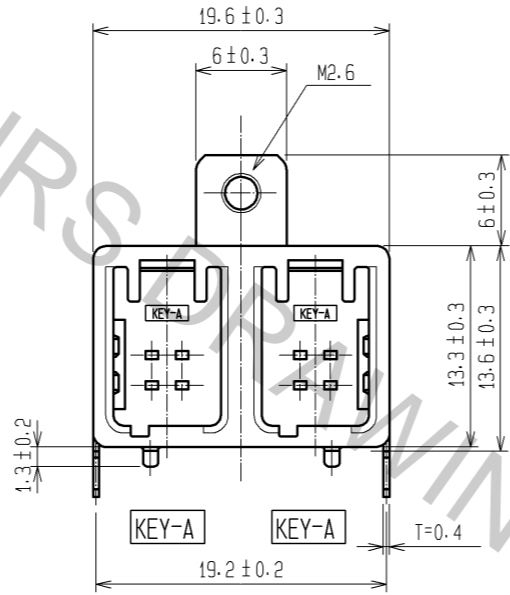
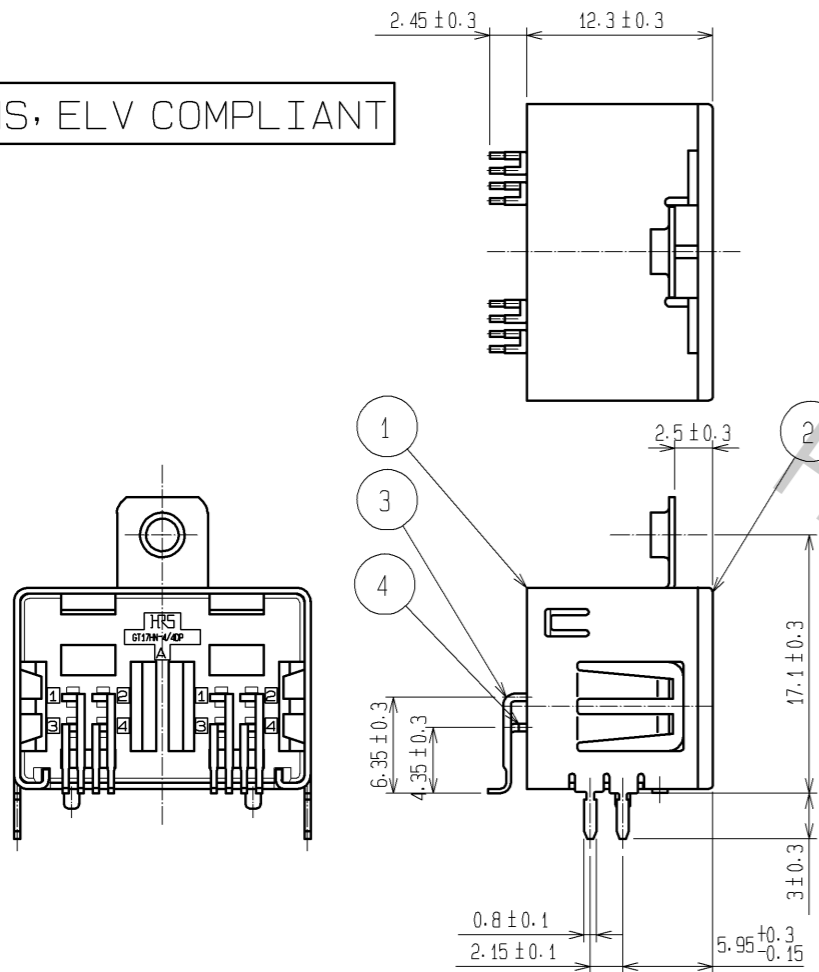
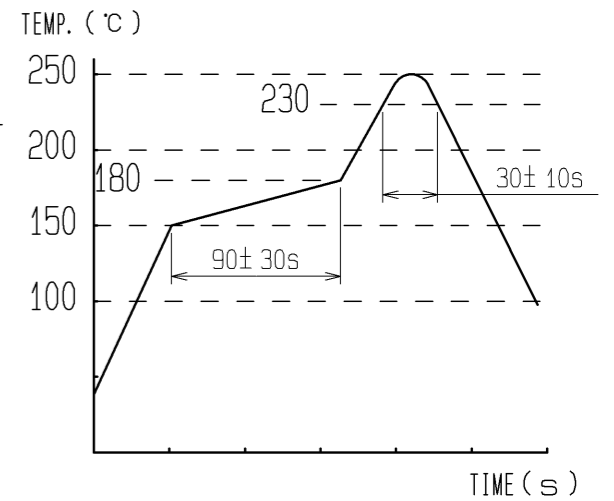


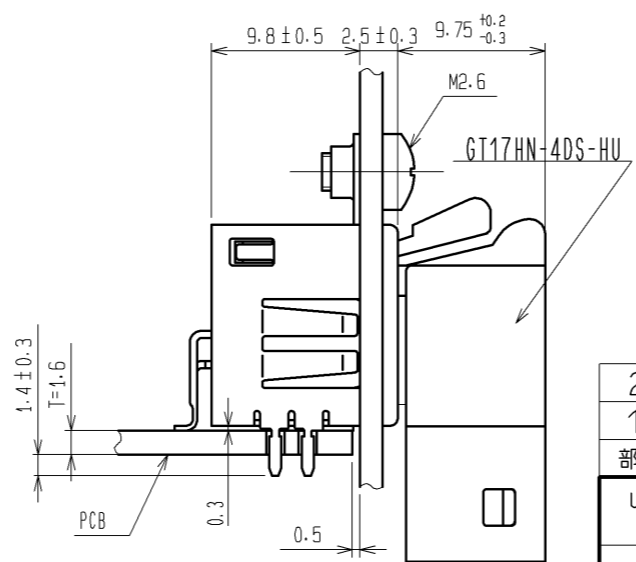
RoHS, ELV COMPLIANT

NOTES

- 1) RECOMMENDED REFLOW PROFILE (SEE RIGHT GRAPH)
 CYCLE TIME: UP TO 2 CYCLES OF REFLOW SOLDERING ARE POSSIBLE UNDER THE CONDITIONS, PROVIDED THAT THERE IS A RETURN TO NORMAL TEMPERATURE BETWEEN THE FIRST AND SECOND CYCLE.
 PEAK TEMPERATURE: 250°C
 230°C MIN. FOR 20 TO 40 SECONDS.
 PREHEATING AREA 150 TO 180 °C FOR 60 TO 120 SECONDS.
- 2) HAND SOLDERING: 280-300°C, 2S MAX.
- 3) CONTACT COPLANARITY: 0.1mm MAX.
- 4) RECOMMENDED THICKNESS OF PCB: 1.6mm
- 5) RECOMMENDED THICKNESS OF SOLDERING PASTE: 0.12mm



Mated connectors

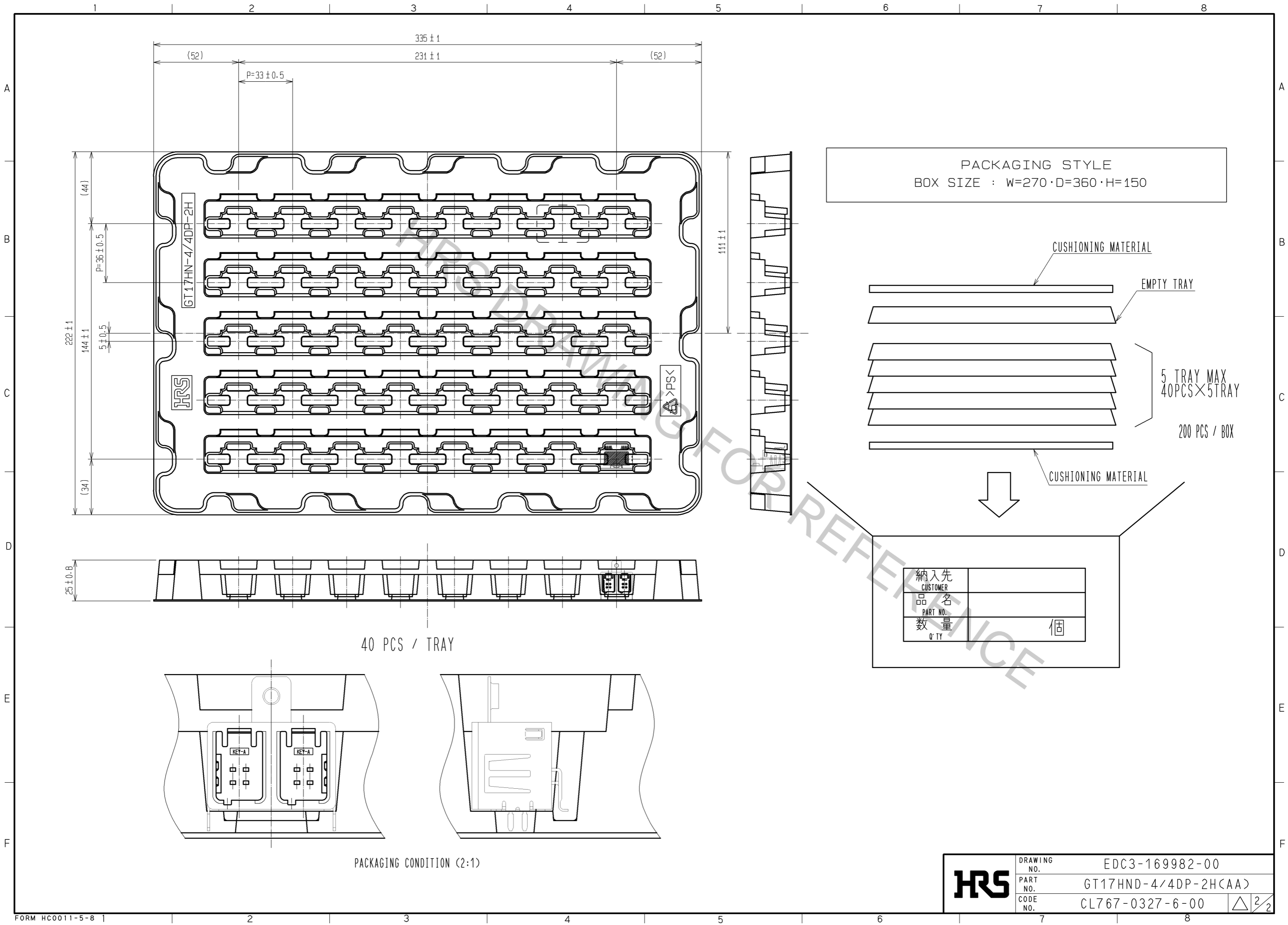


Mated connectors

Recommended PCB layout

Panel layout

2	PPS	BROWN	4	BRASS	TIN PLATING
1	COPPER ALLOY	TIN PLATING	3	BRASS	TIN PLATING
部番	材質	処理, 備考	部番	材質	処理, 備考
UNITS mm		SCALE 2 : 1		訂正記事	設計
HRS HIROSE ELECTRIC CO., LTD.		承認: NH. NAKATA 13.07.10	図番:	EDC3-169982-00	
		検 査: TS. KUBOTA 13.07.10	製品名:	GT17HND-4/4DP-2H(AA)	
		設 計: NK. IKUTA 13.07.09	製品コード:	CL767-0327-6-00	
		製 図: NK. IKUTA 13.07.09			



GT17HN-4/4DP-2H

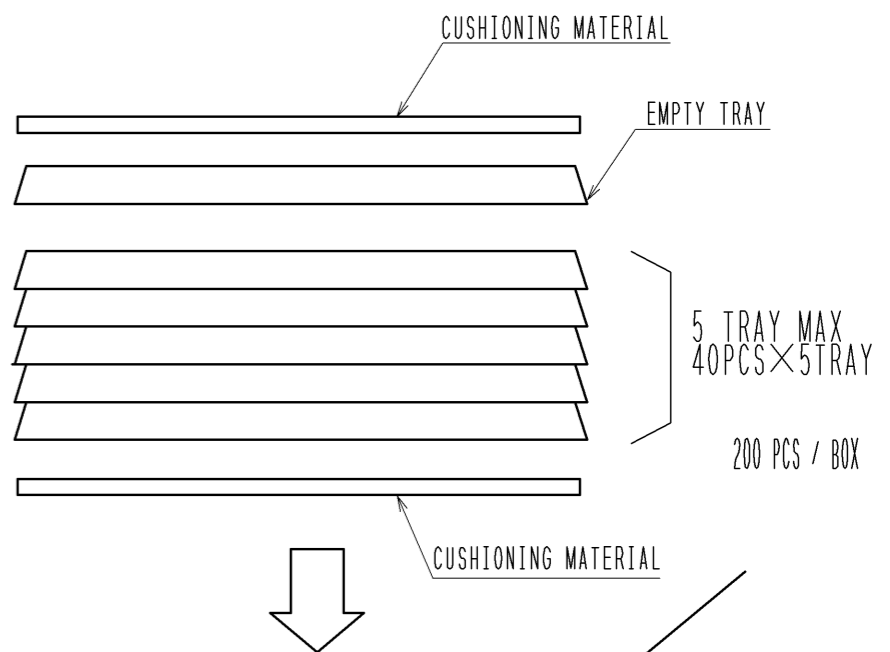
HRS

>PS<

40 PCS / TRAY

PACKAGING CONDITION (2:1)

PACKAGING STYLE
BOX SIZE : W=270·D=360·H=150



納入先 CUSTOMER	
品名 PART NO.	
数量 Q'TY	個

HRS	DRAWING NO.	EDC3-169982-00
	PART NO.	GT17HND-4/4DP-2H(CAA)
	CODE NO.	CL767-0327-6-00
		△ 2/2