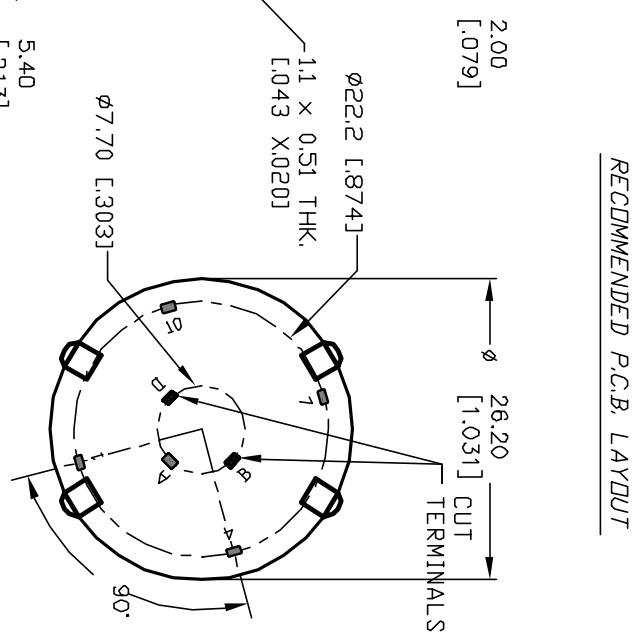
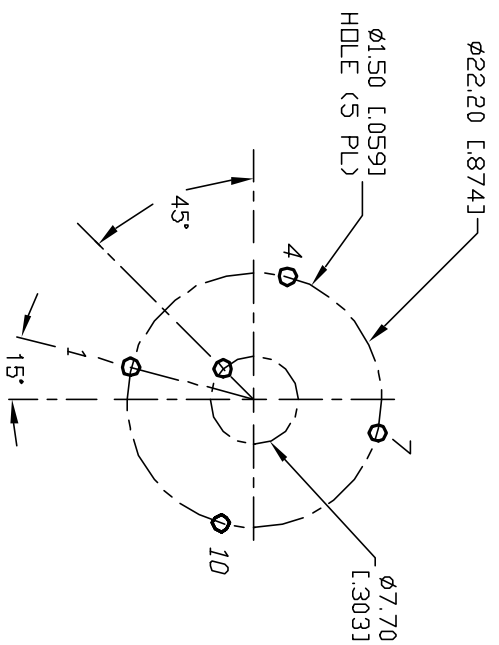
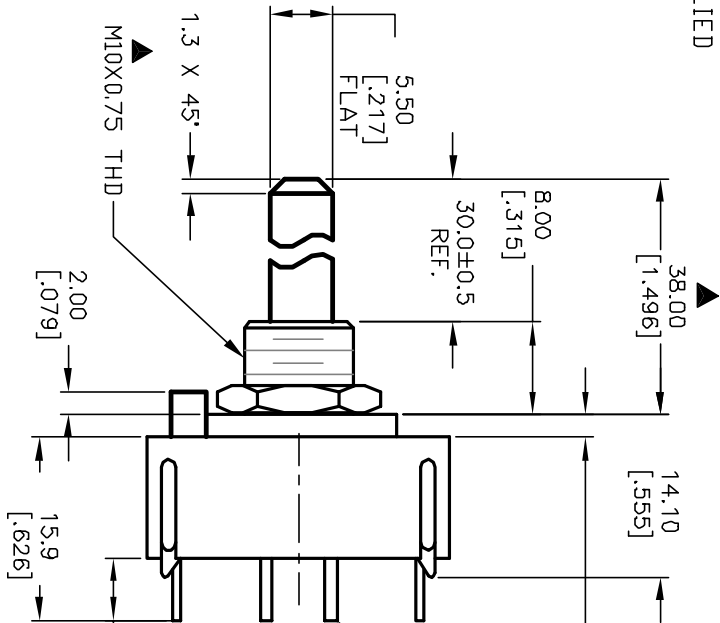
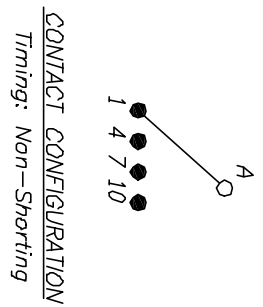
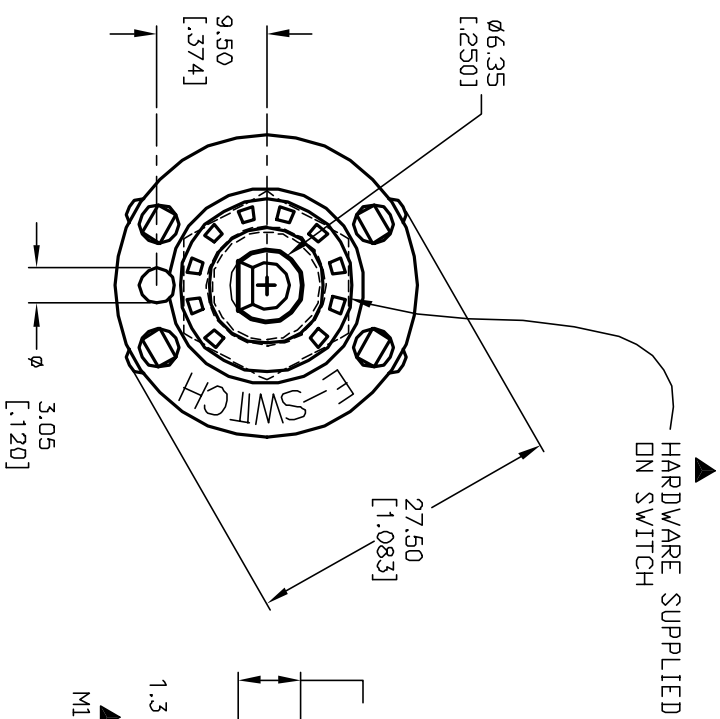


- NOTES:
1. ALL DIMENSION IN MM [INCH]
 2. GENERAL TOLERANCE: X.X=±0.4
X.XX=±0.25
 3. TERM. NOS. FOR REF. ONLY
 4. CONTACT RATING SWITCHING: 150mA, 250V AC/DC
350mA, 110V AC/DC
 5. CONTACT RATING (NON-SWITCHING) 5A
 6. OPERATING FORCE: 425±100 CM/STANDARD
 7. OPERATING TEMP: -30° to 85°C
 8. CIRCUIT SP: 4 POSITIONS, 90° INDEX.
 9. DIELECTRIC STRENGTH 1000V RMS min. @ SEA LEVEL
 10. DESIGNATE MAJOR DIMENSIONS
 11. HARDWARE SUPPLIED ON SWITCH - SEE BELOW
STOP RING, LOCKWASHER, & HEXNUT



E-SWITCH®

B				
A	12851	RELEASED FOR PRODUCTION	2/27/03	CJB
REV.	ECN No.	DESCRIPTION	DATE	CHKD

TITLE		SCALE		DATE	DR	DWG	REV
KC-58-A (30.0mm)-02-N-P-S		1.5:1		2/27/03	CJB	G510998	A

THE INFORMATION CONTAINED IN THIS DOCUMENT IS PROPRIETARY TO E-SWITCH AND IS NOT TO BE COPIED OR TRANSFERRED