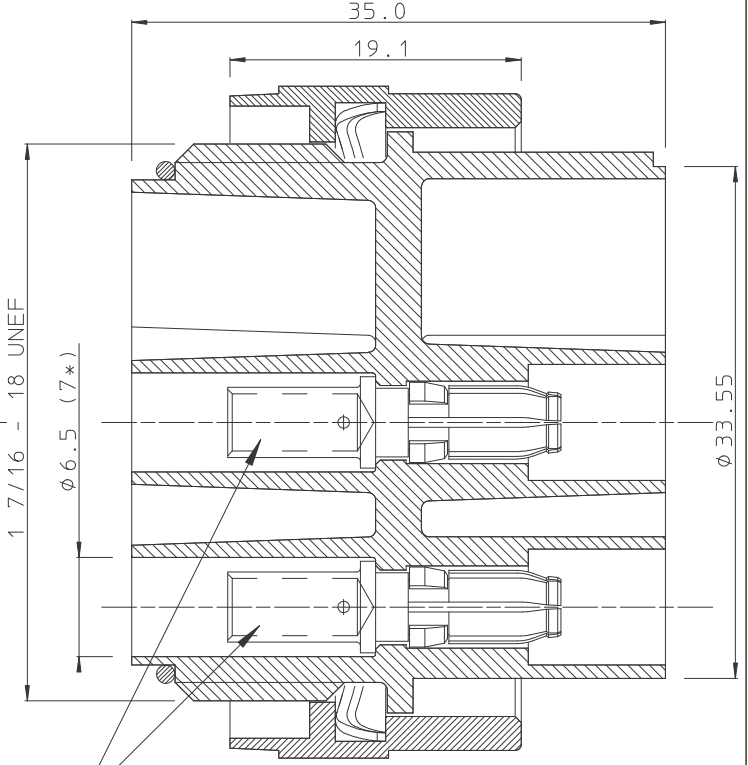
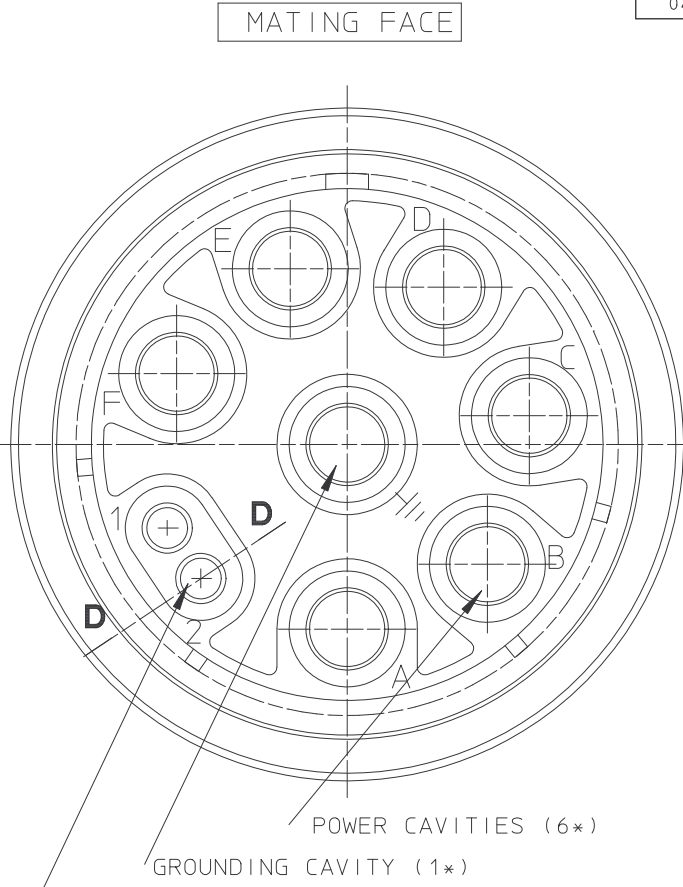


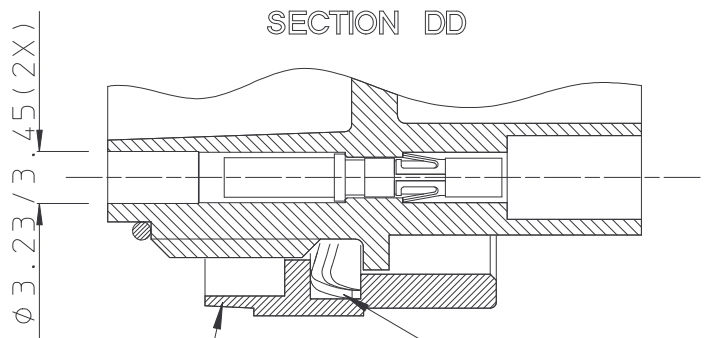
DIT IS ONZE EIGENDOM EN MAG NOCH NAGEMAAKT, HERDRUKT, OVERGEMAAKT AAN DERDEN, NOCH VOOR FABRIKATIE GEBRUIKT WORDEN, ZONDER ONZE SCHRIFTELIJKE TOELATING. BIJ NIET GEBRUIK IS DE TERUGZENDING VERPLICHT.

THIS IS OUR EXCLUSIVE PROPERTY. IT IS NOT TO BE COPIED, REPRINTED OR DISCLOSED TO A THIRD PARTY, NOR USED FOR MANUFACTURING WITHOUT OUR WRITTEN CONSENT, AND HAS TO BE RETURNED TO US IN CASE OF NO USAGE

REV.	DATE	DESCRIPTION	BY	C'K'D'
01	03-09-92	CAV. DIA. ENLARGED	Y.D.	
02	10-03-99	CONVERSION ME10	K.N.	
03	10-03-99	TEMPERATURE RANGE -55C INSTEAD OF -25C	K.N.	
04	12-01-05	ADD O-RING AT THE REAR	R Ch	



FEMALE POWER CONTACTS (7*): SEE NOTE 1



FEMALE SIGNAL CONTACTS (2*): SEE NOTE 1

PERFORMANCE CHARACTERISTICS

- OPERATING TEMPERATURE : -55 °C TO +125 °C.
- INSULATION RESISTANCE : 5000 Mohm MIN.
- TEST POTENTIAL : 2000 V EFF.
- CONNECTOR AS PER VDE 0110 GROUP C 660V

MATERIAL

- BODY : GLASS-FILLED POLYESTER UL94-V0. COLOUR : BLACK.
- BAYONET COUPLING RING : HIGH STRENGTH CuZn ALLOY, NICKEL PLATED.
- COUPLING SPRING: SPRING STEEL

NOTES

- CONTACTS TO BE ORDERED SEPARATELY
- FOR ADDITIONAL INFORMATION REFER TO TRIM-TRIO CATALOG.
- CONNECTOR TO BE MATED WITH UTG0247P

04

BS, A , 201178, 003

GEN. ST.	01	02	03	04	05	06	07	08	0D	50	60	70	80	90																	
INT. ST.	10	11	12	13	14	18	20	31	32	33	34	38	39	40	42	43	44	45	46	48	56	70	72	73	75	76	81	82	83	84	88

1DEC ±0,2 2DEC ±0,1 ANGLES ±1° HOEKEN	APPR.	DATE	SIGN.	FEMALE PLUG		
WE RESERVE THE RIGHT TO CHANGE DIMENSIONS OR REQUIREMENTS WITHOUT PRIOR NOTICE.	DRAFT	26-9-90	M BUEDS	CAT. No. UTG6247SN		
ALL DIMENSIONS IN MM	PROD. MGR.			SOURIAU Route Nationale 23 72470 CHAMPAGNE		SCALE
ALLE AFMETINGEN IN MM	PR. ENG. MGR.					
	PR. MGT. MGR.			BS, A , 201178, 003 NOT EXPORT CONTROLLED		
	REFERENCES/REFERENTIES			DRAWING NR.	CUSTOMER DRAWING	REVISION