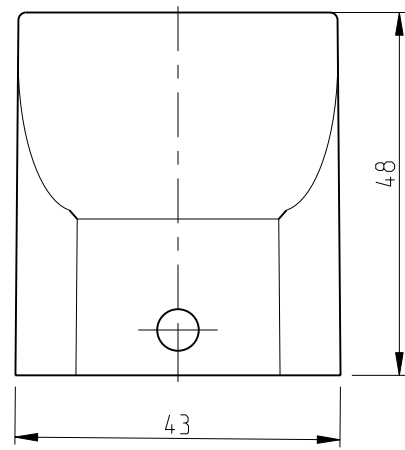
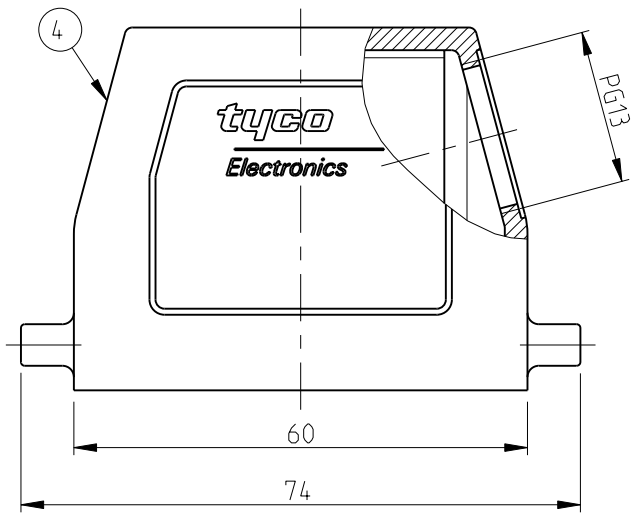


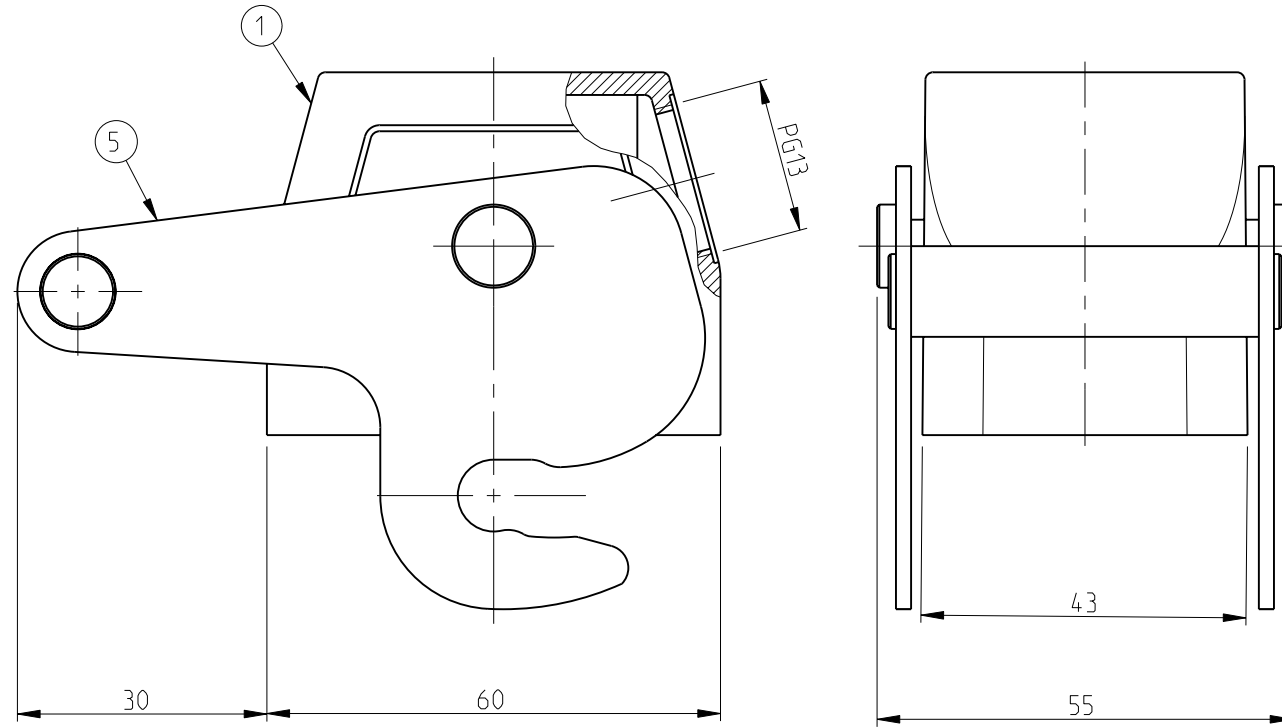
THIS DRAWING IS UNPUBLISHED. RELEASED FOR PUBLICATION 1997
 © COPYRIGHT 1997 BY TYCO ELECTRONICS CORPORATION. ALL RIGHTS RESERVED.

| REVISIONS | | | | | |
|-----------|-----|---------------|-----------|-----|------|
| P | LTR | DESCRIPTION | DATE | DWN | APVD |
| A4 | | ECR-10-014419 | 08JUL2010 | SR | AR |
| | | | | | |
| | | | | | |

PN 0-4



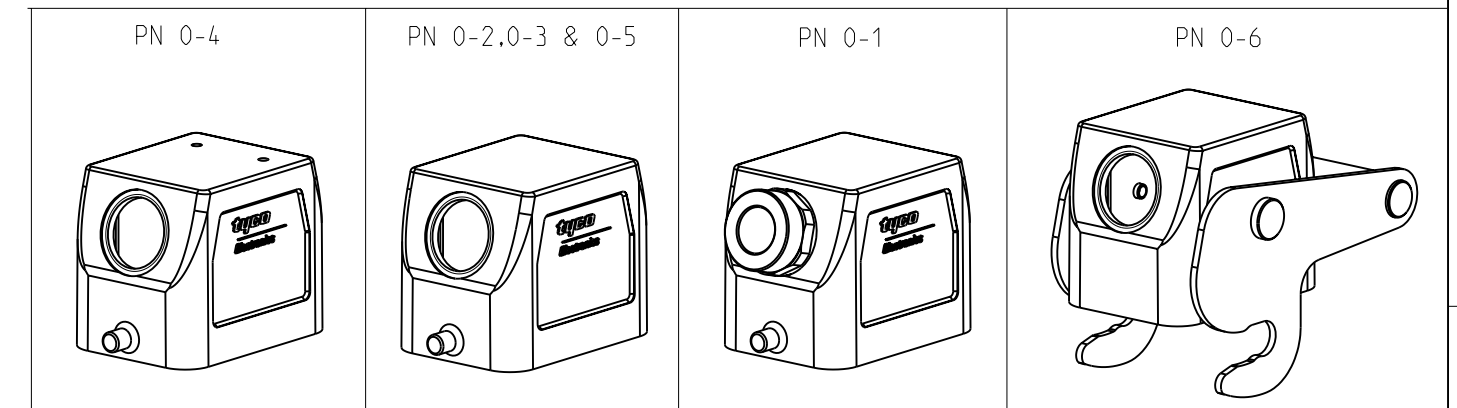
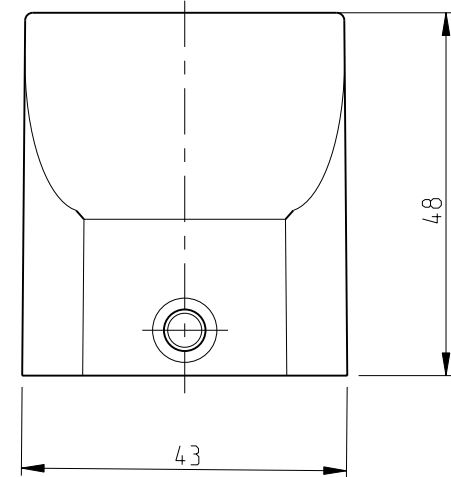
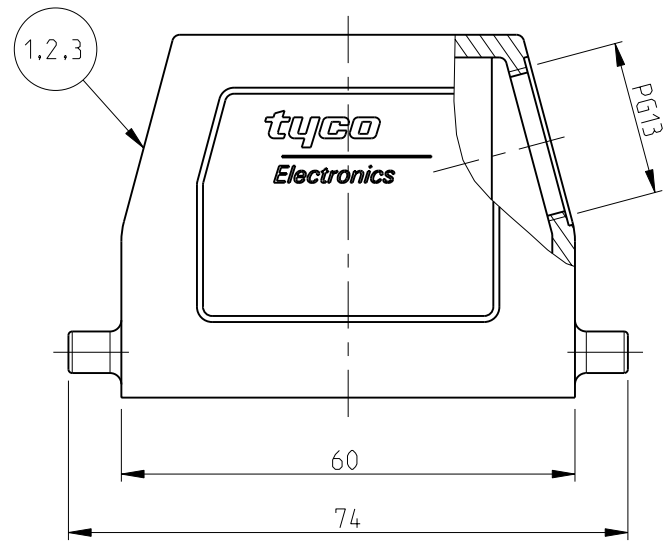
PN 0-6



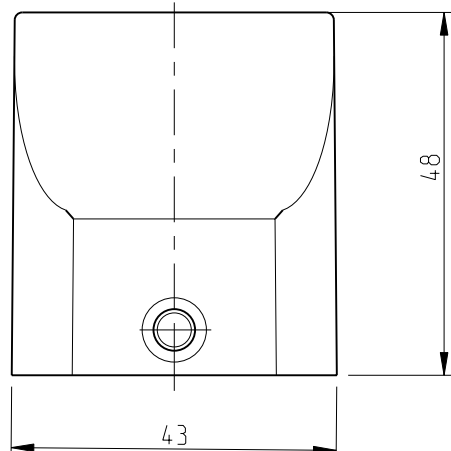
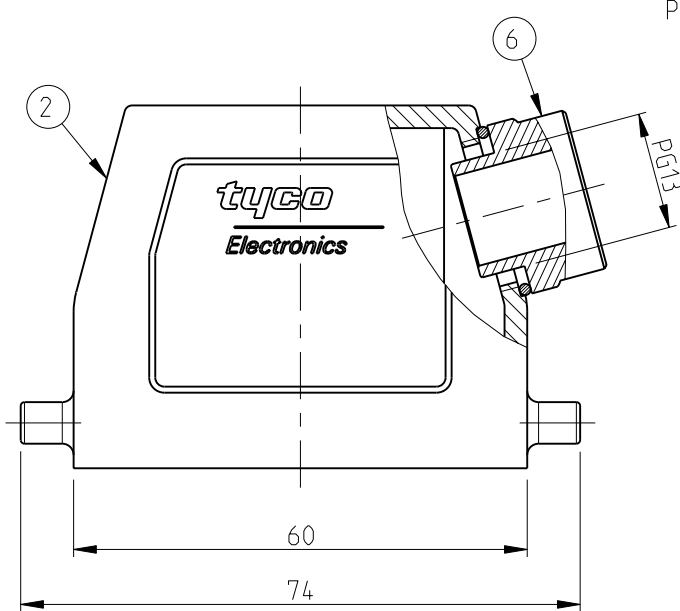
Notes

- 1 Material: Housing: Aluminium diecasting alloy
- 2 Surface:- Varnish-grey
-Aluminium oxide+
Varnish black
- 3 Varnish on the inside not necessary
- 4 Packaging
Packaging quantity: 5 pieces in a box

PN 0-2.0-3 & 0-5



PN 0-1



OBSOLETE

| QTY | DESCRIPTION | MATERIAL | SURFACE | COLOR | ITEM NO | NOTES |
|-----|----------------------|-----------|---------------|-------------|---------|-------|
| 1 | O-Ring PG13 | Perbunan | | Black | 9 | |
| 1 | Adapter | Brass | Nickel plated | Blue | 8 | |
| 2 | Clip positioner-ZBI | Steel | Zinc plated | Blue | 7 | |
| 1 | ZB-Side clip | Steel | Zinc plated | Blue | 6 | |
| 1 | Hood HB6 | Aluminium | | Grey | 5 | |
| 1 | Hood HB6 | Aluminium | HC | ALU-Colored | 4 | |
| 1 | Hood HB6 | Aluminium | HC | Black | 3 | |
| 1 | Hood HB6 | Aluminium | | Grey | 2 | |
| 1 | Hood HB6 | Aluminium | | Grey | 1 | |
| 0-6 | DESCRIPTION | MATERIAL | SURFACE | COLOR | ITEM NO | NOTES |
| | HB.6.STS.1.13G | | | | | |
| | HB.6.STS.1.13.G+2.M3 | | | | | |
| | HB-K.6.STS.1.13.G | | | | | |
| | HB-K.6.STS.1.13.G-SO | | | | | |
| | HB-K.6.STS.1.13.Z | | | | | |
| | HB-Z.6.STS-ZB.1.13.G | | | | | |

THIS DRAWING IS A CONTROLLED DOCUMENT FOR TYCO ELECTRONICS CORPORATION. IT IS SUBJECT TO CHANGE AND THE CONTROLLING ENGINEERING ORGANIZATION SHOULD BE CONTACTED FOR THE LATEST REVISION.

DWN Schneider 29.11.2002
 CHK Schneider 29.11.2002
 APVD Schweiger

Tyco Electronics Tyco Electronics.AMP.GmbH
 53757 Sankt Augustin Germany

NAME: HOOD HB.6.STS.1.13.G.and Z

PRODUCT SPEC: 108/74001/74003
 APPLICATION SPEC: 114-74001/74004/74005

SCALE: 1:1 SHEET 1 OF 1 REV. A4