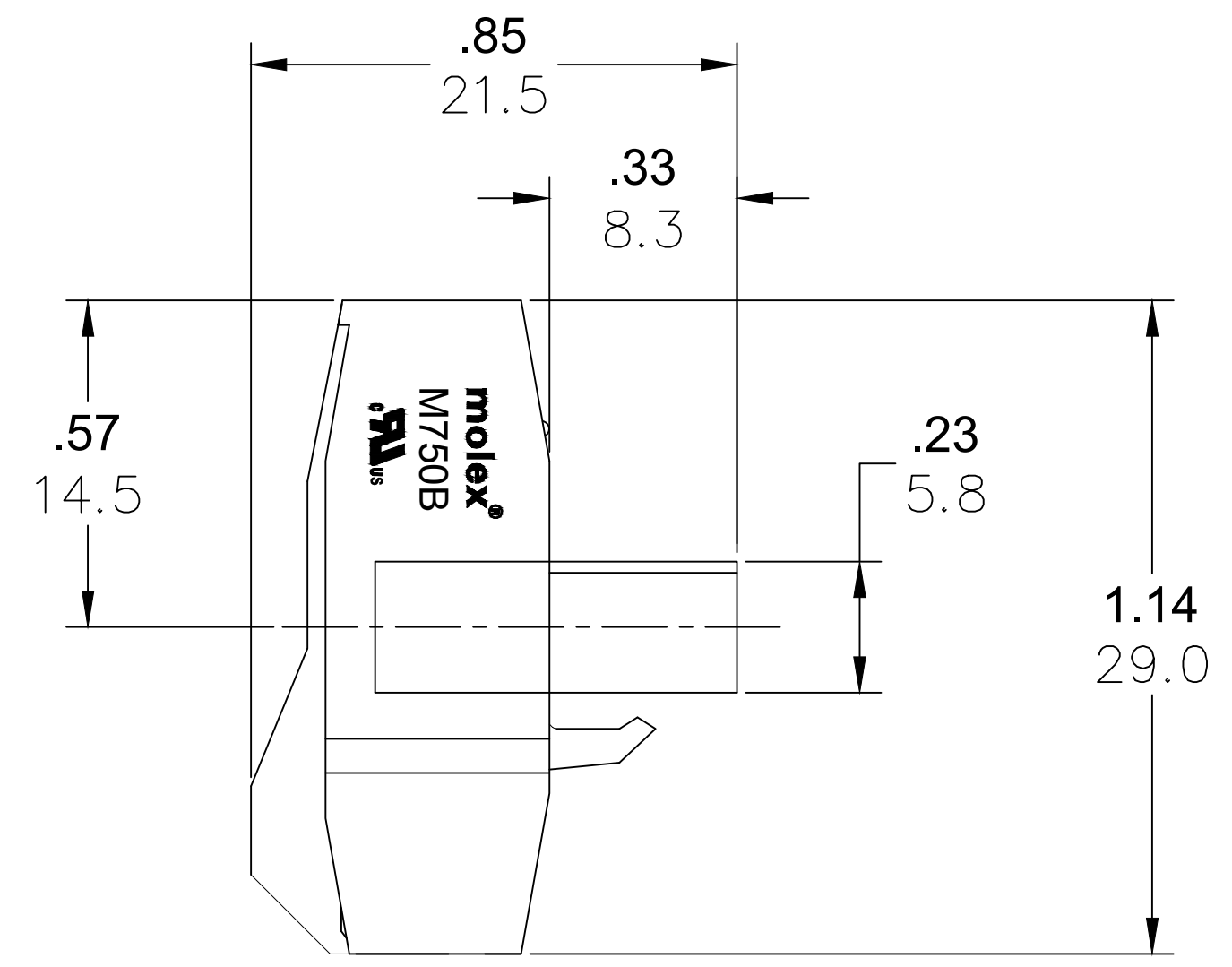
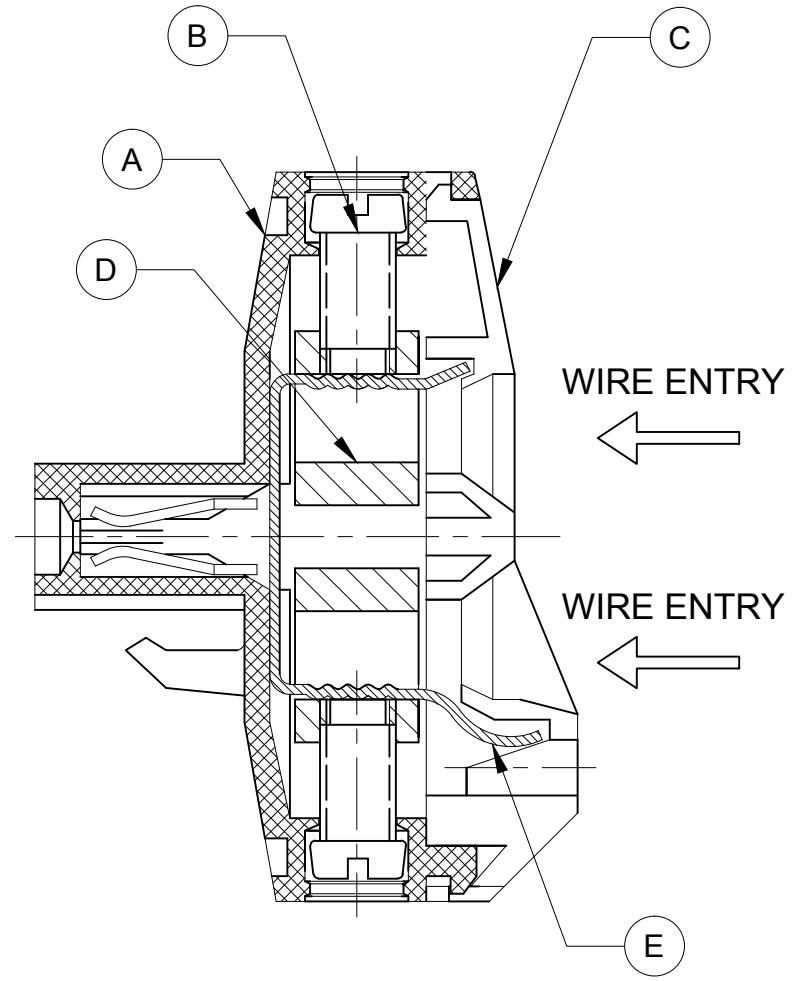
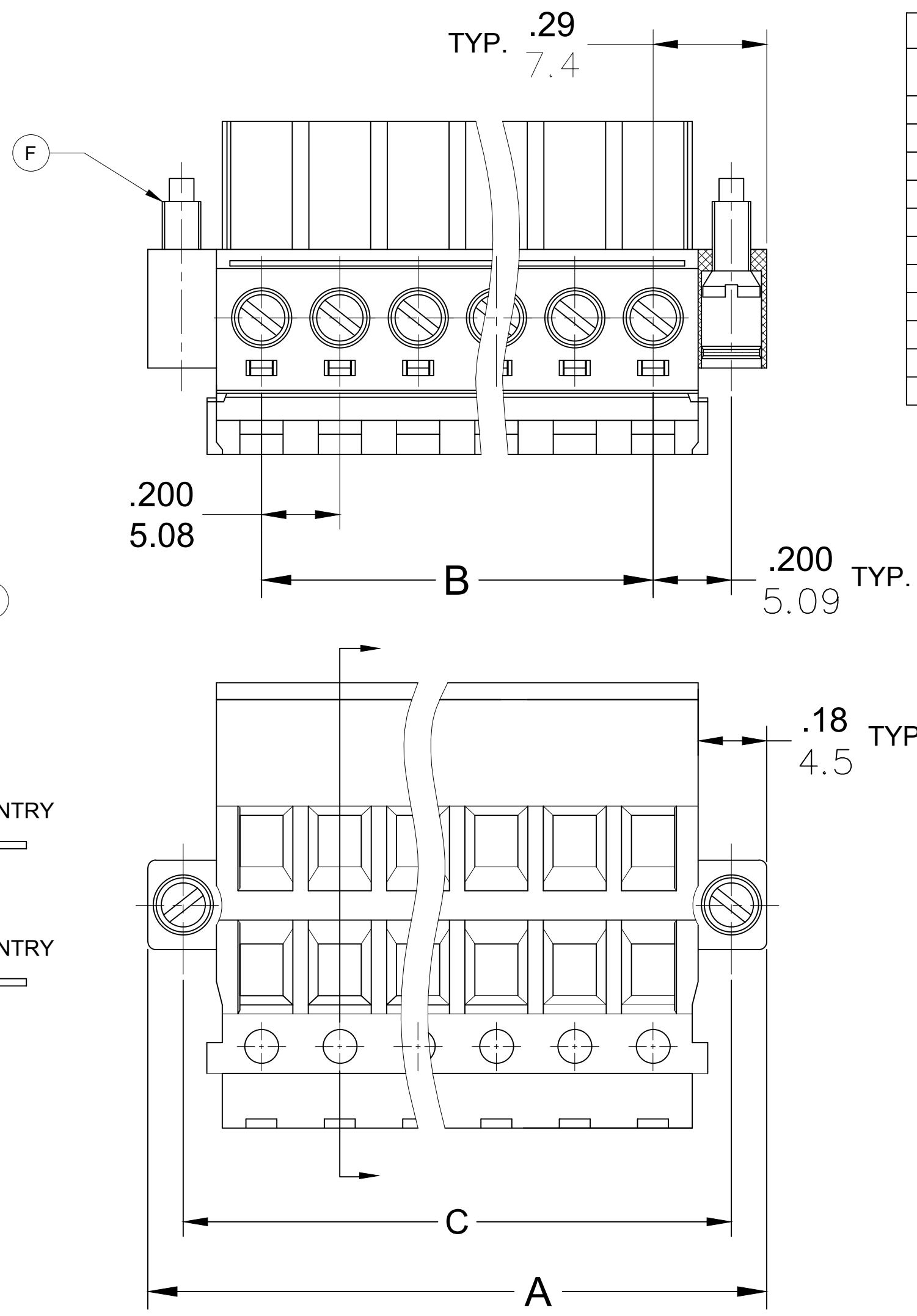


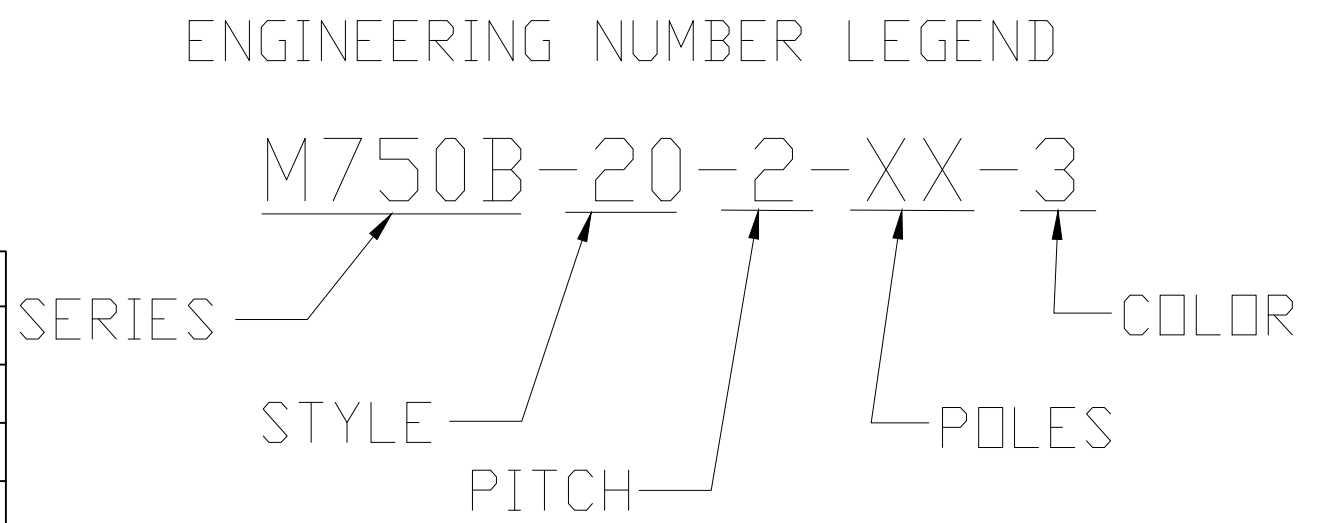
PART NUMBER DATA									
CIRCUITS	PART NUMBER	ENGINEERING NUMBER	COLOR	A IN mm		B IN mm		C IN mm	
2	397160002	M750B-20-2-02-3	GREEN	.78	19.8	.200	5.08	.600	15.24
3	397160003	M750B-20-2-03-3	GREEN	.98	24.9	.400	10.16	.800	20.32
4	397160004	M750B-20-2-04-3	GREEN	1.18	30.0	.600	15.24	1.000	25.40
5	397160005	M750B-20-2-05-3	GREEN	1.38	35.1	.800	20.32	1.200	30.48
6	397160006	M750B-20-2-06-3	GREEN	1.58	40.2	1.000	25.40	1.400	35.56
7	397160007	M750B-20-2-07-3	GREEN	1.78	45.2	1.200	30.48	1.600	40.64
8	397160008	M750B-20-2-08-3	GREEN	1.98	50.3	1.400	35.56	1.800	45.72
9	397160009	M750B-20-2-09-3	GREEN	2.18	55.4	1.600	40.64	2.000	50.80
10	397160010	M750B-20-2-10-3	GREEN	2.38	60.5	1.800	45.72	2.200	55.88
11	397160011	M750B-20-2-11-3	GREEN	2.58	65.6	2.000	50.80	2.400	60.96
12	397160012	M750B-20-2-12-3	GREEN	2.78	70.6	2.200	55.88	2.600	66.04

REF. LAST 2 DIGITS OF PART NUMBER EQUALS CIRCUIT COUNT



- SPECIFICATIONS**
- MATERIAL:**
 - A. BODY : PA66, UL94 V-0
 - B. SCREW: M3 STEEL, ZINC PLATED
 - C. COVER: PA66, UL94 V-0
 - D. CAGE: BRASS, NI PLATED
 - E. CONTACT: Cu ALLOY, TIN PLATED
 - F. MTG SCREW: M2.5, STEEL, ZINC PLATED
 - WIRE SIZE: 24~12AWG
 - RATING: 250V, 12A
 - MAX TORQUE: 4.9 IN LBS.
 - WIRE STRIP LENGTH: .39in. (10.0mm)
 - OPERATING TEMPERATURE: -40°C TO +105°C
 - DIMS SHOWN ARE FOR REFERENCE ONLY

TOLERANCES			
MM	TOL	INCH	TOL
0-6	±0.25	0-.24	±.010
>6-30	±0.40	.24-1.18	±.016
>30-120	±0.50	1.18-4.76	±.020
>120	±0.80	>4.76	±.031



REVISED DOC TOL EC NO.: ICG2017-0881 DRWN: ABENJAMI CHKD: --- APPR: BRUPERT 4/6/17 2014/10/16 DESCRIPTION REV	QUALITY SYMBOL	GENERAL TOLERANCES (UNLESS SPECIFIED)	DIMENSION STYLE IN/MM	SCALE ---	DESIGN UNITS METRIC	THIRD ANGLE PROJECTION	
	▽=0 ∇=0	4 PLACES ±--- ±--- 3 PLACES ±--- ±--- 2 PLACES ±--- ±--- 1 PLACE ±--- ±---	mm INCH	DRAWN BY RSTONE DATE 2014/04/24	TITLE		
		ANGULAR ±---°	DRAFT WHERE APPLICABLE MUST REMAIN WITHIN DIMENSIONS	CHECKED BY G FARNSW DATE ---	TERMINAL PLUG-HORIZ. 5.08MM, DBL WIRE ENTRY WITH MOUNTING ENDS		
	A1			APPROVED BY JFMURPHY DATE 2014/10/16	MOLEX INCORPORATED MATERIAL NO. SEE CHART DOCUMENT NO. SD-39716-001 SHEET NO. 1 OF 1		

THIS DRAWING CONTAINS INFORMATION THAT IS PROPRIETARY TO MOLEX INCORPORATED AND SHOULD NOT BE USED WITHOUT WRITTEN PERMISSION