



**Power Crimp Head for DIN Style Dies**

**Application Tooling Specification Sheet**



**Order No. 63816-1100**

**FEATURES**

- The Quick change Power Crimp Head is easily installed onto the Battery Powered Crimp Tool (Order No. 63816-1000)
- Powered crimp tools help reduce fatigue and discomfort from repetitive manual crimping and allow portability.

**SCOPE**

The 63816-1100 Power Crimp Head was created for crimping large lug terminals with the square Din Style crimp dies when used with the Battery Powered Crimp Tool (Order No. 63816-1000).

**Installation**

**Note:** Refer to Operation Manual TM-638161000 for further information regarding the Battery Powered Crimp Tool.

To install the crimp dies into the Power Crimp Head:

1. Slide out the two locking pins that attach the upper die holder portion of the crimp head to the Power Crimp Tool. The pins come out only far enough to remove the crimp head. The head will then slide off of the Power Crimp Tool holder. See Figure 1
2. Pull off the lower die holder from the ram on the Power Crimp Tool.
3. Slide the dies into the grooves of the upper portion of the crimp head and snap into position on the upper die holder. Then snap the lower die into the lower die holder. See Figure 2.
4. Re-install the upper and lower portions of the Crimp Head to the Power Crimping Tool in the reverse order.

**Operation**

 **CAUTION:** Never place fingers into the crimping tool jaws.

The 63816-1100 Power Crimp Head is parallel acting crimping tool for modular crimp dies. For operating instructions for crimping terminals with the Power Crimp Head in the Battery Powered tool, see the TM-638161000 Operation Manual, Section 2.2 *Operation*.

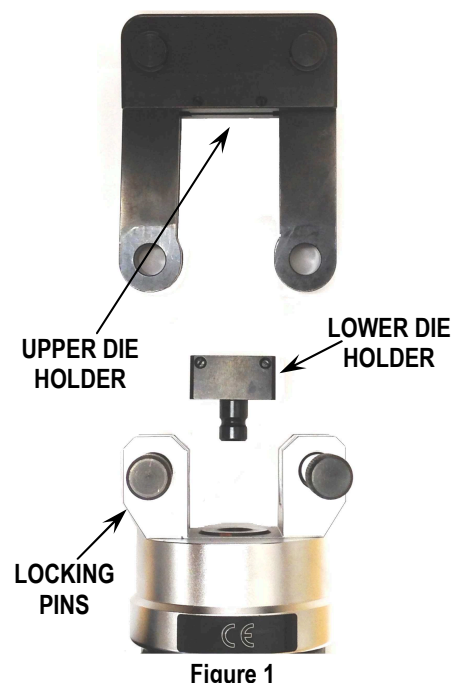


Figure 1

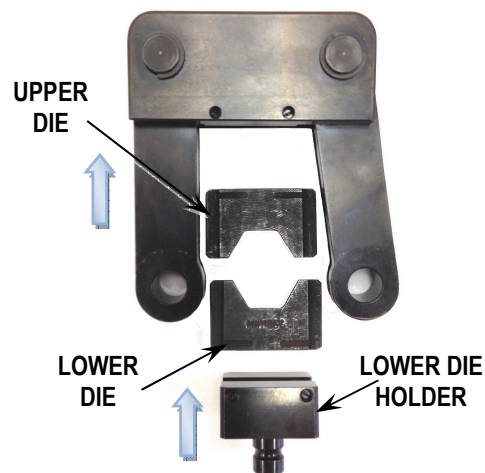


Figure 2

## Maintenance

It is recommended that each operator of the tool be made aware of, and responsible for, the following maintenance steps:

1. Remove dust, moisture and other contaminants with a clean brush, or soft, lint-free cloth.
2. Do not use any abrasive materials that could damage the tool.
3. Make certain all pins, and bearing surfaces in the tool head are protected with a thin coat of high quality machine oil. Do not oil excessively. This tool was engineered for durability, but like any fine piece of equipment, it needs cleaning and lubrication for a maximum service life of trouble-free crimping. Use a light oil, such as SAE 30 weight automotive oil, every 5,000 cycles or monthly, will significantly enhance the tool life and ensure a stable calibration.
4. Store the tool in a clean and dry area when not in use.

## Warranty

This tool is for terminal crimping purposes only. This tool is made of the best quality materials. All vital components are long life-tested. All tools are warranted free of manufacturing defects for a period of **30 days**. Should such a defect occur, we will repair or exchange the tool free of charge. This repair or exchange will not be applicable to alter, misused, or damaged tools.



**CAUTION:** Molex specifications are valid only when used with Molex tooling.

## Contact Information

For more information on Molex application tooling please contact Molex at 1-800-786-6539.

Visit our Web site at <http://www.molex.com>