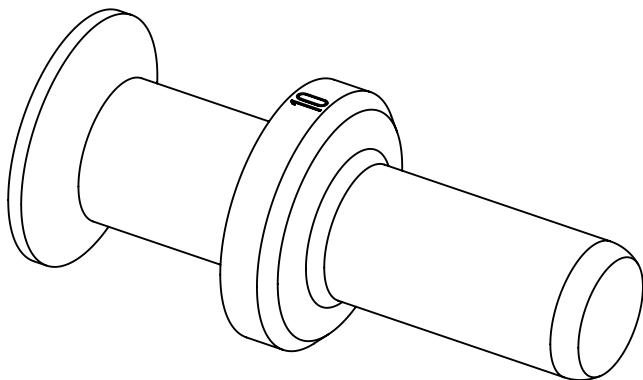


assembly notes see catalog  
 crimp zone acc. to DIN EN 46235, indicator 10  
 for stranded fine wire acc. to VDE 0295 class 5 / IEC 60228 class 5  
 wire gauge: 25mm<sup>2</sup>  
 stripping length: 19mm



	All Dimensions in mm Original Size DIN A4	Scale	Free size tol.			Ref.
		2:1				Sub.
	All rights reserved Department EL PD - DE	Created by	Inspected by	Standardisation	Date	State
		RULLKOETTER	SCHNIEDER	TIEMANNA	2016-03-03	Final Release
HARTING Electric GmbH & Co. KG D-32339 Espelkamp		Title Han TC200 Stiftkontakt 25mm <sup>2</sup>				Doc-Key / ECM-Nr. 100182348/UGD/005/C 500000101267
		Type	Number			Rev.
		TB	09 11 000 6120			C 1/1