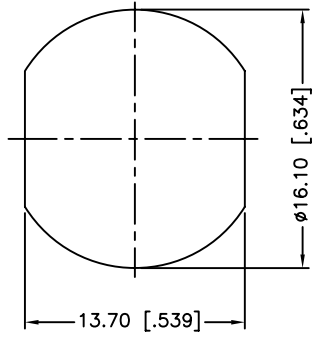
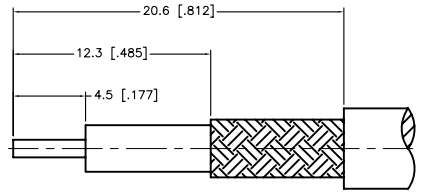


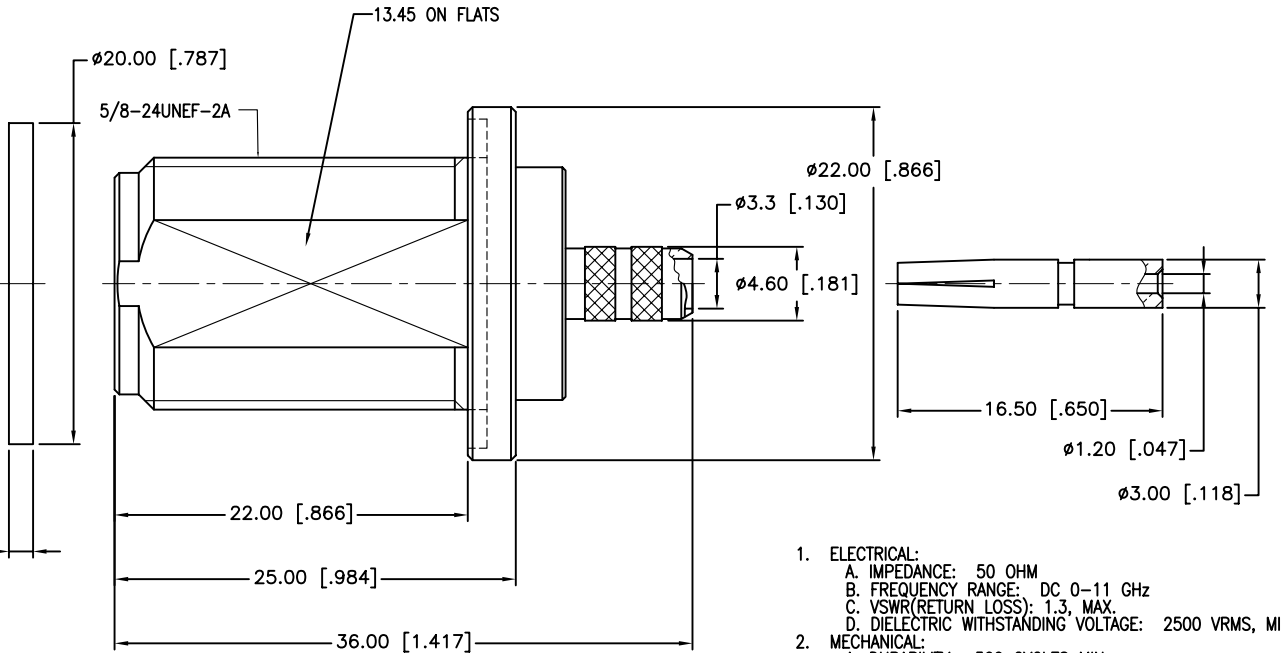
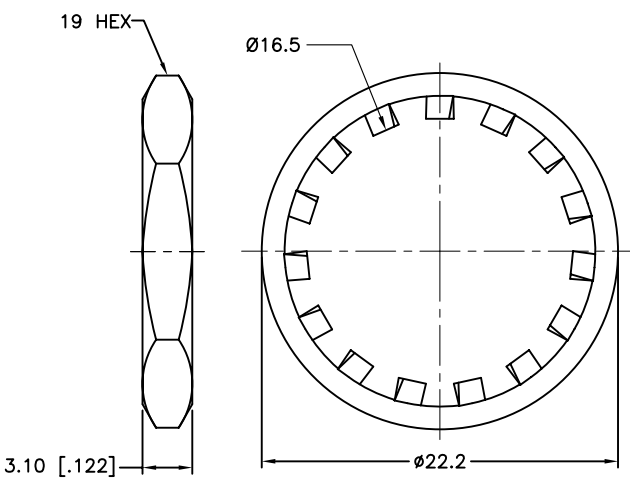
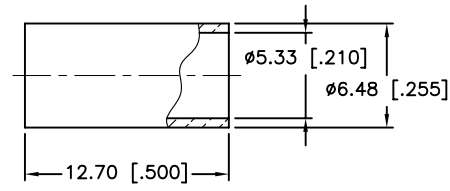
REV.	DATE	ECR NO.	DESCRIPTION
NC	08/10/98	XXXXXX	INITIAL RELEASE
A	05/25/12	2318	UPDATE FORMAT



RECOMMENDED MOUNTING HOLE



RECOMMENDED CABLE STRIPPING DIM'S



- ELECTRICAL:
 - A. IMPEDANCE: 50 OHM
 - B. FREQUENCY RANGE: DC 0-11 GHz
 - C. VSWR(RETURN LOSS): 1.3, MAX.
 - D. DIELECTRIC WITHSTANDING VOLTAGE: 2500 VRMS, MIN.
- MECHANICAL:
 - A. DURABILITY: 500 CYCLES MIN.
 - B. TEMPERATURE RANGE: - 40°C to +155°C
- CRIMPED FERRULE
 - HEX CRIMP SIZE .213"
 - CRIMPED CONTACT PIN
 - HEX CRIMP SIZE .100"

QTY	FINISH	MATERIAL	DESCRIPTION
1	NEXCOTE	BRASS	BODY
2	NATURAL	PTFE	INSULATOR
3	NEXCOTE	BRASS	BARREL
4	RED	SILICONE RUBBER	GASKET
5	NEXCOTE	BRASS	LOCK WASHER
6	NEXCOTE	BRASS	HEX NUT
7	GOLD	PHOSPHOR BRONZE	CONTACT PIN
8	1	BRASS	FERRULE

UNLESS OTHERWISE SPECIFIED DIMENSIONS ARE IN MILLIMETERS; DIMENSIONS IN [] ARE IN INCHES AND FOR CUSTOMER REFERENCE ONLY.

UNLESS OTHERWISE SPECIFIED TOLERANCES FOR MILLIMETERS ARE:
 0.5 - 8mm ± 0.20mm
 8 - 30mm ± 0.40mm
 30 - 120mm ± 0.50mm

UNLESS OTHERWISE SPECIFIED TOLERANCES FOR INCHES ARE:
 .020 - .315 = ± 0.007"
 .315 - 1.180 = ± 0.015"
 1.180 - 4.724 = ± 0.020"

DO NOT SCALE DRAWING

APPROVALS	DATE
DRAWN S.LI	05/25/12
CHECKED	
ISSUED	
SHEET 1 OF 1	
CAD FILE	C:/CONNEX/172217.DWG

Amphenol Connex

PART DESCRIPTION
N BULKHEAD CRIMP JACK - LMR 200
 (FOR RG-174/U,188A/U,316/U CABLE)

PART NO.
172217

DWG. NO.	172217	REV.	A	SIZE	A	SCALE	NA
----------	--------	------	---	------	---	-------	----