

1 2 3 4 5 6

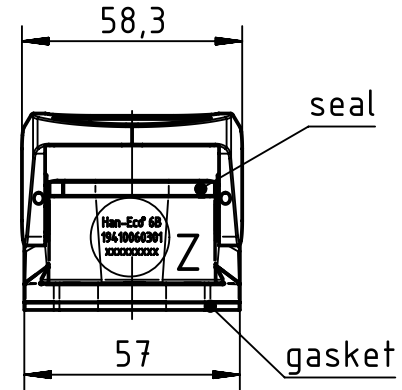
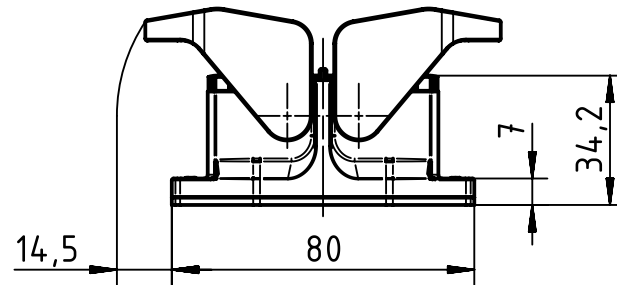
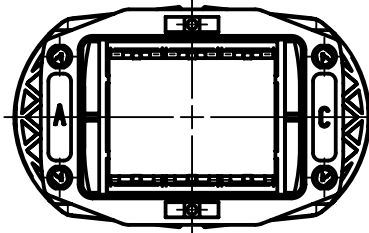
A

B

C

D

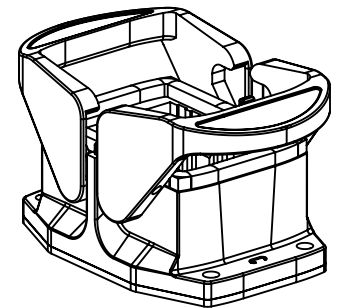
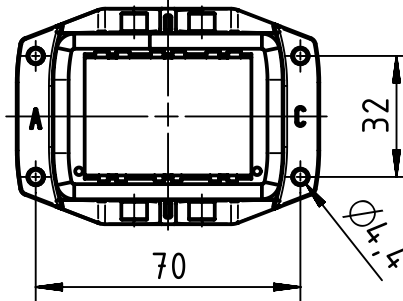
view without gasket



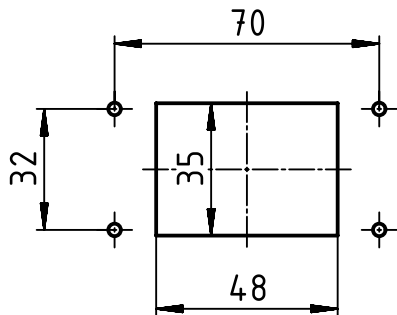
Z (1:1)


Han-Eco 6B
194-10060301
xxxxxxxx

view without lever



panel cut out



	All Dimensions in mm Original Size DIN A4		Scale 1:2 Free size tol.		Ref. Sub. 19 41 006 0301 v.14.02.12	
	All rights reserved Department EL PD - DE		Created by DICK	Inspected by HERBRECHTSME	Standardisation TIEMANNA	Date 2015-08-21
HARTING Electric GmbH & Co. KG D-32339 Espelkamp			Title Han-Eco 6B-HBM			Doc-Key / ECM-Nr. 100186482/UGD/009/A 500000093433
			Type TB	Number 19 41 006 0301		Rev. A Page 1/1