

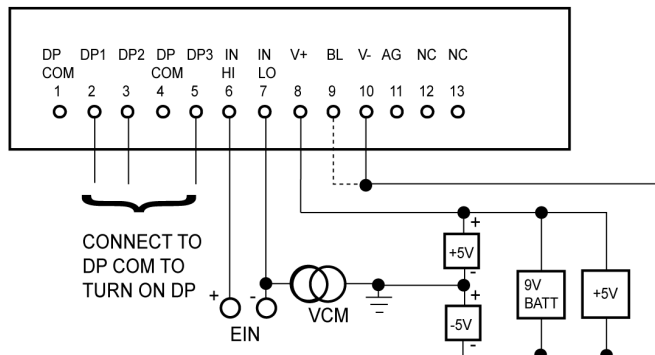
13 Pin - Mini Wiring

CONNECTION DESCRIPTIONS

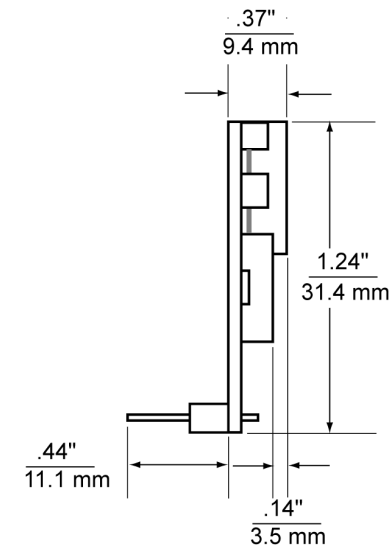
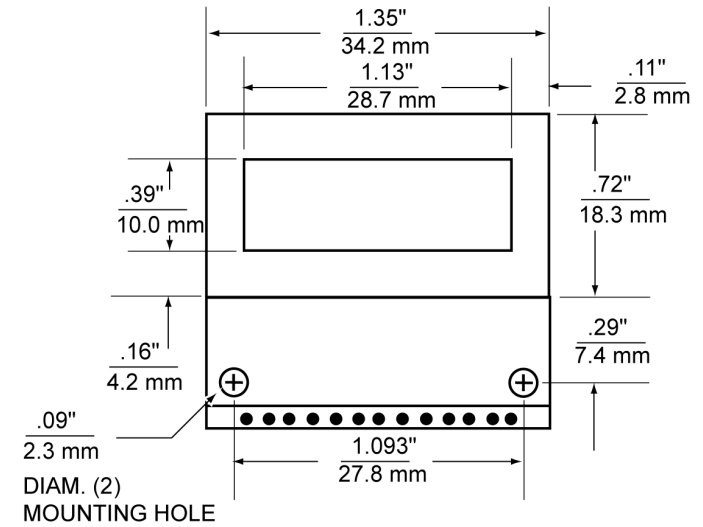
PIN#	DESCRIPTION
1	DP COM CONNECT TO SELECTED DECIMAL POINT
2	DP1 DP XXX.X
3	DP2 DP XX.XX
4	DP COM CONNECTED TO SELECTED DECIMAL POINT
5	DP3 DP X.XXX
6	IN HI INPUT SIGNAL HI
7	IN LO INPUT SIGNAL LO
8	V+ +5 VOLT POWER, +9V POWER
9	BL CONNECT TO V- FOR BACKLIGHTING
10	V- -5 VOLT POWER, GROUND FOR 5V, +9V
11	AG CONNECT TO IN LO FOR 9V ISOLATED OPERATION
12	N.C.
13	N.C.

} NO CONNECTION

POWER CONNECTIONS



13 Pin - Mini Dimensions



OPTIONAL BEZEL CUTOUT DIMENSIONS

