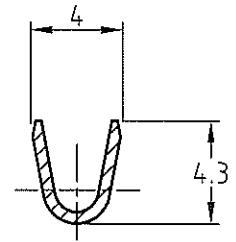
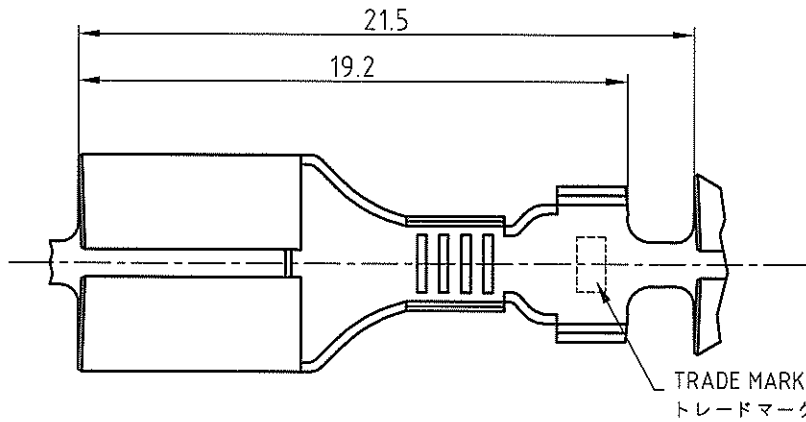
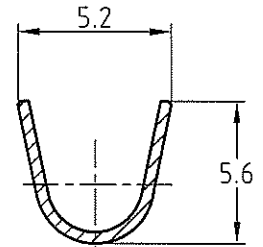
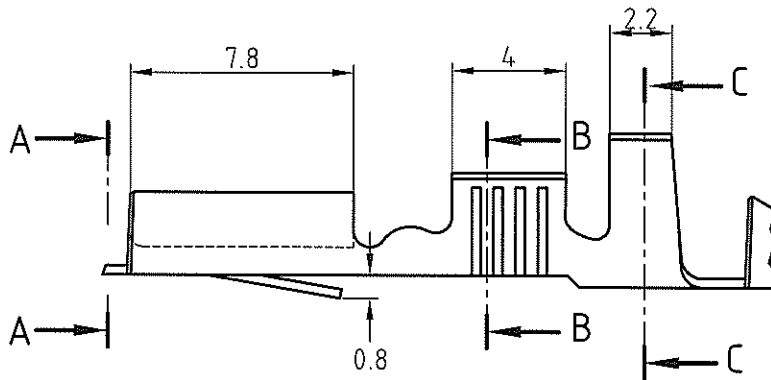


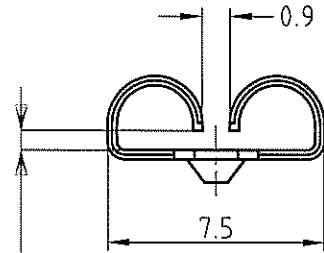
LOC J	DIST —	REVISIONS 変更			DATE	OWN	APVD
P	LTR	DESCRIPTION					
	D	REDRAWN WITH CHANGE	ECR-07-011381	15MAY'07	J.S	S.M	



SECT
断面 B-B



SECT
断面 C-C



この寸法はかん合力によって規定する。
THIS DIMENSION IS CONTROLLED WITH MATING FORCE

VIEW
矢視 A-A

NOTE;

- △ STRESS RELIEVING FINISH IS SUBJECT TO CHANGE BY THE TYPE OF STRESS RELIVING PROCESS
INERT GAS FURNACE --- 無光沢
ATMOSPHERIC FURNACE FOLLOWED BY ACID PICKLE --- 光沢

注;

- △ ストレス除去処理
処理法により外観が変わります。
不活性ガス加熱方式 --- 無光沢
大気加熱方式 --- 光沢

170088	TIN PLATING	BRASS THICKNESS	170089-2
170030	鉛めっき	黄銅 板厚0.32	
170088	△	BRASS THICKNESS	170089-1
170030		黄銅 板厚0.32	
P/N OF MATING TAB	FINISH	MATERIAL	PART NO.
かん合タブ型番	仕上	材質	型番

WIRE RANGE 適合電線断面径
2.0~3.37mm² (AWG#14-12)

INSULATION DIA 被覆外径
2.9~3.8mm ϕ

DIMENSIONS:
単位: 耗
mm

DWN J.SATO 15MAY2007

MATERIAL 材料 SEE TABLE FINISH 仕上 SEE TABLE

TOLERANCES UNLESS OTHERWISE SPECIFIED:
一般公差

CHK S.MANABE 15MAY2007
APVD S.MANABE 15MAY2007

Tyco Electronics Tyco Electronics AMP K.K.
Kawasaki, Japan

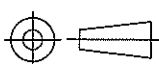
GENERAL TOLERANCE
:±0.4

PRODUCT SPEC
製品規格

NAME 名称 .250 SERIES RECEPTACLE WITH LATCH

APPLICATION SPEC
取付適用規格
114-5052

SIZE A4 CAGE CODE 00779 DRAWING NO 番号 170089 RESTRICTED TO —



WEIGHT
CUSTOMER DRAWING

SCALE 尺度 4:1 SHEET 1 OF 1 REV D

THIS DRAWING IS UNPUBLISHED.

RELEASED FOR PUBLICATION
ALL RIGHTS RESERVED.

COPYRIGHT BY TYCO ELECTRONICS CORPORATION.