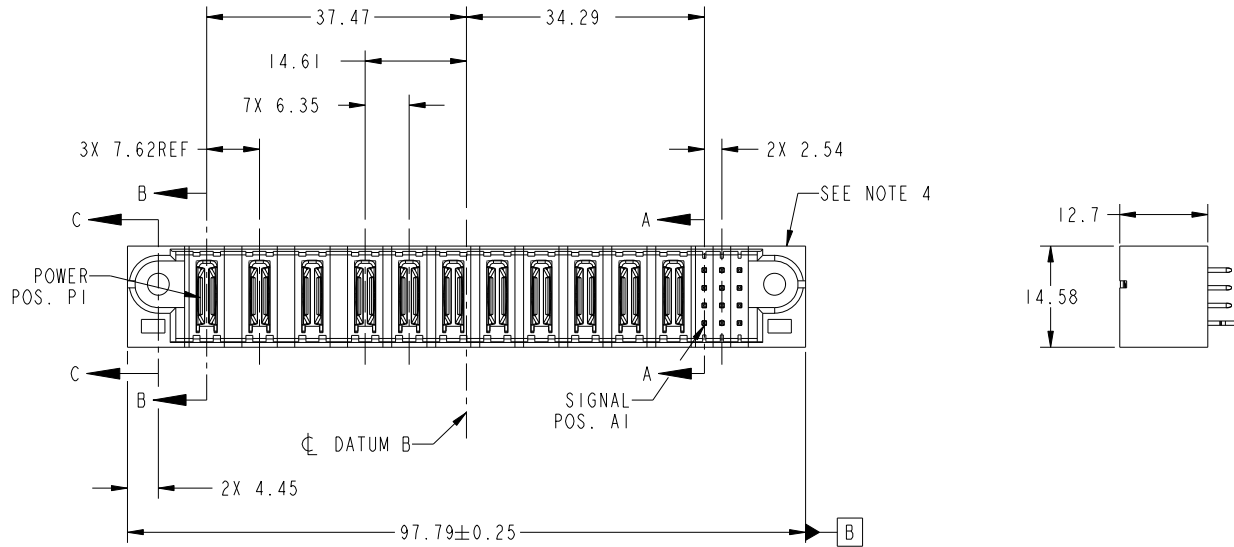


Tous droits strictement reserves. Reproduction ou communication a des tiers interdite sous quelque forme que ce soit sans autorisation écrite du propriétaire. Propriete de c FCI. Droits de reproduction FCI.



All rights strictly reserved. Reproduction or issue to third parties in any form whatever is not permitted without written authority from the proprietor. Property of FCI. Copyright FCI.

PRODUCT NO.	ROWS	POWER										SIGNAL			E2		
		E1	P1	P2	P3	P4	P5	P6	P7	P8	P9	P10	P11	1		2	3
51952-147-- NOTE ③	D C B A																



CODE	DIM "M" MATING LENGTH	CONTACT TYPE
PA	[N/A]	POWER
E	[6.86]	SIGNAL
HA	[N/A]	HOLD-DOWN

mat'l code				tolerances unless otherwise specified		CUSTOMER			
ltr	ecn no.	dr	date	linear	0.X ± 0.5	COPY		www.fciconnect.com	
A	DG09-0108	WD	04/09/09	angles	0.XX ± 0.25	projection		title	
					0.XXX ± 0.1			IIP + 12S VERTICAL SOLDER HEADER	
					0° ± 2°	MIM		product family PwrBlade code	
				dr	Warren Du 04/06/09	← MIM →		size 213	
				enr	Warren Du 04/06/09	scale		dwg no 51952-147 sheet	
				chr	PM ZHENG 04/06/09	1:1		1 of 4	
				appd	JOSEPH HSIA 04/06/09				
sheet index	revision sheet	A	A	A	A				
		1	2	3	4				

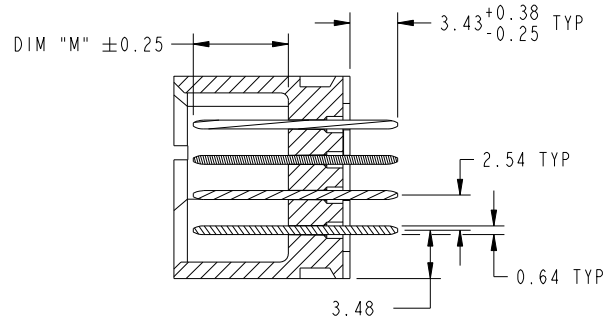
cage code 22526

Tous droits strictement reserves. Reproduction ou communication a des tiers interdite sous quelque forme que ce soit sans autorisation ecrite du proprietaire. Propriete de c FCI. Droits de reproduction FCI.

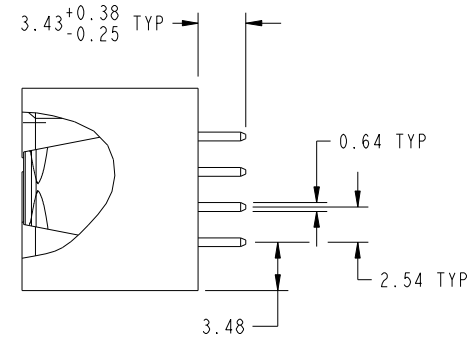
All rights strictly reserved. Reproduction or issue to third parties in any form whatever is not permitted without written authority from the proprietor. Property of FCI. Copyright FCI.



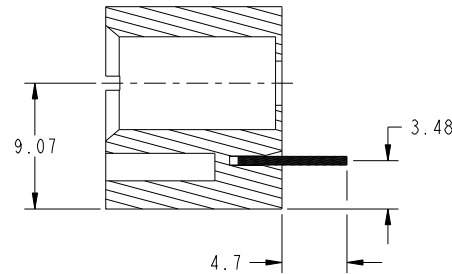
PRODUCT NUMBER
51952-147__
NOTE 3



SECTION A-A
SCALE 2:1



SECTION B-B
SCALE 2:1



SECTION C-C
SCALE 2:1

mat'l code				tolerances unless otherwise specified		CUSTOMER		FCI	
ltr	ecn no.	dr	date	linear	0.X ±0.5	COPY		www.fciconnect.com	
A					0.XX ±0.25	projection		title	
				angles	0.XXX ±0.1			11P + 12S VERTICAL SOLDER HEADER	
				dr	0° ±2°	MIM		product family PwrBlade code	
				enr	Warren Du 04/06/09	← MIM →		size 213	
				chr	Warren Du 04/06/09	scale		dwg no 51952-147 sheet	
				appd	PM ZHENG 04/06/09	1:1		2 of 4	
					JOSEPH HSIA 04/06/09				
sheet index	revision sheet								

cage code 22526

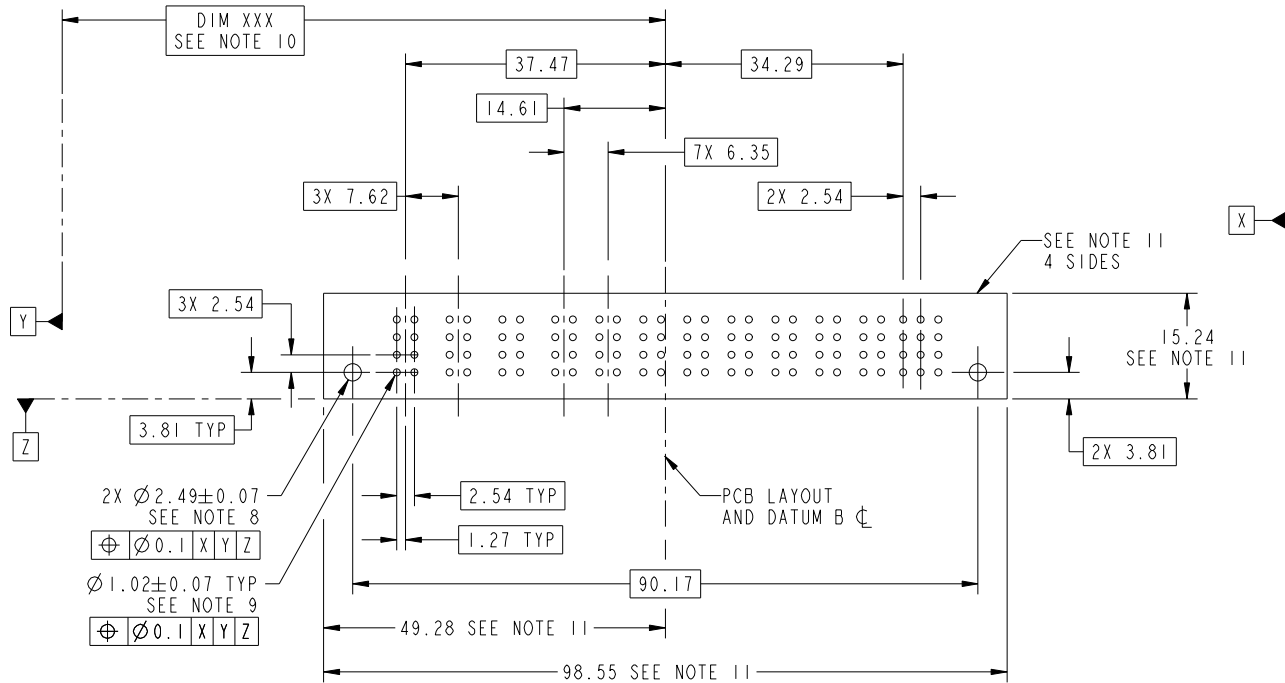
Pro/E

Tous droits strictement reserves. Reproduction ou communication a des tiers interdite sous quelque forme que ce soit sans autorisation ecrite du proprietaire. Propriete de c FCI. Droits de reproduction FCI.



All rights strictly reserved. Reproduction or issue to third parties in any form whatever is not permitted without written authority from the proprietor. Property of FCI. Copyright FCI.

PRODUCT NUMBER
51952-147__
NOTE 3



RECOMMENDED PCB LAYOUT

mat'l code				tolerances unless otherwise specified		CUSTOMER		FCI	
ltr	ecn no.	dr	date	linear	0.X ±0.5	COPY		www.fciconnect.com	
A					0.XX ±0.25	projection		title	
				angles	0.XXX ±0.1			11P + 12S VERTICAL SOLDER HEADER	
				dr	0° ±2°			product family PwrBlade code 213	
				enr	Warren Du 04/06/09	scale		size dwg no 213	
				chr	Warren Du 04/06/09	1:1		sheet 3 of 4	
				appd	PM ZHENG 04/06/09	A		51952-147	
					JOSEPH HSIA 04/06/09				
sheet index	revision sheet								

cage code 22526

Pro/E

Tous droits strictement reserves. Reproduction ou communication a des tiers interdite sous quelque forme que ce soit sans autorisation ecrite du proprietaire. Propriete de c FCI. Droits de reproduction FCI.



All rights strictly reserved. Reproduction or issue to third parties in any form whatever is not permitted without written authority from the proprietor. Property of FCI. Copyright FCI.

PRODUCT NUMBER
51952-147--
NOTE 3

NOTES:

1. DIMENSIONS AND TOLERANCES ARE IN ACCORDANCE WITH ASME Y14.5M, 1994 UNLESS OTHERWISE SPECIFIED.

CONNECTOR NOTES:

- 2 HOUSING MATERIAL: UL 94 V-0 GLASS FILLED HIGH-TEMP THERMOPLASTIC
POWER CONTACT MATERIAL: COPPER ALLOY
SIGNAL PIN MATERIAL: COPPER ALLOY
 - 3. SEE ITEM 1 & 2 IN PRINT 10064183 FOR PLATING SPEC OF 51952-147 AND 51952-147LF RESPECTIVELY.
 - 4 MANUFACTURER'S NAME, P/N, AND DATE CODE TO APPEAR ON THIS SURFACE.
 - 5. PRODUCT SPECIFICATION GS-12-149.
APPLICATION SPECIFICATION BUS-20-067.
 - 6. PACKAGED IN TRAYS.
- PCB NOTES:
- 7. ALL HOLE DIAMETERS ARE FINISHED HOLE SIZE.
 - 8. MOUNTING HOLES, WHERE APPLICABLE, ARE UNPLATED.
 - 9 $\varnothing 1.151 \pm 0.025$ DRILLED HOLES PLATED WITH
0.008 MIN SnPb OR Sn OVER .001 [0.03]
TO 0.08 Cu PLATING TO ACHIEVE
 $\varnothing 1.02 \pm .07$ HOLE.
 - 10 "DIM XXX" TO BE DETERMINED BY THE CUSTOMER.
 - 11 CONNECTOR KEEP-OUT ZONE.

mat'l code				tolerances unless otherwise specified		CUSTOMER		FCI	
ltr	ecn no.	dr	date	linear	0.X ± 0.5	COPY		www.fciconnect.com	
A					0.XX ± 0.25	projection	title		
					0.XXX ± 0.1		IIP + 12S VERTICAL SOLDER HEADER		
				angles	0° + 2°			product family PwrBlade code	
		dr	Warren Du	04/06/09	MIM		size	213	
		enr	Warren Du	04/06/09	← MIM →		dwg no	51952-147	
		chr	PM ZHENG	04/06/09	scale		A	sheet	
		appd	JOSEPH HSIA	04/06/09	1:1		4 of 4		
sheet index	revision sheet								

cage code 22526

Pro/E