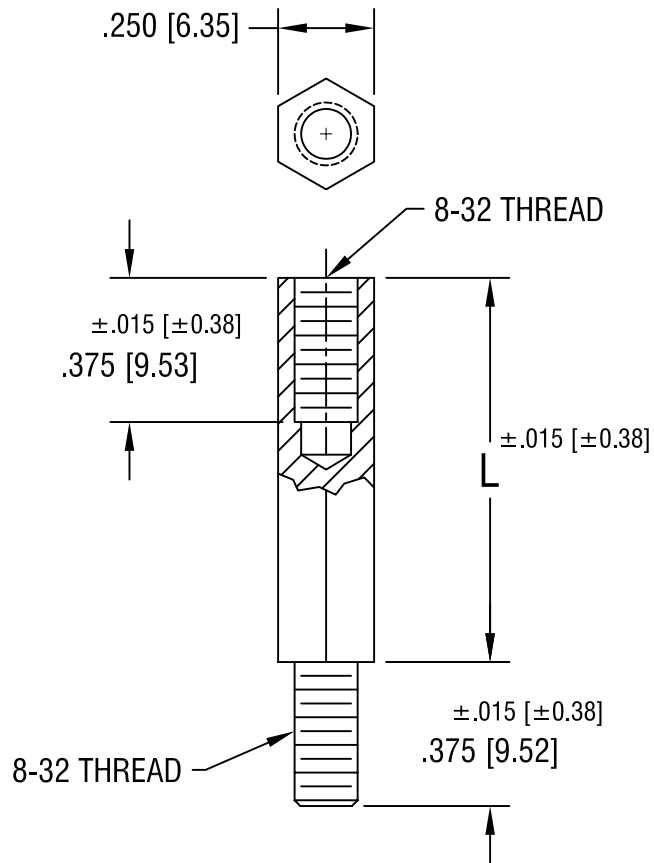


THIS DOCUMENT IS THE PROPERTY OF
KEYSTONE ELECTRONICS CORP. AND
SHALL NOT BE REPRODUCED, DISTRIBUTED
OR USED AS A BASIS FOR MANUFACTURE
WITHOUT PRIOR WRITTEN PERMISSION
FROM KEYSTONE ELECTRONICS CORP.



| PART NO. | 'L' DIM. |
|----------|---------------|
| 4830 | .500 [12.70] |
| 4831 | .625 [15.87] |
| 4832 | .750 [19.05] |
| 4833 | .875 [22.22] |
| 4834 | 1.000 [25.4] |
| 4835 | 1.125 [28.57] |

KEYSTONE ELECTRONICS CORP.

ASTORIA, N.Y. 11105-2017

PART NAME

NYLON M/F HEX STANDOFF

MATERIAL

NYLON 6/6

FINISH

-

DRN BY

BOONE

DATE

5.3.02

APP'D

LN

SCALE

2X

TOLERANCES

INCH [MM]

DECIMAL ±.005 [±0.15]

ANGULAR ± 1°
UNLESS OTHERWISE SPECIFIED

CODE

DWG NO.

C/M

4830-4835

DATE

DESCRIPTION

REV.