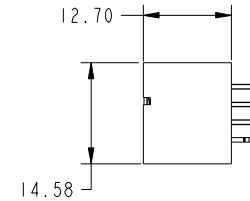
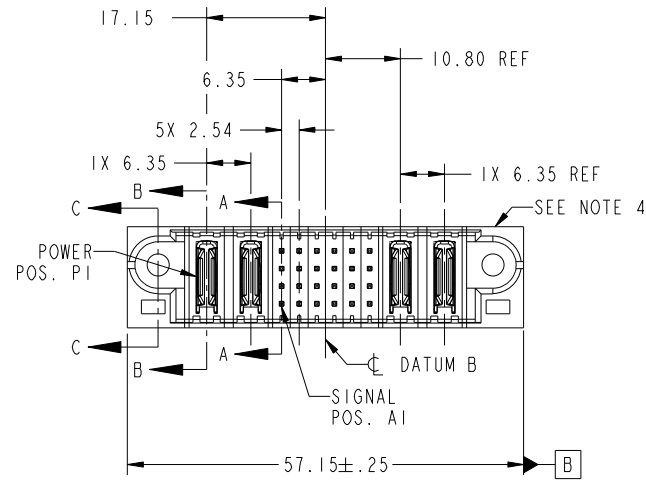


Tous droits strictement reserves. Reproduction ou communication a des tiers interdite sous quelque forme que ce soit sans autorisation écrite du propriétaire. Propriete de c FCI. Droits de reproduction FCI.



All rights strictly reserved. Reproduction or issue to third parties in any form whatever is not permitted without written authority from the proprietor. Property of FCI. Copyright FCI.

PRODUCT NO.	ROWS	POWER		SIGNAL						POWER		E2			
		E1	P1	P2	1	2	3	4	5	6	P3		P4		
51710-024-- NOTE ③	DCBA				F	F	F	F	F	F	F	F			
					F	F	F	F	F	F	F	F			
					F	F	F	F	F	F	F	F			



CODE	DIM "M" MATING LENGTH	CONTACT TYPE
PB	[N/A]	POWER
F	[6.86]	SIGNAL
HA	[N/A]	HOLD-DOWN
J	[5.59]	SIGNAL

mat'l code				tolerances unless otherwise specified				CUSTOMER		FCI	
ltr	ecn no.	dr	date	linear	0.X ± 0.5	COPY		www.fciconnect.com			
A	DG06-0267	JULIA	06/22/06		0.XX ± 0.25	projection		title 2P+24S+2P VERTICAL HEADER SOLDER			
B	DG08-0273	JW	12/26/08	angles	0.XXX ± 0.10			product family PwrBlade code 213			
				dr	0° ± 2°	MIM		size dwg no 51710-024 sheet 1 of 4			
				enr	JULIA WANG 06/22/06	scale 1:1					
				chr	SLUO 06/22/06						
				appd	BEER FU 06/22/06						
					JOSEPH HSIA 06/22/06						
sheet index	revision sheet	B 1	B 2	B 3	B 4						

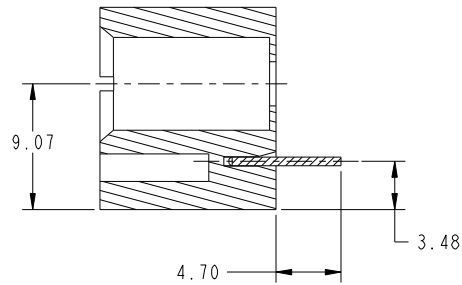
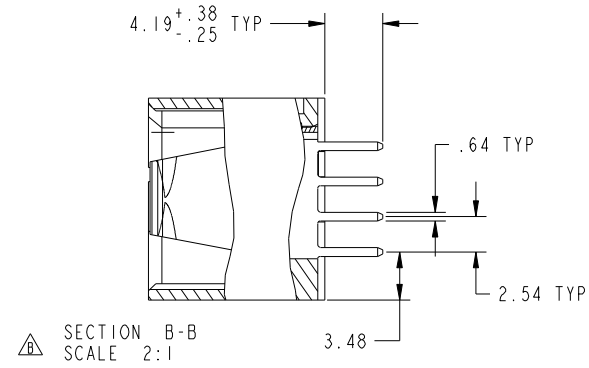
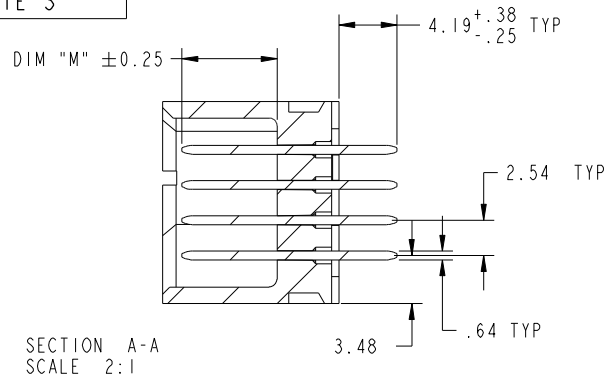
cage code 22526

Tous droits strictement reserves. Reproduction ou communication a des tiers interdite sous quelque forme que ce soit sans autorisation écrite du propriétaire. Propriete de c FCI. Droits de reproduction FCI.

All rights strictly reserved. Reproduction or issue to third parties in any form whatever is not permitted without written authority from the proprietor. Property of FCI. Copyright FCI.



PRODUCT NUMBER
51710-024__
NOTE 3



mat'l code				tolerances unless otherwise specified		CUSTOMER		 www.fciconnect.com	
ltr	ecn no.	dr	date	linear	0.X ±0.5	COPY		title	
B					0.XX ±0.25	projection		2P+24S+2P	
				angles	0.XXX ±0.10			VERTICAL HEADER SOLDER	
				dr	0° ±2°			product family PwrBlade code	
				enr	JULIA WANG 06/22/06	scale		size	
				chr	SLUO 06/22/06	1:1		dwg no 213	
				appd	BEER FU 06/22/06			sheet	
					JOSEPH HSIA 06/22/06			2 of 4	
sheet index		revision sheet							

cage code 22526

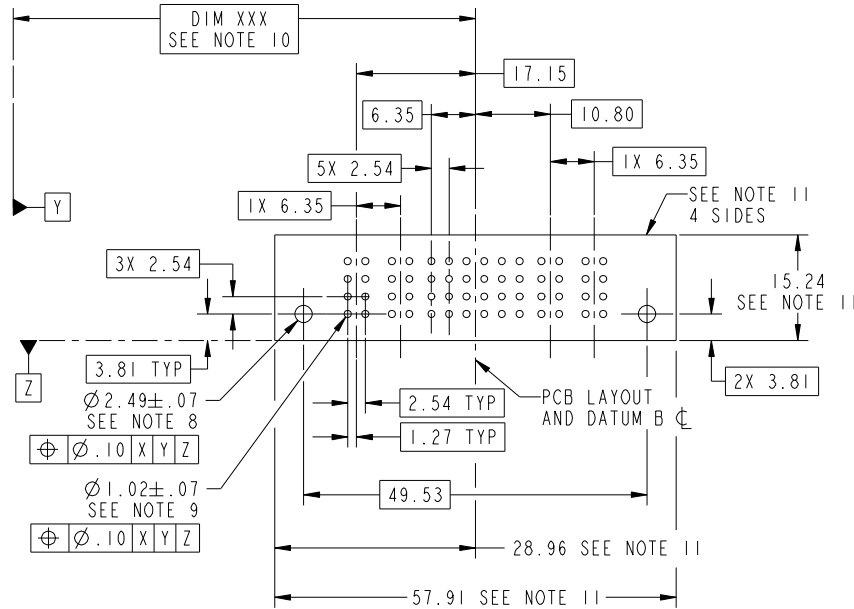
Pro/E

Tous droits strictement reserves. Reproduction ou communication a des tiers interdite sous quelque forme que ce soit sans autorisation écrite du propriétaire. Propriete de c FCI. Droits de reproduction FCI.



All rights strictly reserved. Reproduction or issue to third parties in any form whatever is not permitted without written authority from the proprietor. Property of FCI. Copyright FCI.

PRODUCT NUMBER
51710-024__
NOTE 3



mat'l code				tolerances unless otherwise specified		CUSTOMER		FCI	
ltr	ecn no.	dr	date	linear	0.X ±0.5	COPY		www.fciconnect.com	
B				linear	0.XX ±0.25	projection	title		
				angles	0.XXX ±0.10		2P+24S+2P VERTICAL HEADER SOLDER		
				dr	0 ±2°	MIM		product family	PwrBlade
				enr	JULIA WANG 06/22/06	scale		size	code
				chr	SLUO 06/22/06	1:1		dwg no	213
				appd	BEER FU 06/22/06			A	51710-024
					JOSEPH HSIA 06/22/06				
sheet index	revision sheet								

cage code 22526

Pro/E

Tous droits strictement reserves. Reproduction ou communication a des tiers interdite sous quelque forme que ce soit sans autorisation écrite du propriétaire. Propriete de c FCI. Droits de reproduction FCI.



All rights strictly reserved. Reproduction or issue to third parties in any form whatever is not permitted without written authority from the proprietor. Property of FCI. Copyright FCI.

PRODUCT NUMBER
51710-024--
NOTE 3

NOTES:

1. DIMENSIONS AND TOLERANCES ARE IN ACCORDANCE WITH ASME Y14.5M, 1994 UNLESS OTHERWISE SPECIFIED.

CONNECTOR NOTES:

- 2 HOUSING MATERIAL: UL 94 V-0 GLASS FILLED
HIGH-TEMP THERMOPLASTIC
POWER CONTACT MATERIAL: COPPER ALLOY
SIGNAL PIN MATERIAL: COPPER ALLOY
- 3. PLATING:
SEE ITEM 1 & 2 IN PRINT 10064183 FOR PLATING SPEC OF 51710-024; 51710-024LF PRESPECTIVELY
- 4 MANUFACTURER'S NAME, P/N, AND DATE CODE TO APPEAR ON THIS SURFACE.
- 5. PRODUCT SPECIFICATION GS-12-149.
APPLICATION SPECIFICATION BUS-20-067.
- 6. PACKAGED IN TRAYS.

PCB NOTES:

- 7. ALL HOLE DIAMETERS ARE FINISHED HOLE SIZE.
- 8. MOUNTING HOLES, WHERE APPLICABLE, ARE UNPLATED.
- 9 $\varnothing 1.151 \pm 0.025$ DRILLED HOLES PLATED WITH
0.008 MIN SnPb OVER .001 [0.03]
TO 0.08 Cu PLATING TO ACHIEVE
 $\varnothing 1.02 \pm .07$ HOLE.
- 10 "DIM XXX" TO BE DETERMINED BY THE CUSTOMER.
- 11 CONNECTOR KEEP-OUT ZONE.
- 12. A Δ SYMBOL WILL BE NEXT TO ANY DIMENSION, VIEW, OR NOTE WHICH HAS BEEN MODIFIED WITH THE CURRENT DRAWING REVISION.

mat'l code				tolerances unless otherwise specified		CUSTOMER		FCI	
ltr	ecn no.	dr	date	linear	0.X ± 0.5	COPY		www.fciconnect.com	
B				linear	0.XX ± 0.25	projection	title		
				angles	0.XXX ± 0.10		2P+24S+2P VERTICAL HEADER SOLDER		
				dr	0° + 2°	MIM	product family	PwrBlade	code
				enr	JULIA WANG 06/22/06	← MIM →	size	dwg no	213
				chr	SLUO 06/22/06	scale	A	51710-024	sheet
				appd	BEER FU 06/22/06	1:1			4 of 4
					JOSEPH HSIA 06/22/06				
sheet index	revision sheet								

cage code 22526

Pro/E