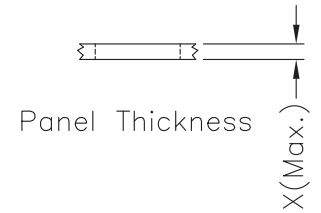
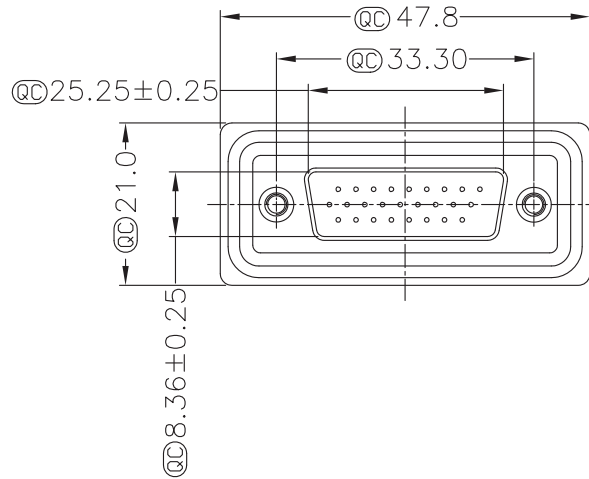
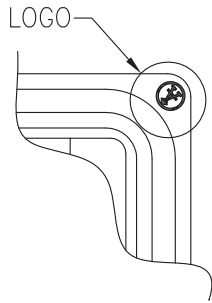
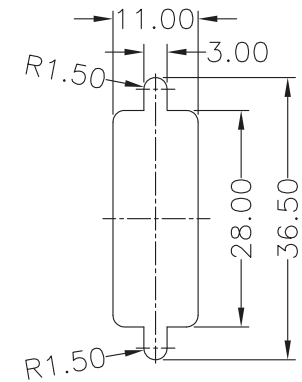
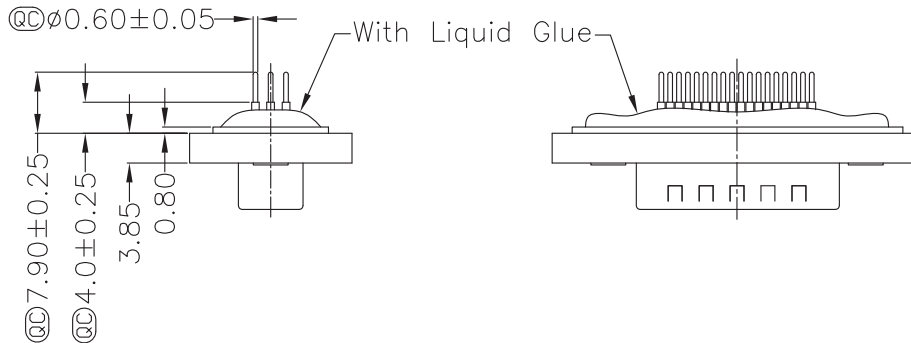
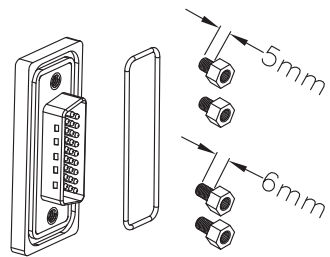


26 Pin Male connector  
PCB Pin Layout  
Scale 2:1



Screw L=5.0 For Panel Thickness Under 1.2mm

Screw L=6.0 For Panel Thickness Between 1.2~2.0mm



Recommended Panel Cut-Out

**Material:**

- Waterproof rate: IP67
- Connector: Black, Nylon+GF
- Pin: Copper alloy, Gold plated

Unit: mm



Scale	Free						Date	Name	Title <b>Waterproof DSub connector High Density, Straight 26 pin, Male</b>	
TOLERANCE						Drawn	30.11.11	Chappell		
X.X	$\pm 0.25$					Approved			ASSMANN WSW-No.	
X.XX	$\pm 0.10$								<b>A-HDS26PP-WP</b>	
X.XXX	$\pm 0.05$								Drawing-No.	
DIM	TOL								rev00	
X.°	$\pm 1^\circ$									
X.X°	$\pm X^\circ$									
Angle	TOL	Id.	Modification	Date	Name	Replace			Sheet 1/1	

