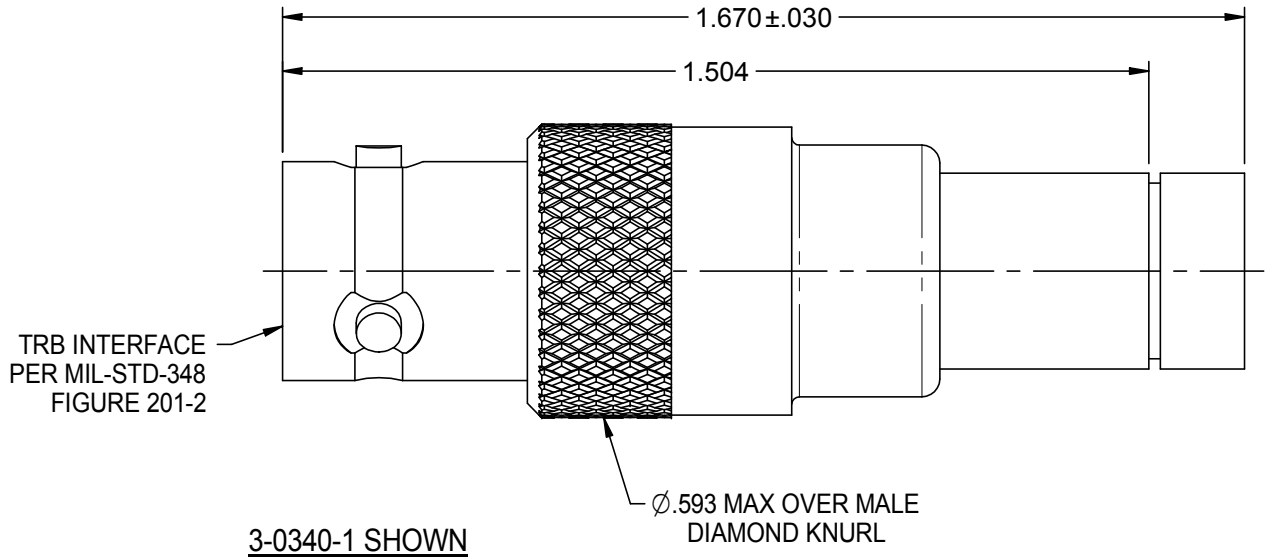
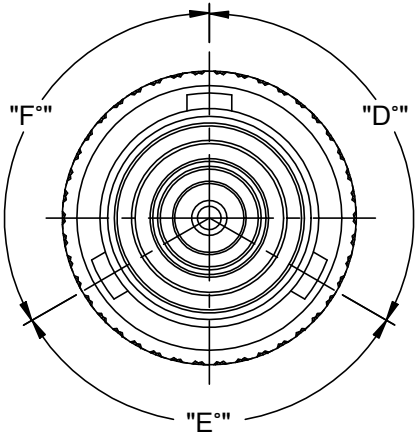
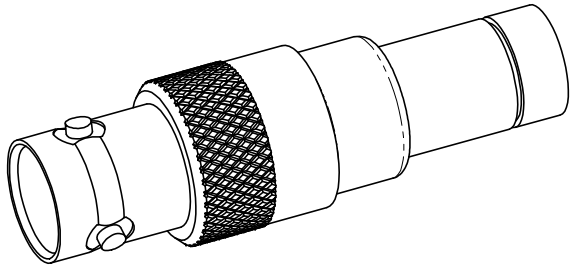


TABLE 1							ASSEMBLE PER
MILITARY PART NO.	MILITARY CABLE NO.	TROMPETER MODEL NO.	KEYING LETTER	"D"	"E"	"F"	
M49142/06-0016	M17/45-RG108	3-0340-1	NONE	120	120	120	TAI-206
M49142/06-0116	M17/45-RG108	3-0340-2	Y	114	140	110	
M49142/06-0216	M17/45-RG108	3-0340-3	S	135	135	90	
M49142/06-0017	M17/176-00002	3-0340-4	NONE	120	120	120	
M49142/06-0117	M17/176-00002	3-0340-5	Y	114	140	110	
M49142/06-0217	M17/176-00002	3-0340-6	S	135	135	90	

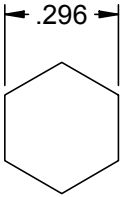
REV	ECO	DATE
B	55163	9/5/2014



NOTES: UNLESS OTHERWISE SPECIFIED.

1. MATERIAL & FINISH:
  - 1.1 BODY, CRIMP FERRULE, CRIMP SLEEVE & INSERT: SILVER PLATED BRASS
  - 1.2 INSULATOR: PTFE (TEFLON)
  - 1.3 INTERMEDIATE CONTACT: GOLD PLATED BRASS
  - 1.4 DIELECTRIC: PTFE (TEFLON)
  - 1.5 CENTER CONTACT: GOLD PLATED BERYLLIUM COPPER

2. ELECTRICAL:
  - 2.1 FREQUENCY (MAX): 500 MHz
  - 2.2 IMPEDANCE: NON-CONSISTENT



**RECOMMENDED  
HEX CRIMP**

<p><small>THE PROPRIETARY Document property of Cinch Connectivity Solutions. It is confidential in nature, non-transferable, and issued with the clear understanding that it is not traced or copied without permission and is returnable upon demand.</small></p> <p><small>INTERPRET DRAWING IN ACCORDANCE WITH ASME Y14.5-2009.</small></p>	Model No.	3-0340-X	<b>TROMPETER</b>	
	RoHS2	<input checked="" type="checkbox"/>	Cage Code	14949
	2011/65/EU		3RD ANGLE PROJECTION	
	UNLESS OTHERWISE SPECIFIED UNITS: INCH		Drawn by:	C. WALLACE
.XX ± .02 .XXX ± .005 ANGLES ± 2°		Date:	9/10/2014	M49142/06 TOOL CRIMP TRB JACK
Size			A	DO NOT SCALE DRAWING
Workmanship Std:			TFS-4	Sheet 1 of 1
Drawing No.			C_3-0340	Rev.
				B