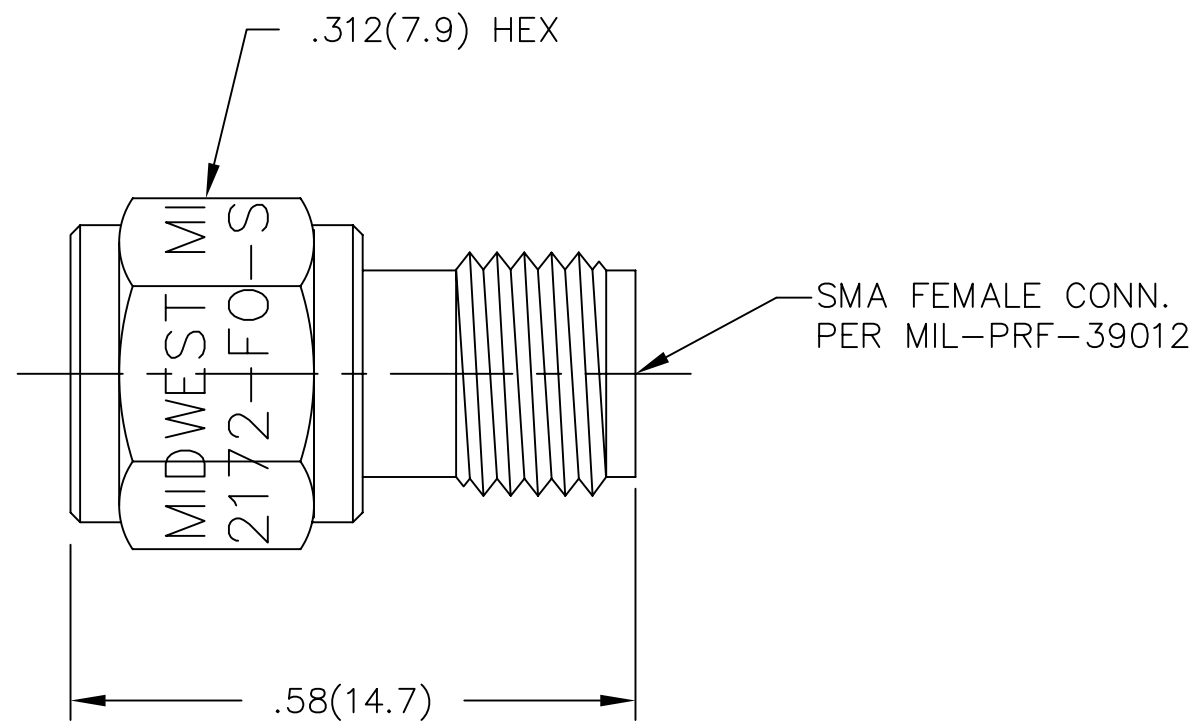


NOTES:

- 1.0 MATERIAL:
  - 1.1 HOUSING AND COUPLING NUT: STAINLESS STEEL PER QQ-S-764 AND ASTM-A-582, TYPE 303.
- 2.0 FINISH:
  - 2.1 HOUSING AND COUPLING NUT: PASSIVATED PER QQ-P-35 AND MIL-F-14072.
- 3.0 DIMENSIONS IN PARENTHESIS ARE MILLIMETERS.
- 4.0 MARK UNIT AS SHOWN.  
(REF: INK-09154-27-07)



REV.	DESCRIPTION	DATE
-	RELEASED	10/25/93
A	ECN 13122	11/19/93
A1	ADDED TITLEBLOCK	7/21/05

UNLESS OTHERWISE NOTED DIMENSIONS ARE IN INCHES AND TOLERANCES ARE:  3 PLACE DECIMALS ±.005 2 PLACE DECIMALS ±.02 FRACTIONS ±1/64 PARALLELITY: T.I.R. _____ FLATNESS: T.I.R. _____ CONCENTRICITY: T.I.R. _____ ANGLES AND PERPENDICULARITY: ±1°	FSCM NO. <b>34078</b>	<b>MIDWEST MICROWAVE</b>	
	NOTICE: The information contained in this drawing is proprietary and must not be used without the permission of Midwest Microwave		TITLE SMA JACK SHORT CIRCUIT
	DRAWN/DATE A.BEATTY 10/22/93	ENG./DATE G.KOZAK 10/25/93	DRAWING NUMBER SHT-2172-FO-SMA-02
	CHECKED/DATE M.HOLLMAN 10/25/93	APPROVED/DATE	SCALE: 5=1 SHEET 1 of 1