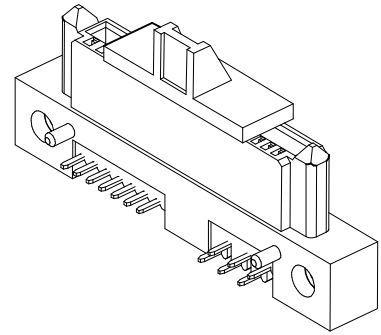
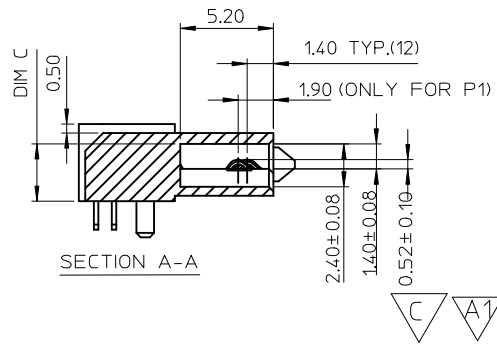
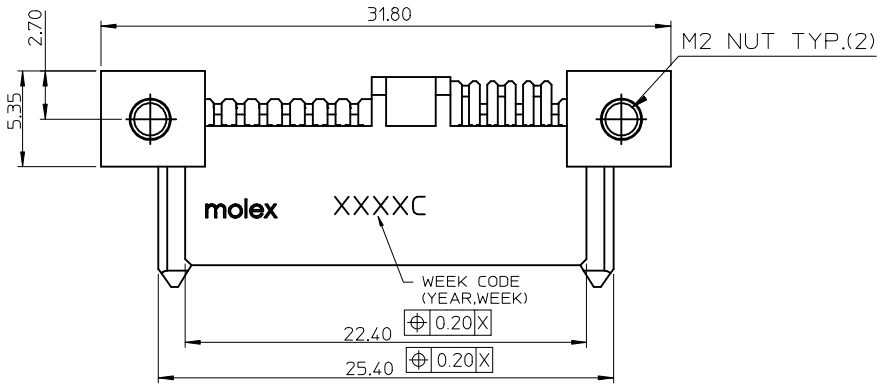


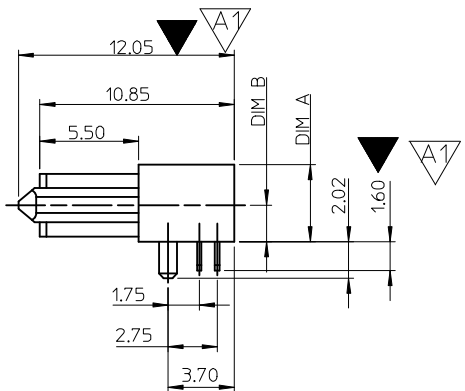
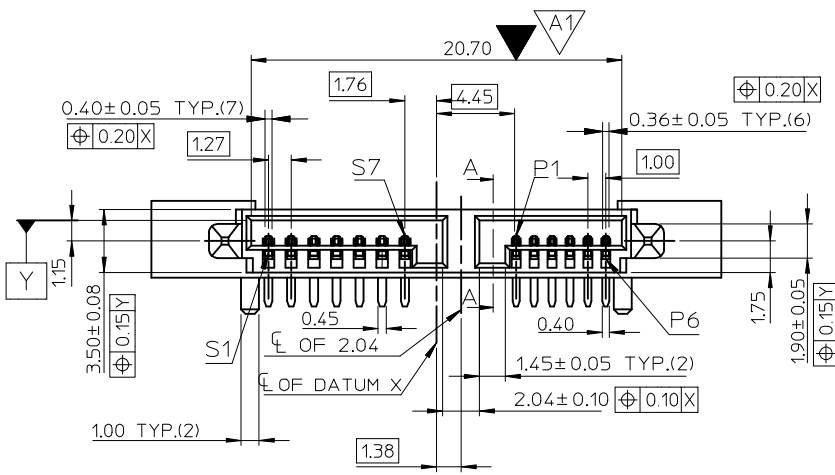
10 9 8 7 6 5 4 3 2 1

F

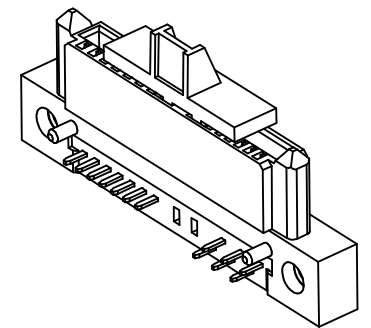


E

D

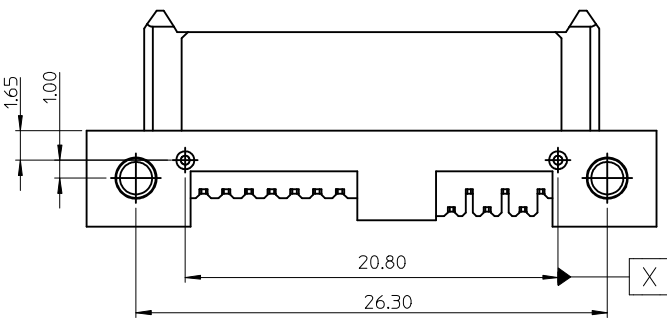


WITHOUT ALIGNMENT  
(48321-2XXX)



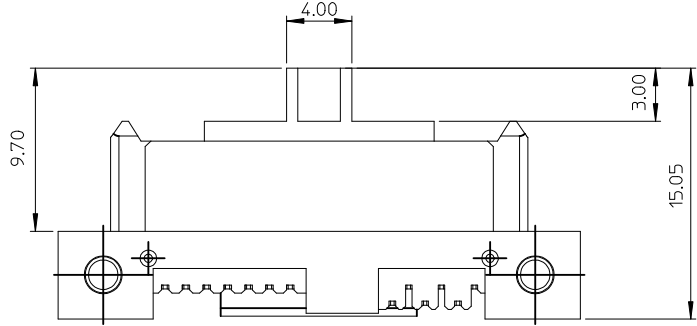
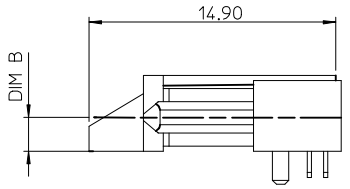
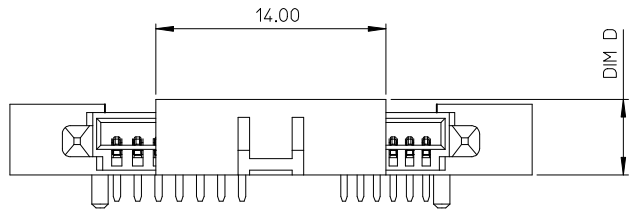
WITH ALIGNMENT  
(48321-1XXX)

B



SUPPLIER		ACRON		THIRD ANGLE PROJECTION	
REVISION		QUALITY SYMBOLS		DRAWN BY	
EC NO: SH2009-0089		▽=3		DATE	
DRWN:LLIU10		▽=1		LINDA 2007/12/13	
CHKD:YLZHU				CHECKED BY	
APPR:HWANG				DATE	
REV				ALLEN LIN 2007/12/17	
				APPROVED BY	
				DATE	
				EICK LAN 2007/12/17	
				MATERIAL NO.	
				SEE TABLE	
				DOCUMENT NO.	
				E-48321-001	
				SHEET NO.	
				1 OF 2	
				THIS DRAWING CONTAINS INFORMATION THAT IS PROPRIETARY TO MOLEX INCORPORATED AND SHOULD NOT BE USED WITHOUT WRITTEN PERMISSION	

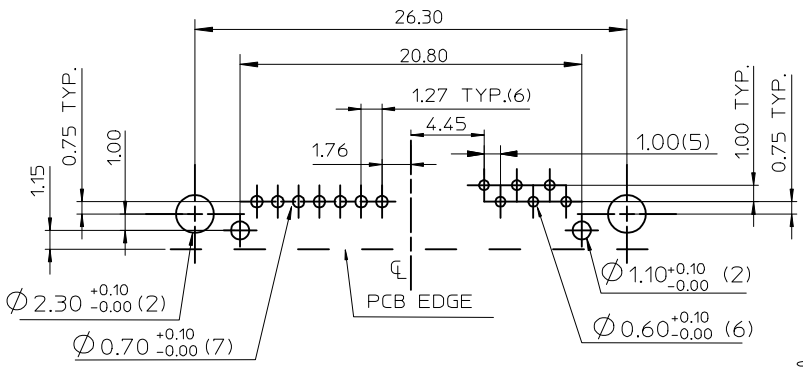
9 8 7 6 5 4 3 2 1



P/N	PLATING OPTIONS	DIM A	DIM B	DIM C	DIM D	DIM E	PIN ALIGNMENT	WITHSTANDING MFG TEST	ACRON P/N
48321-1000	GOLD FLASH	3.50	1.25	2.40	3.80	0.35	YES	NO	SAT01-A3-R0000
48321-1001	15 MICROINCH							NO	SAT01-A3-R0020
48321-1002	30 MICROINCH							YES	SAT01-A3-R0030
48321-2000	GOLD FLASH	4.25	2.00	3.15	4.55	0.40	NO	NO	SAT01-A3-R0101
48321-2001	15 MICROINCH							NO	SAT01-A3-R0121
48321-2002	30 MICROINCH							YES	SAT01-A3-R0131

NOTES:

- MATERIAL:
  - HOUSING & CAP: LIQUID CRYSTAL POLYMER, 6130(L), 30% GLASS FILLED, UL94V-0, COLOR: BLACK.
  - TERMINAL: 0.25mm THICKNESS, PHOSPHOR BRONZE C5210EH.
  - NUT: ZINC ALLOY.
  - ALIGNER: LIQUID CRYSTAL POLYMER, 6130(L), 30% GLASS FILLED, UL94V-0, COLOR: BLACK.
- PLATING:
  - TERMINAL:
    - CONTACT AREA: SEE TABLE.
    - SOLDER TAIL: MATTE TIN PLATED, THICKNESS=100 MICROINCH MIN/2.54 MICROMETER MIN.
    - UNDER PLATE: NICKEL(Ni) PLATED, THICKNESS=50 MICROINCH MIN/1.27 MICROMETER MIN.
    - NUT: NICKEL(Ni) PLATED, THICKNESS=50 MICROINCH MIN/1.27 MICROMETER MIN.
- SCREW MEETS TORQUE WITHSTANDED 2.5 kgf-cm MIN.
- RECOMMENDED PCB THICKNESS: 1.20±0.05mm.
- PRODUCT SPECIFICATION REFER TO PS-48321-001.
- TEST SUMMARY REFER TO TS-48321-001.
- PACKAGING SPECIFICATION REFER TO PK-48321-001.
- MATES WITH: SERIES 47300.
- LEAD FREE & RoHS COMPLIANT PRODUCT.



RECOMMENDED PC BOARD LAYOUT  
TOLERANCE: ±0.05mm(TOP VIEW)

SEE SHEET1	2008/08/20
EC NO: SH2009-0089	2008/08/09/02
DRW: LLIU10	
CHKD: YLZHU	
APPR: HWANG	2008/09/29
REV	DESCRIPTION

QUALITY SYMBOLS	▽=0
	∇=0
GENERAL TOLERANCES (UNLESS SPECIFIED)	mm
	INCH
	4 PLACES ± --- ± ---
	3 PLACES ± --- ± ---
	2 PLACES ± 0.15 ± ---
1 PLACE ± 0.15 ± ---	
ANGULAR ± 2 °	
DRAFT WHERE APPLICABLE MUST REMAIN WITHIN DIMENSIONS	

DIMENSION STYLE		SCALE	DESIGN UNITS	THIRD ANGLE PROJECTION
MM ONLY		1:1	METRIC	
DRAWN BY	DATE	TITLE		
LINDA	2007/12/13	SLIMLINE SATA RECEPTACLE STANDARD DIP WITH NUT		
CHECKED BY	DATE	MOLEX INCORPORATED		
ALLEN LIN	2007/12/17			
APPROVED BY	DATE			
EICK LAN	2007/12/17	DOCUMENT NO.	E-48321-001	
MATERIAL NO.		SHEET NO.		
SEE TABLE		2 OF 2		

DRAWN BY		DATE	TITLE	
LINDA		2007/12/13	SLIMLINE SATA RECEPTACLE STANDARD DIP WITH NUT	
CHECKED BY		DATE	MOLEX INCORPORATED	
ALLEN LIN		2007/12/17		
APPROVED BY		DATE		
EICK LAN		2007/12/17	DOCUMENT NO.	E-48321-001
MATERIAL NO.		SHEET NO.		
SEE TABLE		2 OF 2		

10 9 8 7 6 5 4 3 2 1

F

E

D

C

B

A

F

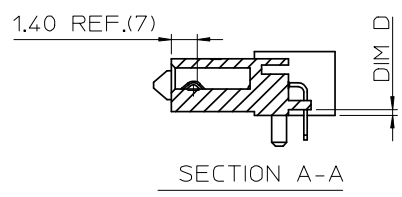
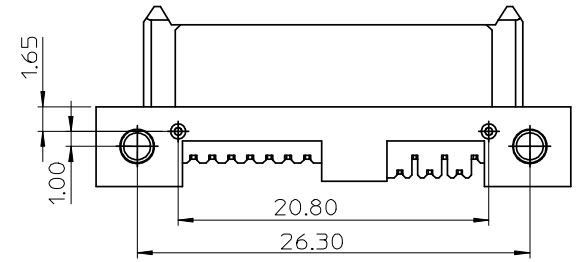
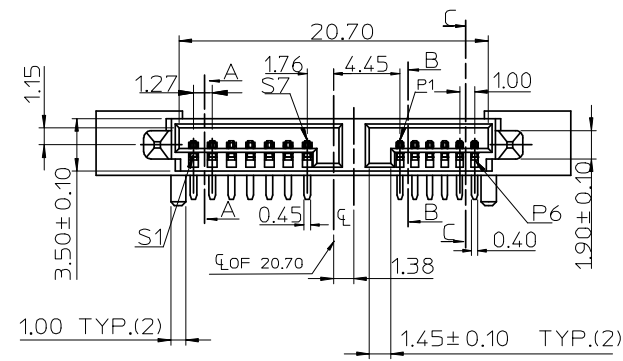
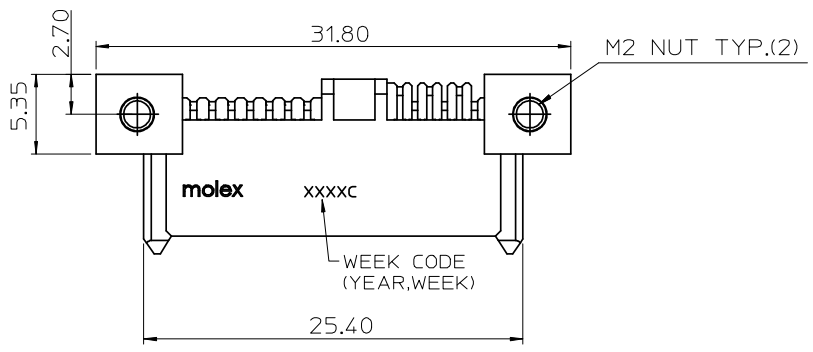
E

D

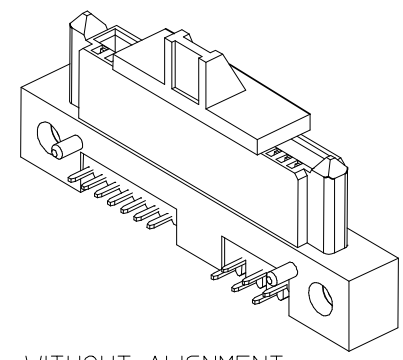
C

B

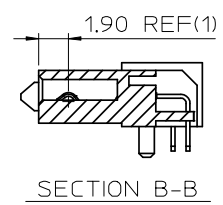
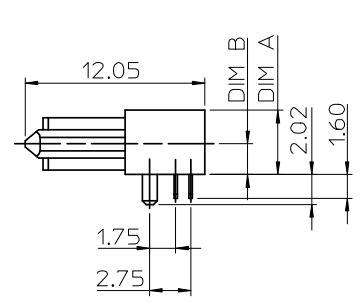
A



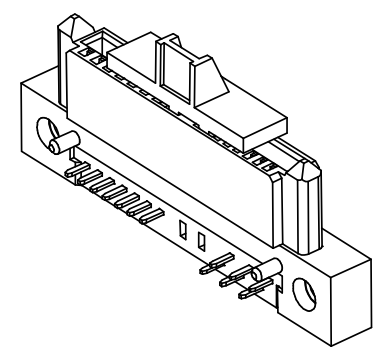
SECTION A-A



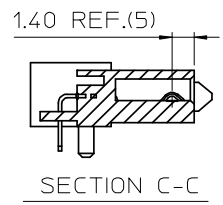
WITHOUT ALIGNMENT  
(48321-2XXX)



SECTION B-B



WITH ALIGNMENT  
(48321-1XXX)



SECTION C-C

CHANGE NUT'S MATERIAL	2008/07/29
EC NO: SH2008-0659	DESCRIPTION
DRW:LLU10	
CHKD:YLZHU	
APPR:HWANG	
A1	REV

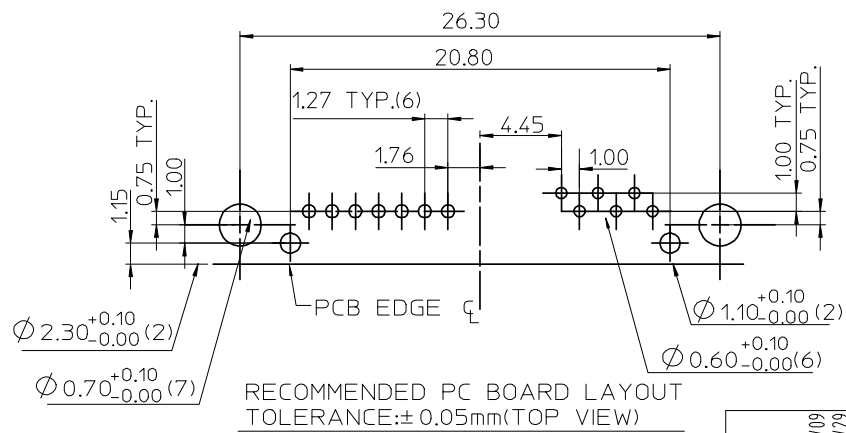
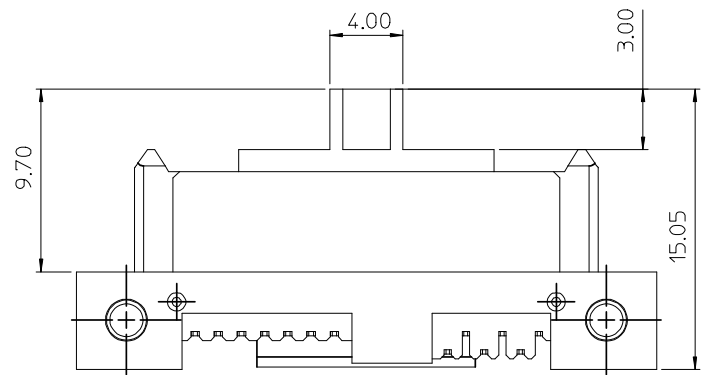
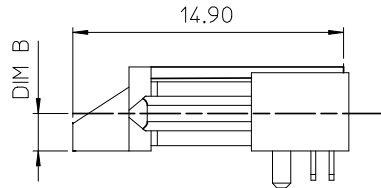
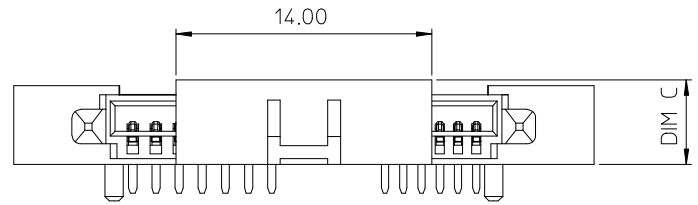
QUALITY SYMBOLS
▽=0
∇=0

GENERAL TOLERANCES (UNLESS SPECIFIED)	mm	INCH
4 PLACES	± ---	± ---
3 PLACES	± ---	± ---
2 PLACES	± 0.25	± ---
1 PLACE	± 0.25	± ---
ANGULAR ± 3 °		
DRAFT WHERE APPLICABLE MUST REMAIN WITHIN DIMENSIONS		

DIMENSION STYLE	
MM ONLY	
DRAWN BY	DATE
LINDA	2007/12/13
CHECKED BY	DATE
ALLEN LIN	2007/12/17
APPROVED BY	DATE
EICK LAN	2007/12/17
MATERIAL NO.	
SEE TABLE	
SIZE	
A3	

SCALE	DESIGN UNITS	THIRD ANGLE PROJECTION
1:1	METRIC	
TITLE		
SLIMLINE SATA RECEPTACLE STANDARD DIP WITH NUT		
MOLEX INCORPORATED		SHEET NO.
DOCUMENT NO.		1 OF 2
SD-48321-001		
THIS DRAWING CONTAINS INFORMATION THAT IS PROPRIETARY TO MOLEX INCORPORATED AND SHOULD NOT BE USED WITHOUT WRITTEN PERMISSION		

9 8 7 6 5 4 3 2 1



P/N	PLATING OPTIONS	DIM A	DIM B	DIM C	DIM D	PIN ALIGNMENT	WITHSTANDING MFG TEST
48321-1000	GOLD FLASH	3.50	1.25	3.80	0.35	YES	NO
48321-1001	15 MICROINCH						NO
48321-1002	30 MICROINCH						YES
48321-2000	GOLD FLASH	4.25	2.00	4.55	0.40	NO	NO
48321-2001	15 MICROINCH						NO
48321-2002	30 MICROINCH						YES

- NOTES:**
- MATERIAL:**  
HOUSING & CAP: LIQUID CRYSTAL POLYMER, GLASS FIBER FILLED, UL94V-0, COLOR: BLACK.  
TERMINAL: COPPER ALLOY.  
NUT: ZINC ALLOY.  
ALIGNER: LIQUID CRYSTAL POLYMER, GLASS FIBER FILLED, UL94V-0, COLOR: BLACK.
  - PLATING:**  
TERMINAL:  
CONTACT AREA: SEE TABLE.  
SOLDER TAIL: MATTE TIN PLATED, THICKNESS=100 MICROINCH MIN/2.54 MICROMETER MIN.  
UNDER PLATE: NICKEL(Ni) PLATED OVERALL.  
NUT: NICKEL(Ni) PLATED, THICKNESS=50 MICROINCH MIN/1.27 MICROMETER MIN.
  - RECOMMENDED PCB THICKNESS: 1.20 ± 0.05mm.
  - PRODUCT SPECIFICATION REFER TO PS-48321-001.
  - TEST SUMMARY REFER TO TS-48321-001.
  - PACKAGING SPECIFICATION REFER TO PK-48321-001.
  - MATES WITH: SERIES 47300.
  - LEAD FREE & RoHS COMPLIANT PRODUCT.

SEE SHEET 1 EC NO: SH2008-0659 DRWN: LILIU10 CHKD: YLZHU APPR: HWANG 2008/07/09 2008/07/29	QUALITY SYMBOLS ▽=0 ◻=0	GENERAL TOLERANCES (UNLESS SPECIFIED)		DIMENSION STYLE MM ONLY		SCALE 1:1	DESIGN UNITS METRIC	THIRD ANGLE PROJECTION		
			mm	INCH	DRAWN BY LINDA	DATE 2007/12/13	TITLE SLIMLINE SATA RECEPTACLE STANDARD DIP WITH NUT			
					CHECKED BY ALLEN LIN	DATE 2007/12/17				
					APPROVED BY EICK LAN	DATE 2007/12/17	MOLEX INCORPORATED DOCUMENT NO. SD-48321-001 SHEET NO. 2 OF 2			
			DRAFT WHERE APPLICABLE MUST REMAIN WITHIN DIMENSIONS		SEE TABLE					
					THIS DRAWING CONTAINS INFORMATION THAT IS PROPRIETARY TO MOLEX INCORPORATED AND SHOULD NOT BE USED WITHOUT WRITTEN PERMISSION					