

MATERIAL NUMBER	# OF COLUMNS	# OF DIFF PAIR	DIM "A" MAX	DIM "B"	PTH#
76410-8**	8	24	22,80	13,30	0,46+0,05
76410-1**	10	30	26,60	17,10	0,46+0,05
76410-4**	14	42	34,20	24,70	0,46+0,05
76410-6**	16	48	38,00	28,50	0,46+0,05
76410-8**	8	24	22,80	13,30	0,39+0,05
76410-1**	10	30	26,60	17,10	0,39+0,05
76410-4**	14	42	34,20	24,70	0,39+0,05
76410-6**	16	48	38,00	28,50	0,39+0,05

76410-****

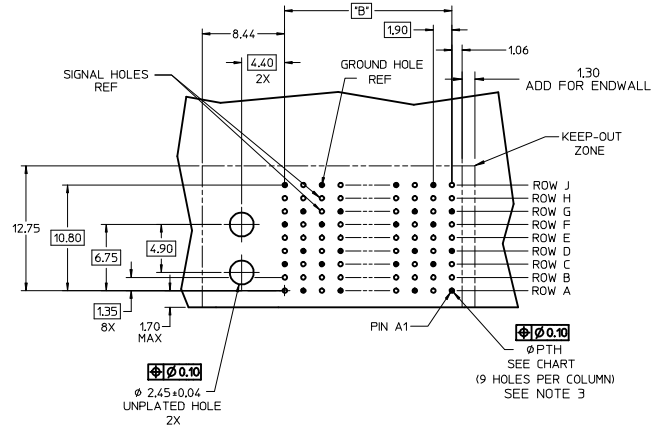
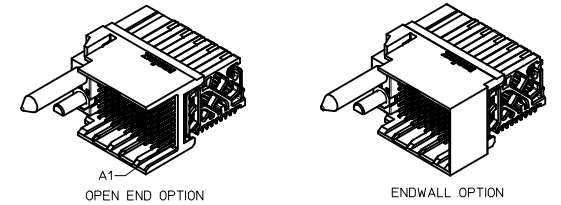
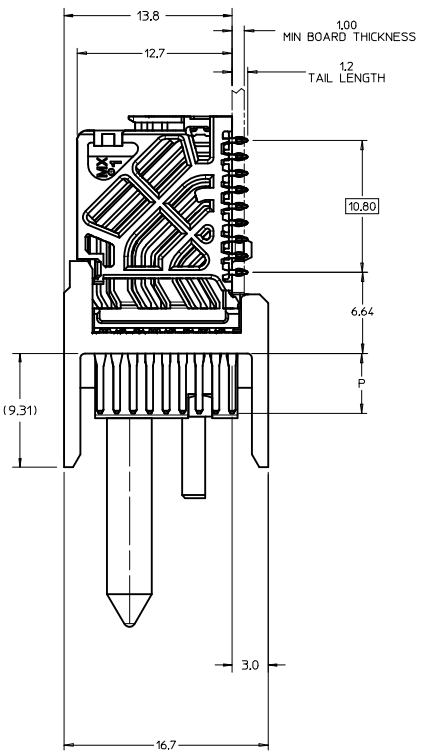
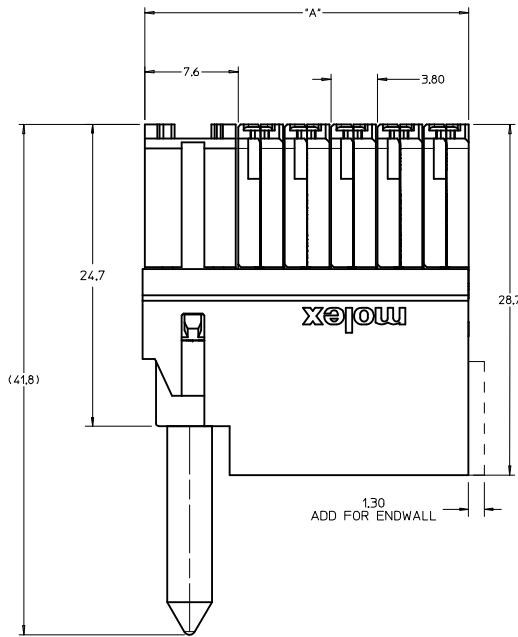
MODULE TYPE
 3 - LEFT GUIDED LEAD-FREE
 7 - LEFT GUIDED LEAD-FREE W/ ENDWALL

PIN LENGTH (P)
 4 = 4,90 (0,46 PTH)
 5 = 5,50 (0,46 PTH)
 7 = 4,90 (0,39 PTH)
 8 = 5,50 (0,39 PTH)

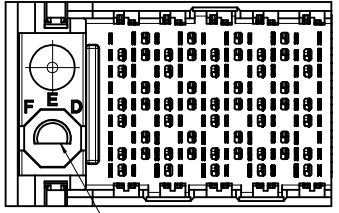
OF COLUMNS
 1 = 10 COL
 4 = 14 COL
 6 = 16 COL
 8 = 8 COL

KEY ORIENTATION
 0 = NO KEY
 1 = A 5 = E
 2 = B 6 = F
 3 = C 7 = G
 4 = D 8 = H

- NOTES:
- MATERIALS: HOUSING - LIQUID CRYSTAL POLYMER (LCP), GLASS-FILLED, UL94V-0
TERMINALS - HIGH PERFORMANCE COPPER ALLOY
ON PCB TAILS, NICKEL OVERLAY
 - FINISH: 30UM SELECTIVE GOLD IN CONTACT AREA, SELECTIVE TIN
 - REFER TO MOLEX PRODUCT SPECIFICATION PS-76060-999 FOR PERFORMANCE SPECIFICATIONS AND ADDITIONAL PCB INFORMATION.
 - EACH SIGNAL WAFER CONTAINS 2 COLUMNS OF TERMINALS.
 - PRODUCT IS PACKAGED PER PK-70873-762.
 - THIS PART CONFORMS TO CLASS B REQUIREMENTS OF COSMETIC SPEC PS-45499-002.
 - REFER TO MOLEX SALES DRAWING SD-76170-004 FOR THE MATING RECEPTACLES.
 - REFER TO MOLEX PCB ROUTING GUIDE AS-76060-990 FOR ANTIPAD AND ROUTING RECOMMENDATIONS.
 - WHEN USING MOLEX SUPPLIED #2-32 SCREW 73736-0005 (2.0 - 0.381-0.76 mm THREADABLE SCREW LENGTH, THE BOARD THICKNESS RANGE IS 100 TO 180 mm.
 - GUIDE LEFT RAM MATES WITH A GUIDE RIGHT DAUGHTERCARD.
 - OPEN END OPTION SHOWN FOR CLARITY.



RAM HOLE PATTERN
(CONNECTOR SIDE)



KEY SHOWN
IN POSITION A

ADD 14 COL OPTION EC NO: UCP2016-0079 DRAWN BY MILLER CHKD: APPR: TELLO	2015/07/07	DESCRIPTION	QUALITY SYMBOLS	GENERAL TOLERANCES (UNLESS SPECIFIED)	DIMENSION STYLE	SCALE	DESIGN UNITS	THIRD ANGLE PROJECTION	
			▽=0	mm INCH	MM ONLY	5:1	METRIC	☉	
			▽=0	4 PLACES ± ---	DRAWN BY DATE				
			▽=0	3 PLACES ± ---	JLAURX 2008/10/21				
				2 PLACES ± 0.13	CHECKED BY DATE				
				1 PLACE ± 0.25	JJONI AK 2008/10/21				
				0 PLACE ±	APPROVED BY DATE				
				ANGULAR ± 1/2°	JLAURX 2008/10/21				
				DRAFT WHERE APPLICABLE MUST REMAIN WITHIN DIMENSIONS	MATERIAL NO.				
					SEE TABLE				
					SIZE D				

IMPACT 3 PAIR RAM
GUIDE LEFT SIGNAL MODULE
SALES DRAWING

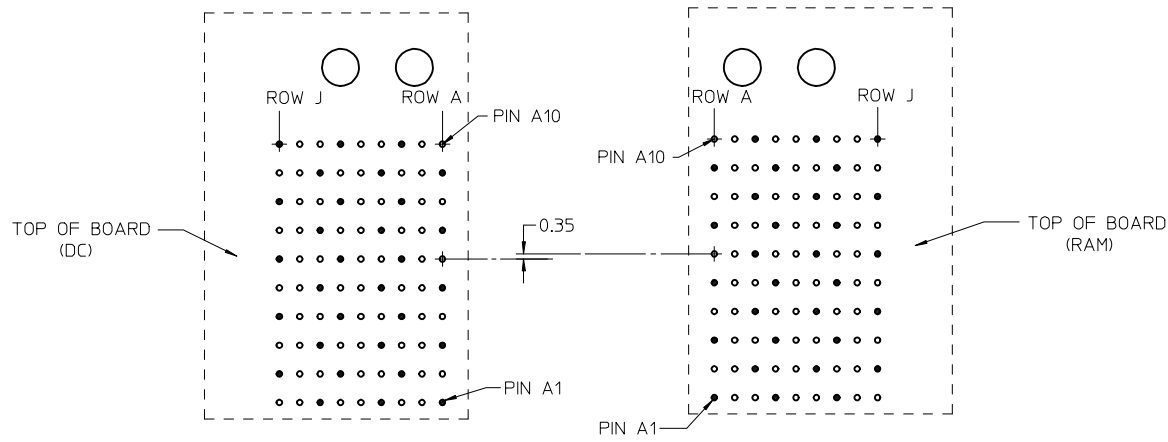
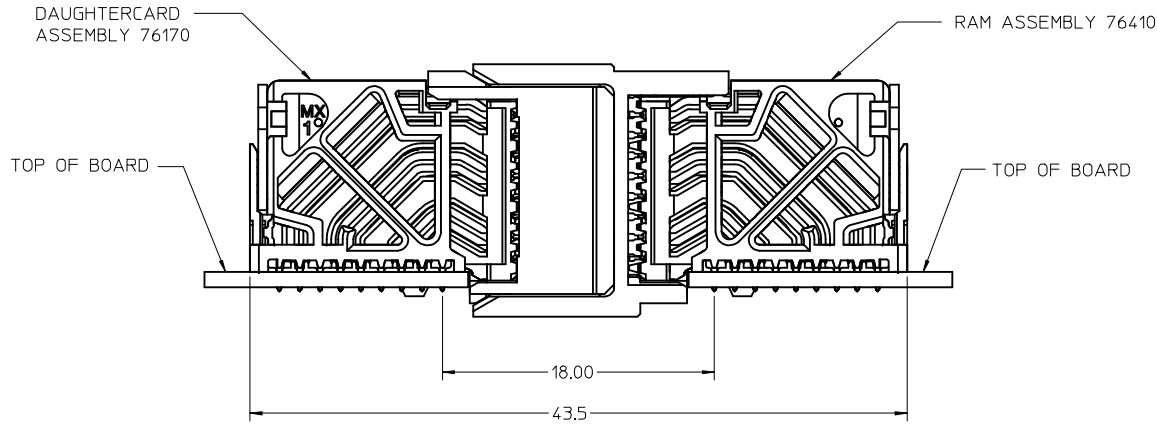
molex

DOCUMENT NO. SD-76410-002

SHEET NO. 1 OF 2

THIS DRAWING CONTAINS INFORMATION THAT IS PROPRIETARY TO MOLEX INCORPORATED AND SHOULD NOT BE USED WITHOUT WRITTEN PERMISSION

COPLANAR APPLICATION



COPLANAR MATED SIGNAL PATHS



SEE SHEET 1 EC NO: UCP2016-0079 DRW: JIMILLER 2015/07/07 CHKD: APPR: TELO 2015/07/07	QUALITY SYMBOLS	GENERAL TOLERANCES (UNLESS SPECIFIED)	DIMENSION STYLE	SCALE	DESIGN UNITS	THIRD ANGLE PROJECTION
	▽=0	mm INCH	MM ONLY	4:1	METRIC	
	▽=0	4 PLACES ± --- ± ---	DRAWN BY DATE			TITLE
	▽=0	3 PLACES ± --- ± ---	JLAURX 2008/10/21			IMPACT 3 PAIR RAM GUIDE LEFT SIGNAL MODULE SALES DRAWING
	2 PLACES ± 0.13 ± ---	CHECKED BY DATE				molex
	1 PLACE ± 0.25 ± ---	JJONIAK 2008/10/21				
	0 PLACE ± ±	APPROVED BY DATE				
		JLAURX 2008/10/21				
		ANGULAR ±1/2°	MATERIAL NO.		DOCUMENT NO.	SHEET NO.
		DRAFT WHERE APPLICABLE MUST REMAIN WITHIN DIMENSIONS	SEE TABLE		SD-76410-002	2 OF 2
			SIZE C	THIS DRAWING CONTAINS INFORMATION THAT IS PROPRIETARY TO MOLEX INCORPORATED AND SHOULD NOT BE USED WITHOUT WRITTEN PERMISSION		