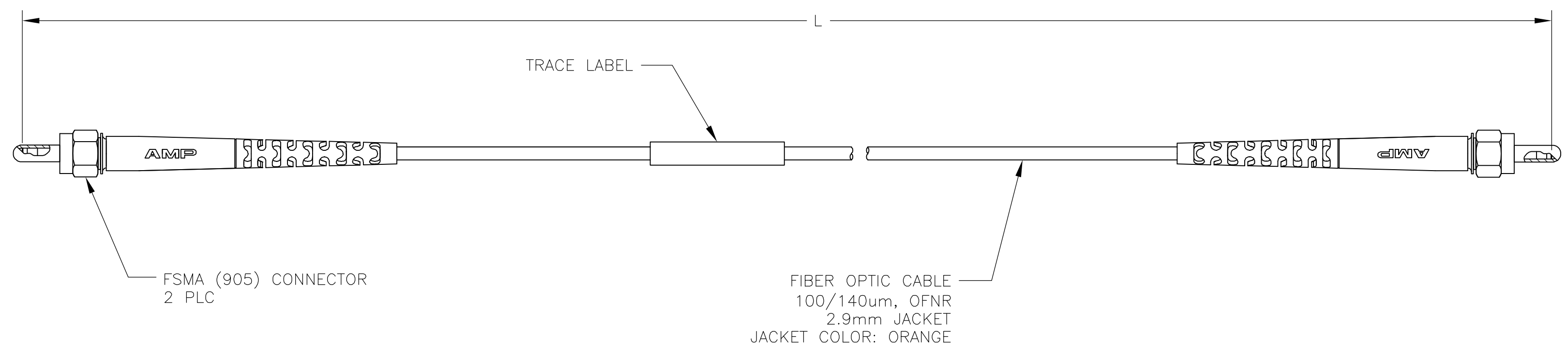


THIS DRAWING IS UNPUBLISHED. RELEASED FOR PUBLICATION  
 © COPYRIGHT BY TYCO ELECTRONICS CORPORATION. ALL RIGHTS RESERVED.

LOC	DIST	REVISIONS			
P	LTR	DESCRIPTION	DATE	DWN	APVD
CE	16	A	RELEASED PER NPR	18 JAN 06	CSV JD

- 1. MAXIMUM CONNECTOR INSERTION LOSS IS 2.0dB PLUS CABLE ATTENUATION OF 3.0dB/km AT 1300nm (SEE TABLE)
- 2. PRODUCT AND PROCESSING MUST MEET REQUIREMENTS OF THE TYCO ELECTRONICS STANDARD 230-702



2.04	15.24±0.30	[600.0±11.8]	5502150-8
2.02	6.10±0.08	[240.2±3.2]	5502150-7
2.14	45.72±0.46	[1800.0±18.0]	5502150-6
2.03	10.00±0.15	[393.7±5.9]	5502150-5
2.02	6.00±0.08	[236.2±3.2]	5502150-4
2.02	5.00±0.08	[196.9±3.2]	5502150-3
2.01	3.00±0.05	[118.1±2.0]	5502150-2
2.00	1.00±0.05	[39.4±2.0]	5502150-1
MAX IL (dB)	L METERS [INCHES]		PART NUMBER

THIS DRAWING IS A CONTROLLED DOCUMENT.		DWN C.S.VASU 18 JAN 06	Tyco Electronics Corporation Harrisburg, PA 17105-3608																					
DIMENSIONS: METERS [INCHES]		CHK J.DUNCAN 18 JAN 06	NAME CABLE ASSEMBLY, FIBER OPTIC, 100/140 FSMA (905) TO FSMA (905)																					
TOLERANCES UNLESS OTHERWISE SPECIFIED:		APVD J.DUNCAN 18 JAN 06	PRODUCT SPEC																					
<table border="1"> <tr><td>0 PLC</td><td>±</td><td>-</td></tr> <tr><td>1 PLC</td><td>±</td><td>-</td></tr> <tr><td>2 PLC</td><td>±</td><td>-</td></tr> <tr><td>3 PLC</td><td>±</td><td>-</td></tr> <tr><td>4 PLC</td><td>±</td><td>-</td></tr> <tr><td>ANGLES</td><td>±</td><td>-</td></tr> <tr><td>FINISH</td><td>±</td><td>-</td></tr> </table>		0 PLC	±	-	1 PLC	±	-	2 PLC	±	-	3 PLC	±	-	4 PLC	±	-	ANGLES	±	-	FINISH	±	-	APPLICATION SPEC	
0 PLC	±	-																						
1 PLC	±	-																						
2 PLC	±	-																						
3 PLC	±	-																						
4 PLC	±	-																						
ANGLES	±	-																						
FINISH	±	-																						
MATERIAL		WEIGHT	SIZE A2	CAGE CODE 00779																				
		DRAWING NO 5502150		RESTRICTED TO																				
		CUSTOMER DRAWING		SCALE NTS																				
		SHEET 1 of 1		REV A																				

5502150