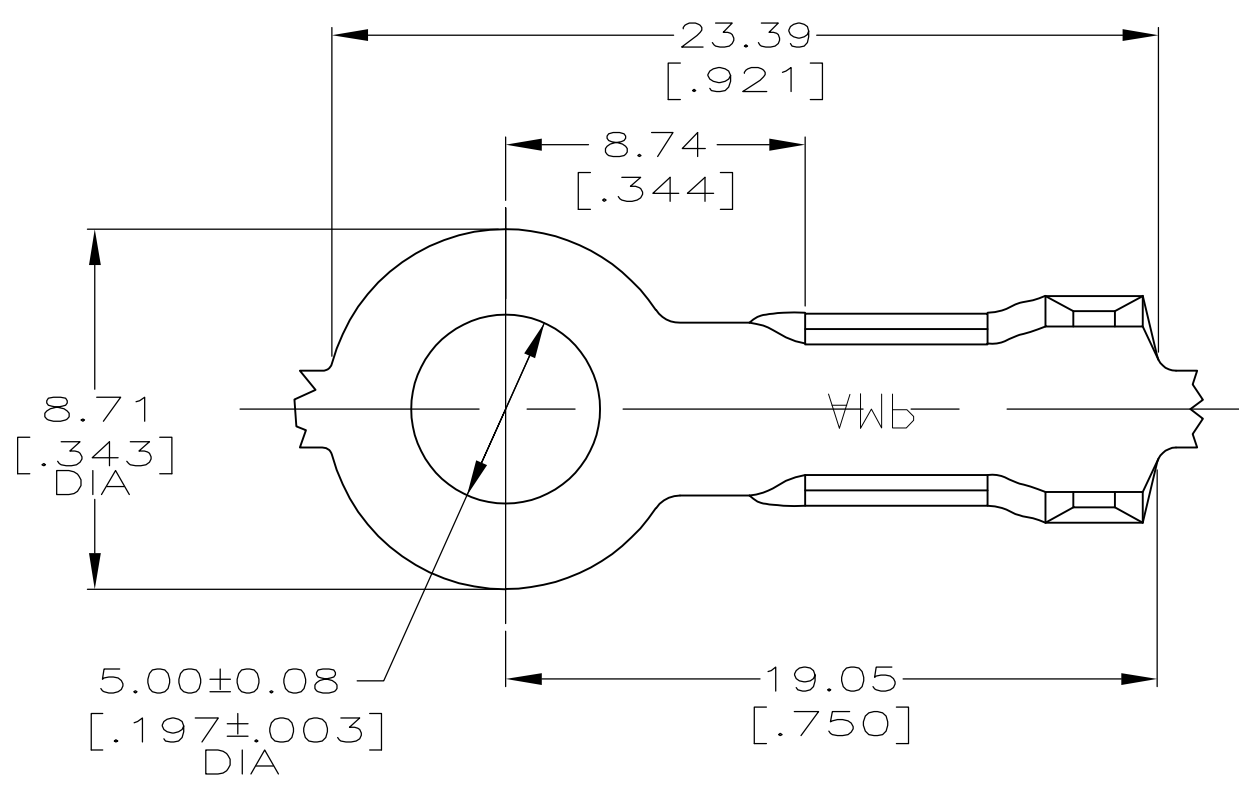
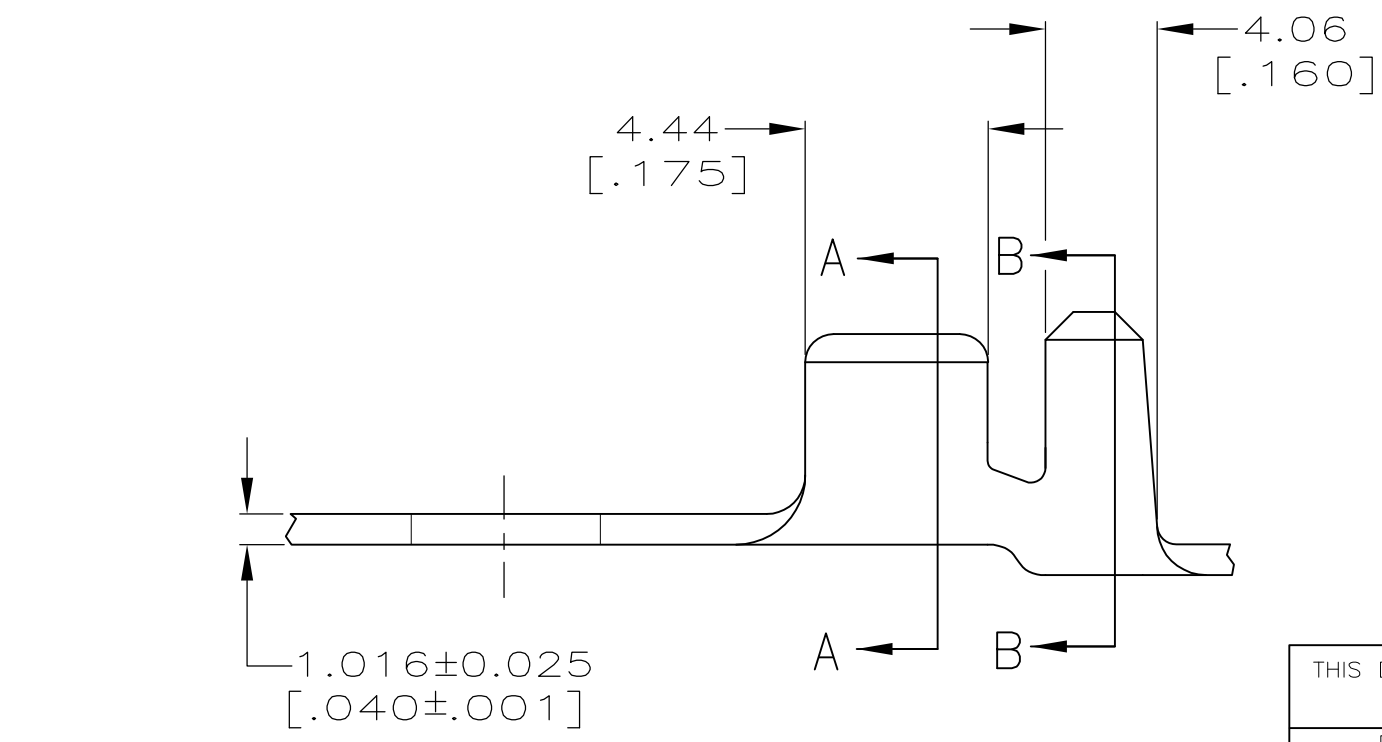
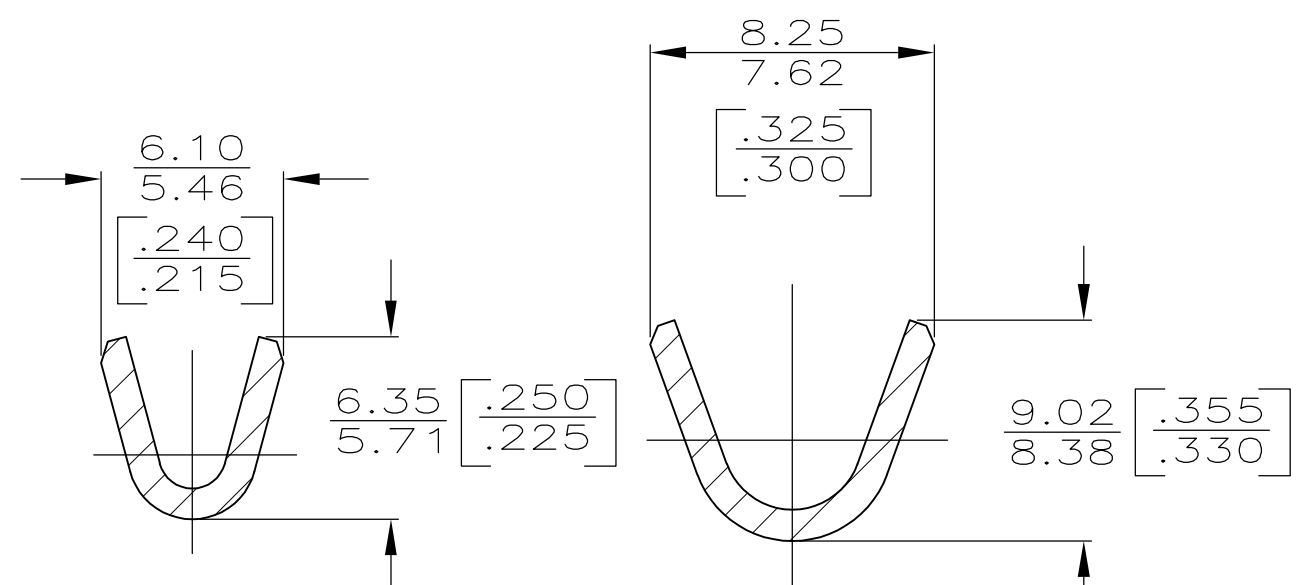


THIS DRAWING IS UNPUBLISHED. RELEASED FOR PUBLICATION
 © COPYRIGHT BY TYCO ELECTRONICS CORPORATION. ALL INTERNATIONAL RIGHTS RESERVED.

LOC	DIST	REVISIONS			
P	LTR	DESCRIPTION	DATE	DWN	APVD
AF	50	J	REVISED PER ECR-10-006099	07JUL10	HMR PD



1. CONTINUOUS STRIP ON REEL.



TIN	4.32-5.33 DIA	[12-10] AWG	42864-2
-	[.170-.210]		42864-1
FINISH	INSULATION RANGE	WIRE RANGE	PART NO

THIS DRAWING IS A CONTROLLED DOCUMENT.		DWN PHILLIP M FORTNEY 27/JUN/95	Tyco Electronics Tyco Electronics Corporation Harrisburg, PA 17105-3608	
DIMENSIONS: mm [INCHES]		CHK JEFF R RUTH 27/JUN/95	NAME RING	
TOLERANCES UNLESS OTHERWISE SPECIFIED:		APVD GARY YETTER 27/JUN/95	SIZE A3	
0 PLC ± -		PRODUCT SPEC	CAGE CODE 00779	DRAWING NO C-42864
1 PLC ± -		APPLICATION SPEC	RESTRICTED TO	
2 PLC ± 0.38 [.015]		WEIGHT	-	
3 PLC ± -		CUSTOMER DRAWING	SCALE 5:1	SHEET 1 OF 1
4 PLC ± -		FINISH	REV J	
ANGLES ± -		MATERIAL 082 BRASS		
SEE TABLE				