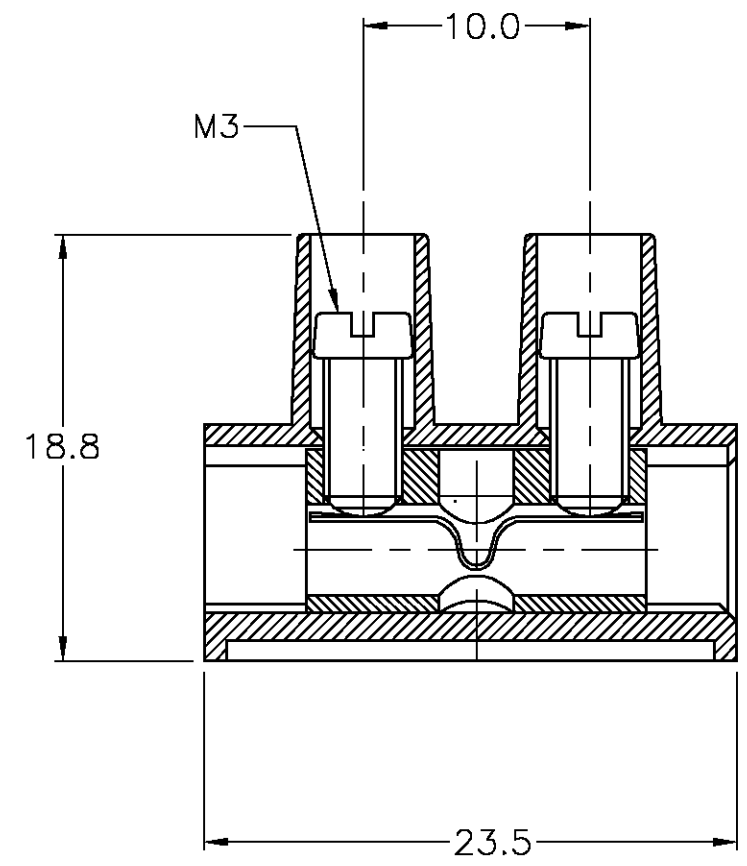
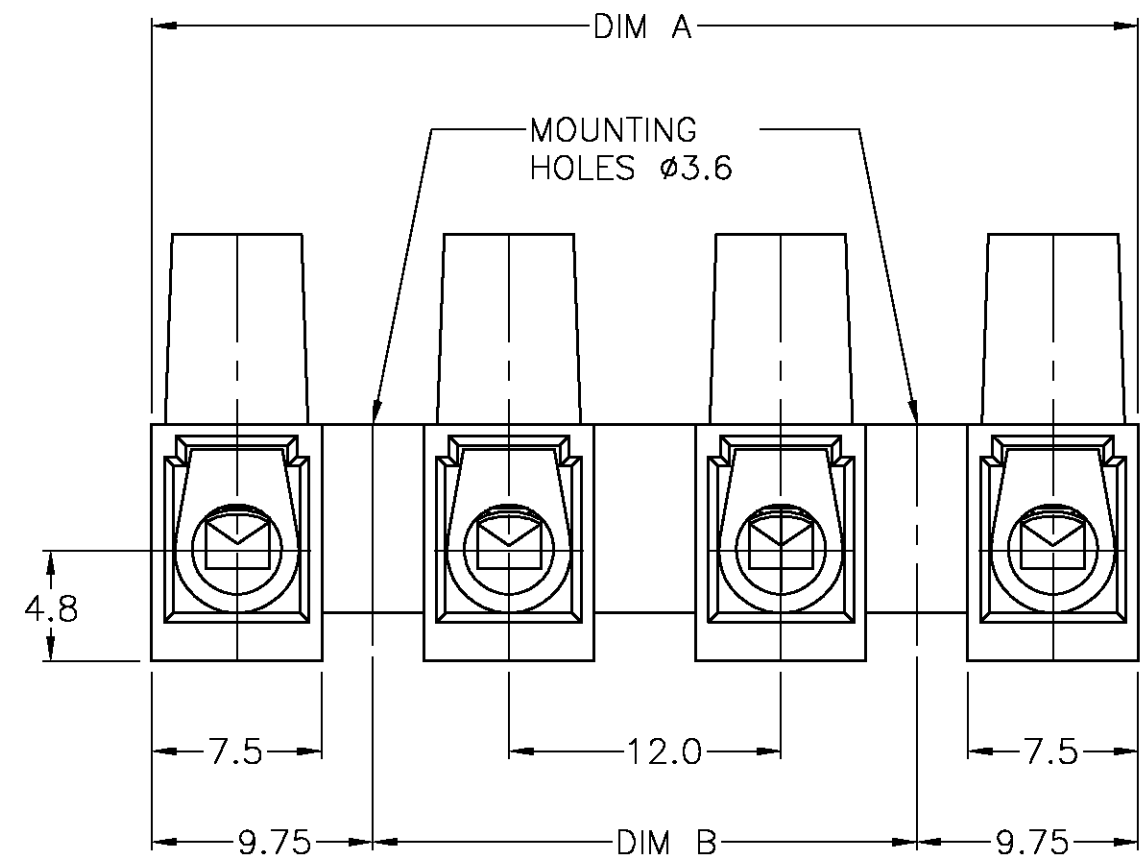


THIS DRAWING IS UNPUBLISHED. RELEASED FOR PUBLICATION  
 © COPYRIGHT BY TYCO ELECTRONICS CORPORATION. ALL RIGHTS RESERVED.

LOC	DIST	REVISIONS					
FT	0	P	LTR	DESCRIPTION	DATE	DWN	APVD
		0		REVISED PER 0G3B-1020-04	3/21/05	SS	CR

**MATERIALS:**  
 HOUSING: POLYAMIDE 6 UL94V-2  
 COLOR: NATURAL (OFF WHITE).  
 TUBULAR CONTACT: BRASS, TIN PLATED.  
 SCREW: M3, STEEL, ZINC PLATED W/ NON-HEXAVALENT CHROMATE (CHROME III).  
 WIRE PROTECTOR: STAINLESS STEEL.

**ELECTRICAL:**  
 CURRENT RATING: 40A, 250V.  
 WIRE RANGE: 10-22 AWG.



120	139.5	TSB1000 12MDS	1-1776319-2
108	127.5	TSB1000 11MDS	1-1776319-1
96	115.5	TSB1000 10MDS	1-1776319-0
84	103.5	TSB1000 09MDS	1776319-9
72	91.5	TSB1000 08MDS	1776319-8
60	79.5	TSB1000 07MDS	1776319-7
48	67.5	TSB1000 06MDS	1776319-6
36	55.5	TSB1000 05MDS	1776319-5
24	43.5	TSB1000 04MDS	1776319-4
12	31.5	TSB1000 03MDS	1776319-3
-	19.5	TSB1000 02MDS	1776319-2
-	7.5	TSB1000 01MDS	1776319-1
DIM B	DIM A	T & B PART NUMBER	TYCO PART NUMBER

THIS DRAWING IS A CONTROLLED DOCUMENT.		DWN S SCHLEGEL 3/21/05	Tyco Electronics Corporation Harrisburg, Pa 17105-3608	
DIMENSIONS: mm		CHK C RICHARD 3/21/05		
TOLERANCES UNLESS OTHERWISE SPECIFIED:		APVD C RICHARD 3/21/05	NAME EUROPA TERMINAL BLOCK W/WIRE STOP MOUNTING HOLES Ø 3.6, 12mm PITCH	
0 PLC ± - 1 PLC ± .3 2 PLC ± .25 3 PLC ± - 4 PLC ± - ANGLES ± 2		PRODUCT SPEC -	SIZE A3	
MATERIAL -		FINISH -	CAGE CODE 00779	DRAWING NO C-1776319
		WEIGHT -	RESTRICTED TO -	
CUSTOMER DRAWING			SCALE NTS	SHEET 1 OF 1
			REV 0	