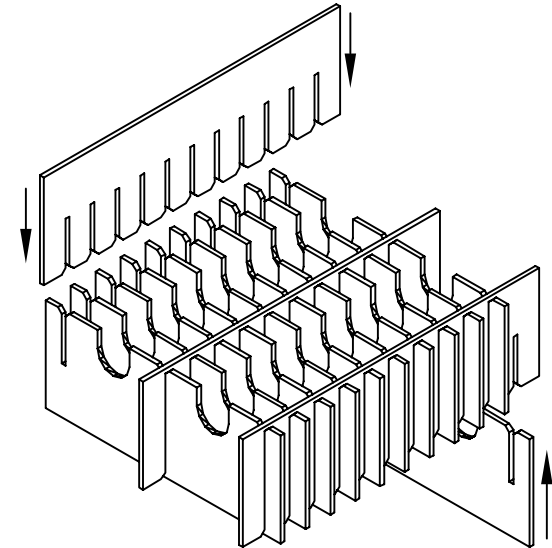
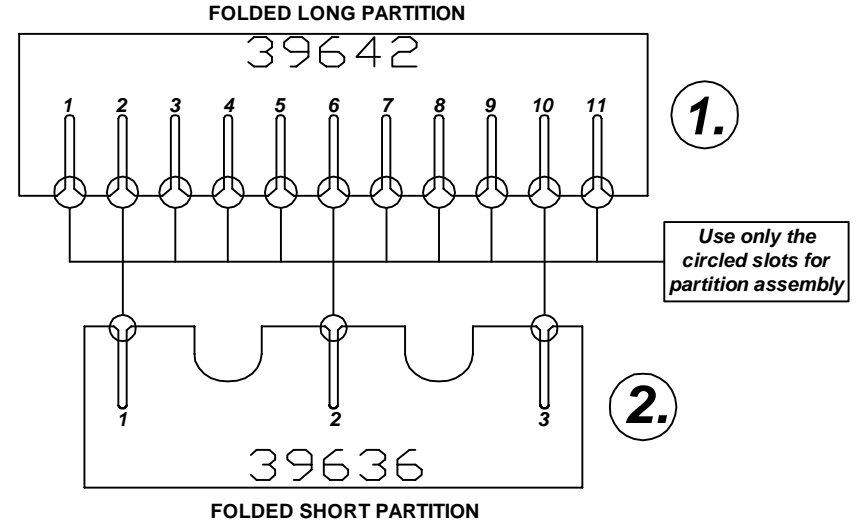
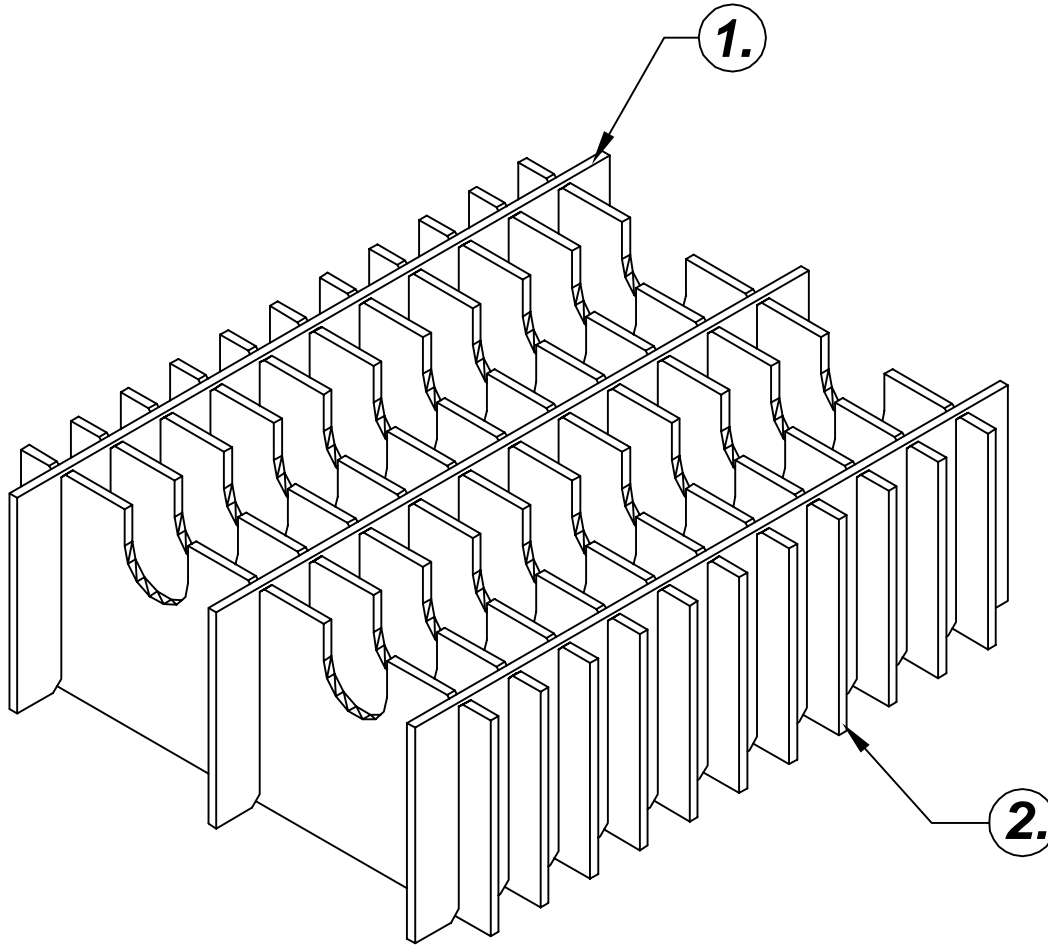


Assembly Instructions for - 37203



Made in America

F/N ①	Part#: 39642	Dimensions: 12" x 18-5/8"	Description: 406-HLP Long Partition	Qty: 3
F/N ②	Part#: 39636	Dimensions: 12" x 14-3/4"	Description: 406/468-HSP Short Partition	Qty: 11

37203 - 24 Cell Inplant Handler
Cell Size - 5-7/8" x 6-1/4" x 1-1/4"

Notes:
 For use with the following storage container & Lid
 37506 - Storage Container
 37554 - Lid

PROTEKTIVE PAK
 13520 MONTE VISTA AVENUE, CHINO, CA 91710
 PHONE (909) 627-2578, FAX (909) 363-7331
 ProtektivePak.com

PROTEKTIVE PAK
 BURIED CONDUCTIVE LAYER

DRAWING NUMBER
IPH-37203

DATE
Nov. 2007