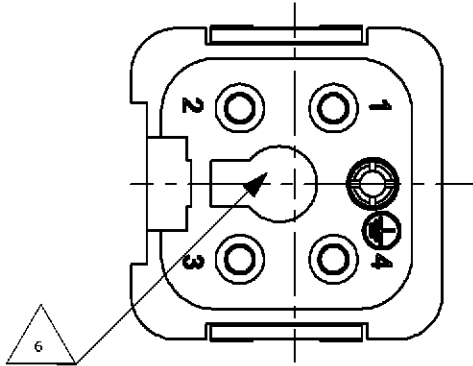


LOC	DIST	REVISIONS ÄNDERUNGEN					
AI	-	P	LTR	DESCRIPTION BESCHREIBUNG	DATE	DWN	APVD
PROJECT NR.	-	C1		PRINTING CORRECTED ECR-06-021058	01.09.2006	SR	SM
		C2		ECR-10-000005	09FEB10	RK	SRE

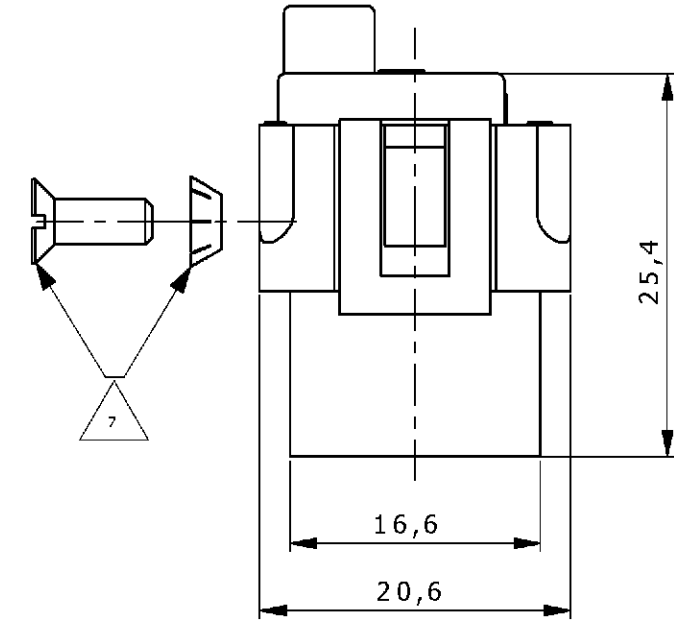
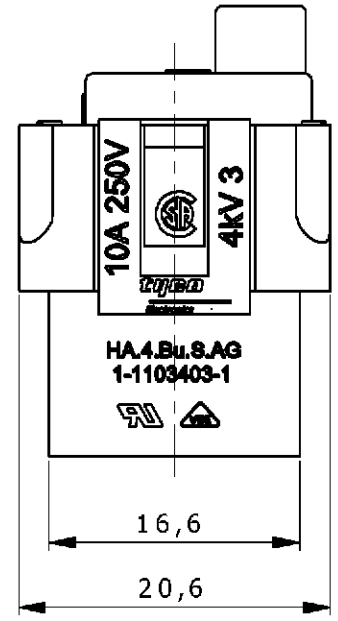
NOTES

- 1 CONTACT: 1 TO 4
SUITABLE SCREW CONTACTS: SERIES HA.3
OUTER DIMENSIONS OF INSULATION: MAX. Ø3,4 MM
- 2 GROUNDING CONTACT:
SUITABLE SCREW CONTACTS: SERIES HA.4
OUTER DIMENSIONS OF INSULATION: MAX. Ø3,4 MM
- 3 SUITABLE HOOD SIZE 1: SERIES HA; HD; EMV AND HIP
- 4 SUITABLE INSERTION AND EXTRACTION TOOL:
SCREWDRIVER 2,0x65
- 5 STANDARDS:
DIN EN 61984; DIN EN 60664-1
- 6 POLARIZATION RIPS
- 7 POS. 8 AND POS.9 PACKED SEPARATE IN POLY BAG
- 8 AUTHORIZATION: UL; CSA; VDE; SEV
- 9 PACKAGING:
10 SETS IN A CARTON, PRE-MOUNTED

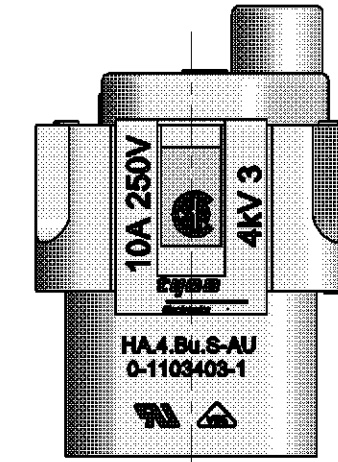
CONTACT ARRANGEMENT
VIEW FROM CONNECTING SIDE



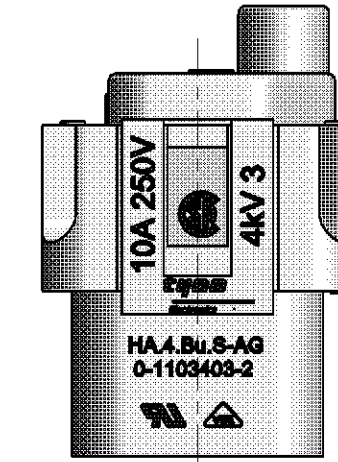
LATERAL PRINT
PN 1-1



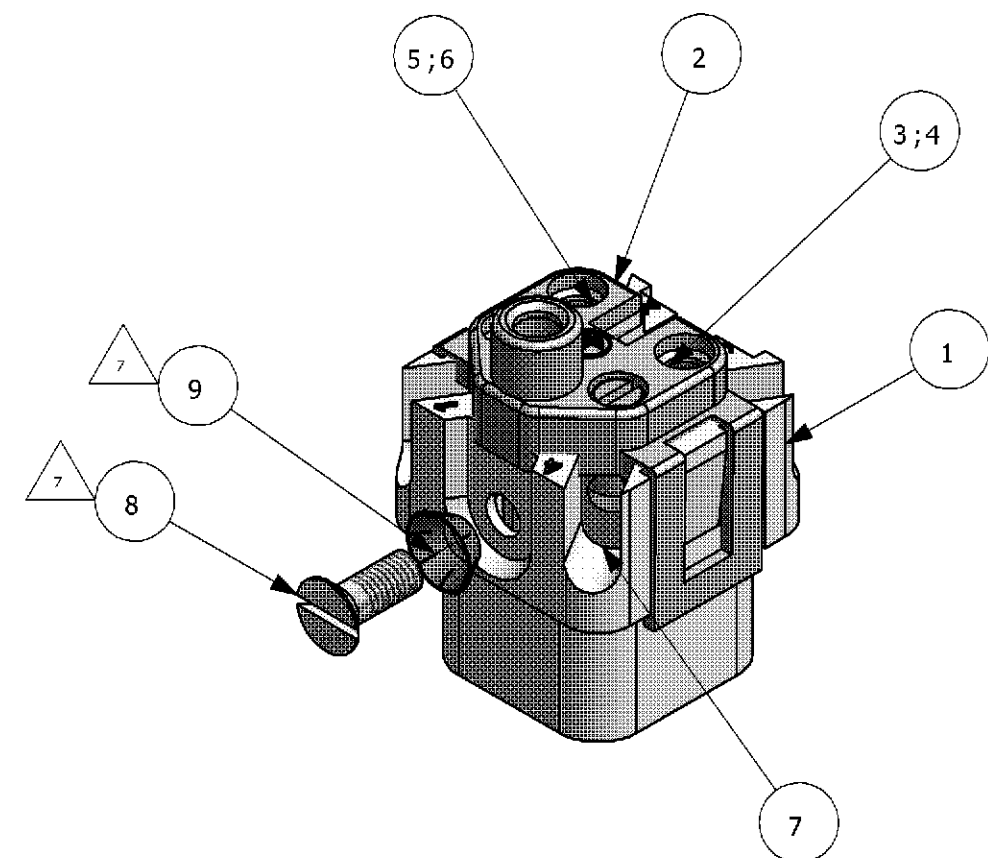
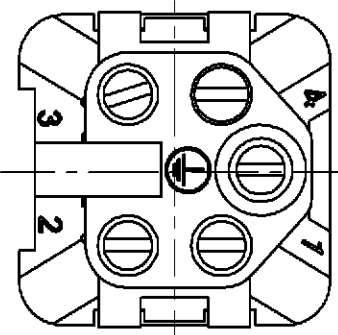
LATERAL PRINT
PN 0-1



LATERAL PRINT
PN 0-2



CONTACT ARRANGEMENT
VIEW FROM TERMINATION SIDE



OBSOLETE

QTY	DESCRIPTION	MATERIAL	COLOR	SURFACE	ITEM	NOTES	
1	1 SPRING WASHER	STEEL		ZINK PLATED	9	V3.2	
1	1 SLOTTED COUNTER FLAT HEAD SCREW	STEEL		ZINK PLATED	8	M3x8	
5	5 SLOTTED CHEESE HEAD SCREW	BRASS		NICKEL PLATED	7	M3x5.5	
1	CONTACT SOCKET	BRASS		GOLD PLATED	6		
1	CONTACT SOCKET	BRASS		SILVER PLATED	5		
4	CONTACT SOCKET	BRASS		GOLD PLATED	4		
4	CONTACT SOCKET	BRASS		SILVER PLATED	3		
1	1 COVER	LEXAN	BEIGE		2		
1	1 MALE INSERT	LEXAN	BEIGE		1		
0-2	0-1 1-1						
		DESCRIPTION	MATERIAL	COLOR	SURFACE	ITEM	NOTES
		HA.4.Bu.S					
		HA.4.Bu.S-Au					
		HA.4.Bu.S					

THIS DRAWING IS A CONTROLLED DOCUMENT FOR AMP INCORPORATED. IT IS SUBJECT TO CHANGE AND THE CONTROLLING ENGINEERING ORGANIZATION SHOULD BE CONTACTED FOR THE LATEST REVISION. DIESSES ZEICHNUNGSOKUMENT WIRD DURCH AMP INCORPORATED KONTROLLIERT. ÄNDERUNGEN, DIE DEM TECHNISCHEN FORTSCHRITT ÜBEREN, SIND VORZUHALTEN. DEN VERLEHRE LETZTQUARTIERÄNDERUNGEN SIND BEZUG NEHMEN SIE AUF ANFANG.

DIMENSIONS:
DIMENSIONEN:
m m

TOLERANCES UNLESS OTHERWISE SPECIFIED:
ALLGEMEIN TOLERANZEN
m. ISO 8013 - m H-E
m. ISO 2768 - m H-E
m. DIN 16981 - 140

0 PLC #
1 PLC #
2 PLC #
3 PLC #
ANGLES / WINKEL #

MATERIAL FINISH / OBERFLÄCHE / FARBE

WEIGHT / GEWICHT 0,0013 KG

DWN H.BRAUN 29.07.1997
CHK KRAMER 29.07.1997
APVD T.SCHNURPFEL 28.03.2006
PRODUCT SPEC. / PRODUKTSPEZ. 108-74008
APPLICATION SPEC. / VERARBEITUNGSSPEZ. 114-74010

NAME FEMALE INSERT
HA.4.BU.S

SIZE A2 CAGE CODE 00779 DRAWING NO. / ZEICHNUNGS-NR. 1103403 RESTRICTED TO NUR FÜR

CUSTOMER DRAWING / KUNDENZEICHNUNG SCALE / MASSSTAB 1:1 SHEET / BLATT 1 OF / VON 1 REV. / C2