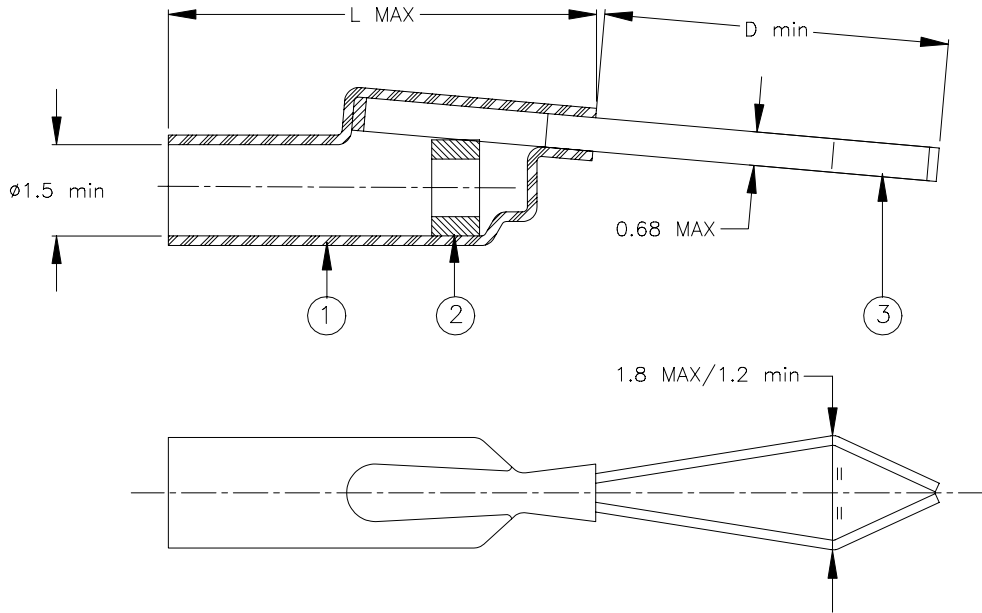


## SPECIFICATION CONTROL DRAWING



Product Name	Rev	AWG	D min	PCB Thickness min	PCB Thickness max	L max
B-801-10	J	20/28	7	3.15	5.60	11.4
B-801-11	L	20/28	5	1.20	3.15	13.4

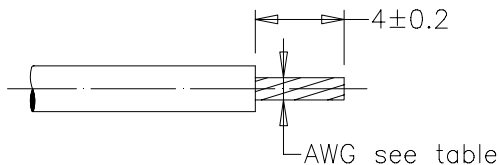
### MATERIAL

1. INSULATION SLEEVE: Heat-shrinkable, radiation cross-linked modified polyvinylidene fluoride. Transparent blue.
2. SOLDER PREFORM WITH FLUX:  
SOLDER: TYPE Sn63 per ANSI J-STD-006.  
FLUX: TYPE ROL1 per ANSI J-STD-004.
3. PIN: Phosphor bronze coated with Sn60 Pb40 solder alloy.

### APPLICATION

1. These controlled soldering devices are designed to stay in position prior to soldering and to facilitate the strain-relieved termination of stranded wire to printed circuit boards with 1mm diameter holes. They will terminate the tin or silver plated copper conductor having an insulation rated for at least +125°C. Pre-tinning is required.
2. Temperature range: -55°C to +150°C.

For best results, prepare the wire as shown:



<b>Raychem</b>		THERMOFIT DEVICES	Raychem Corporation 300 Constitution Drive Menlo Park, CA 94025 USA	TITLE: <b>PINPAK* DEVICE PCB TERMINATION</b>			
UNLESS OTHERWISE SPECIFIED DIMENSIONS ARE IN MILLIMETERS.				DOCUMENT NO.: <b>B-801-10/-11</b>			
TOLERANCES: 0.00 N/A 0.0 N/A 0 N/A	ANGLES: N/A ROUGHNESS IN MICRON	Raychem reserves the right to amend this drawing at any time. Users should evaluate the suitability of the product for their application.		DCR NUMBER: D990181	REPLACES: D981698		
DRAWN BY: M. FORONDA	DATE: 03/22/99	REV.: SEE TABLE	DOC ISSUE: 3	SCALE: NONE	SIZE: A	SHEET: 1 of 1	

If this document is printed it becomes uncontrolled. Check for the latest revision.

# SPECIFICATION CONTROL DRAWING

\*A trademark of Raychem Corporation.

<b>Raychem</b>		THERMOFIT DEVICES	Raychem Corporation 300 Constitution Drive Menlo Park, CA 94025 USA	TITLE: <b>PINPAK* DEVICE PCB TERMINATION</b>			
UNLESS OTHERWISE SPECIFIED DIMENSIONS ARE IN MILLIMETERS.				DOCUMENT NO.: <b>B-801-10/-11</b>			
TOLERANCES: 0.00 N/A 0.0 N/A 0 N/A	ANGLES: N/A  ROUGHNESS IN MICRON	Raychem reserves the right to amend this drawing at any time. Users should evaluate the suitability of the product for their application.		DCR NUMBER: D990181		REPLACES: D981698	
DRAWN BY: M. FORONDA	DATE: 03/22/99	REV.: SEE TABLE	DOC ISSUE: 3	SCALE: NONE	SIZE: A	SHEET: 1 of 1	

If this document is printed it becomes uncontrolled. Check for the latest revision.