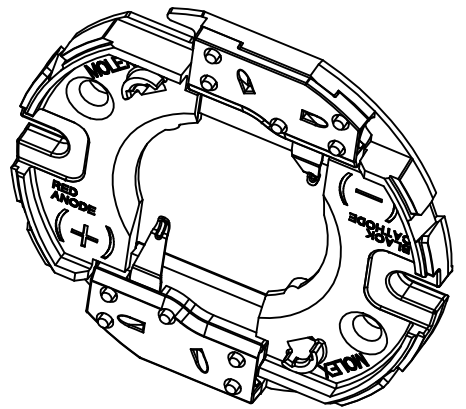
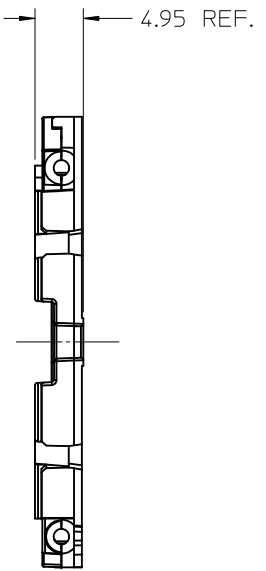
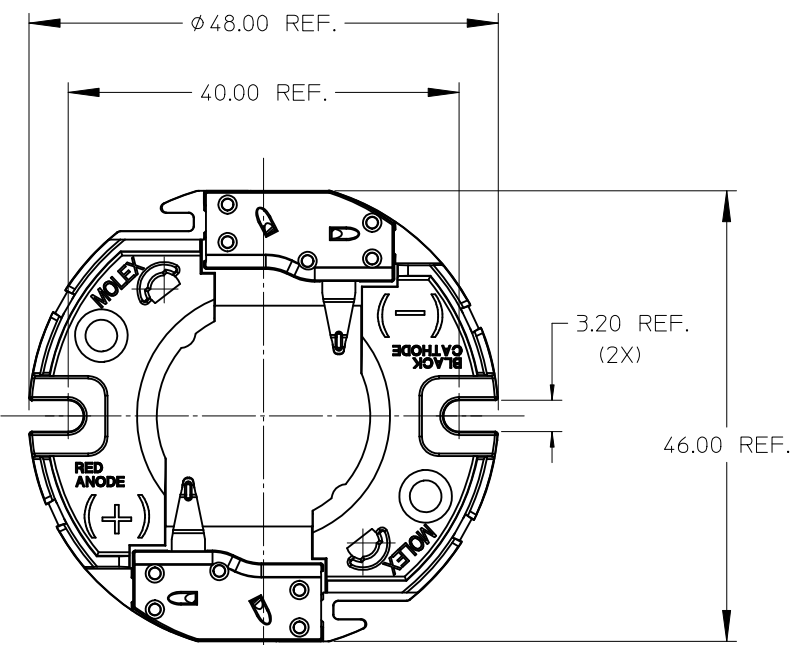
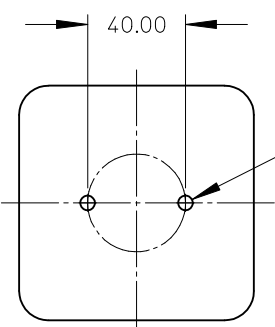


PART NUMBER	DESCRIPTION	SEE SHEET
180220-0000	HOLDER WITHOUT LENS	3
180220-0001	HOLDER WITH LENS	3
180222-0000	COVER LENS ONLY	3



- NOTES:
- MATERIALS:
 - CAPS: NATURAL COLOR PA66 NYLON 25% GF UL94V-0
 - HOUSING: NATURAL COLOR PA66 NYLON 25% GF UL94V-0
 - COVER LENS: CLEAR POLYCARBONATE UL94HB
 - WIRE TRAP TERMINALS: COPPER ALLOY
 - FINISH: GOLD OVER NICKEL
 - THIS PRODUCT IS ELV AND ROHS COMPLIANT
 - APPLICABLE WIRE GAUGE - 18 OR 20 AWG
 - SOLID WIRE IS RECOMMENDED
 - IF STRANDED WIRE IS USED, PRE-TINNED IS RECOMMENDED
 - 1 cm STRIP LENGTH IS RECOMMENDED
 - MOUNT HOLDER USING M3 OR 4-40 SCREWS (2), 0.8 NEWTON METERS MAX TORQUE
 - UL RECOGNIZED TO UL496
 - UL RECOGNIZED TO CSA-C22.2 NO. 43 (2008)
 - RATED 600V
 - UL FILE NUMBER: E345583, UL-OLFB2

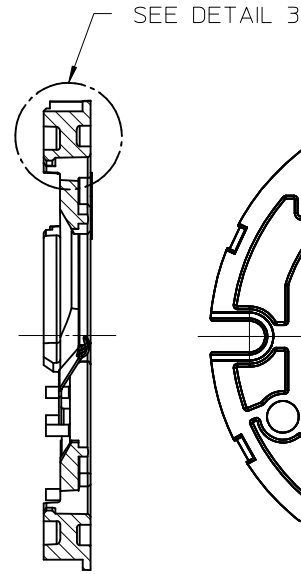
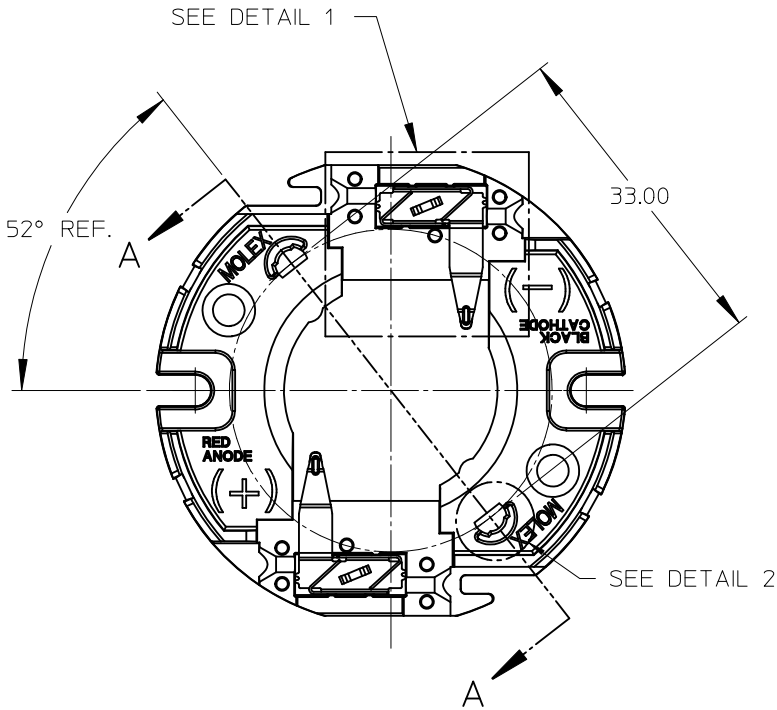


M3 OR 4-40 TAPPED HOLES (2)
TORQUE SCREWS 0.8 NEWTON METERS MAX

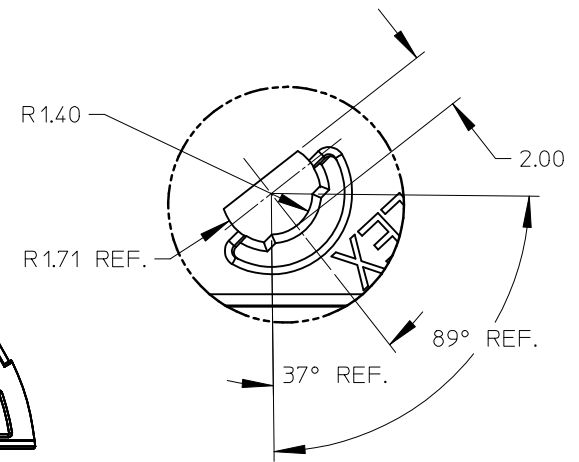
RECOMMENDED MOUNTING DIMENSIONS (NTS)

ENTER DESCRIPTION EC NO: SSL2012-0008 DRAWN BY: JAKLIC 2011/08/02 CHKD: JAKLIC APPR: DMCGOWAN 2011/08/05 REV: D1	QUALITY SYMBOLS $\nabla=0$ $\nabla=0$ $\nabla=0$	GENERAL TOLERANCES (UNLESS SPECIFIED)		DIMENSION STYLE MM ONLY		SCALE 2:1	DESIGN UNITS METRIC	THIRD ANGLE PROJECTION			
		4 PLACES ± --- ± ---	mm INCH	DRAWN BY FJAKLIC	DATE 2011/01/26	TITLE CREE CXA20 LED HOLDER					
		3 PLACES ± --- ± ---		CHECKED BY	DATE	MATERIAL NO. DMCGOWAN 2011/02/18					
		2 PLACES ± 0.13 ± ---		APPROVED BY DMCGOWAN		DATE 2011/02/18	MOLEX INCORPORATED		DOCUMENT NO. SD-180220-001		
1 PLACE ± 0.25 ± ---		ANGULAR ± 1/2°		SEE CHART		SHEET NO. 1 OF 3		DRAFT WHERE APPLICABLE MUST REMAIN WITHIN DIMENSIONS			
THIS DRAWING CONTAINS INFORMATION THAT IS PROPRIETARY TO MOLEX INCORPORATED AND SHOULD NOT BE USED WITHOUT WRITTEN PERMISSION											

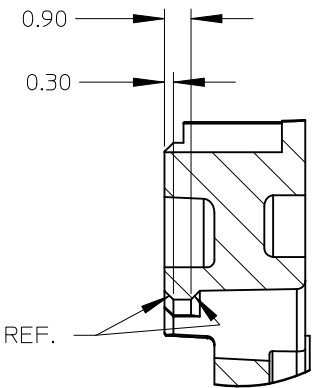
WIRE TRAP CAPS ARE REMOVED FROM FRONT VIEW FOR CLARITY



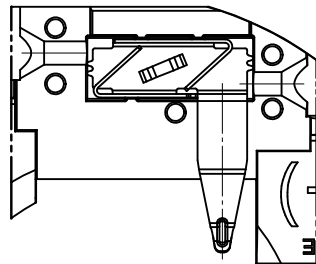
SECTION A-A



DETAIL 2 SCALE 6:1



LENS TO HOLDER SNAP FIT DETAIL
DETAIL 3 SCALE 6:1



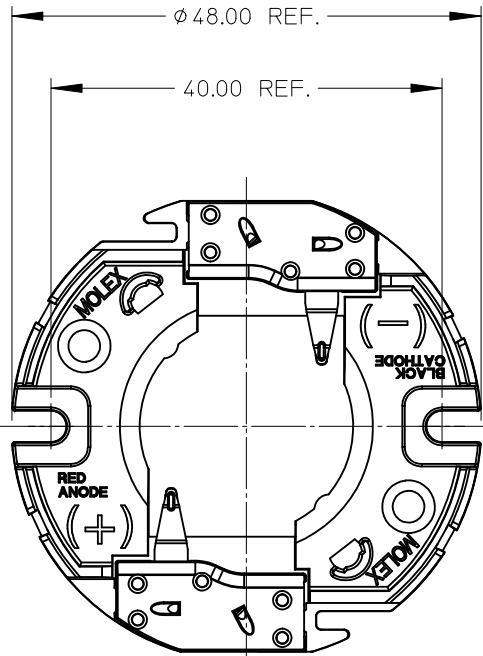
VIEW OF TWO-WAY WIRE TRAP

WIRE TRAPS WILL ACCOMODATE
EITHER 18 OR 20 GAUGE WIRE

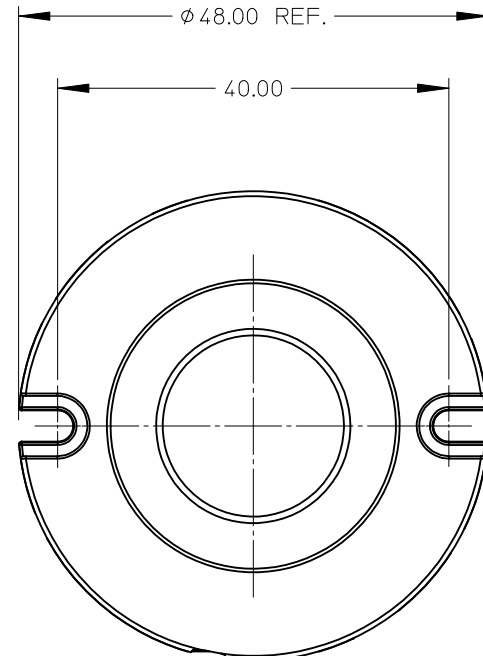
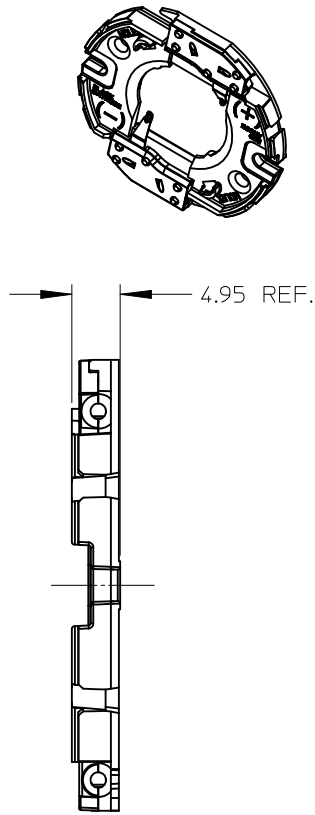
DETAIL 1 SCALE 3:1

ENTER DESCRIPTION EC NO: SSL2012-0008 /DRAWN: JAKLIC 2011/08/02 CHKD: JAKLIC APPR: DMCGOWAN 2011/08/05 D1	QUALITY SYMBOLS ▽/0 ▽/0 ▽/0	GENERAL TOLERANCES (UNLESS SPECIFIED)		DIMENSION STYLE MM ONLY		SCALE 2:1	DESIGN UNITS METRIC	THIRD ANGLE PROJECTION		
		4 PLACES	± ---	± ---	DRAWN BY	DATE	TITLE CREE CXA20 LED HOLDER			
		3 PLACES	± ---	± ---	FJAKLIC	2011/01/26				
		2 PLACES	± 0.13	± ---	CHECKED BY	DATE	APPROVED BY DMCGOWAN 2011/02/18			
1 PLACE	± 0.25	± ---	MATERIAL NO.	DATE						
ANGULAR ±1/2°		DRAFT WHERE APPLICABLE MUST REMAIN WITHIN DIMENSIONS		SEE CHART		DOCUMENT NO. SD-180220-001	SHEET NO. 2 OF 3			
THIS DRAWING CONTAINS INFORMATION THAT IS PROPRIETARY TO MOLEX INCORPORATED AND SHOULD NOT BE USED WITHOUT WRITTEN PERMISSION										

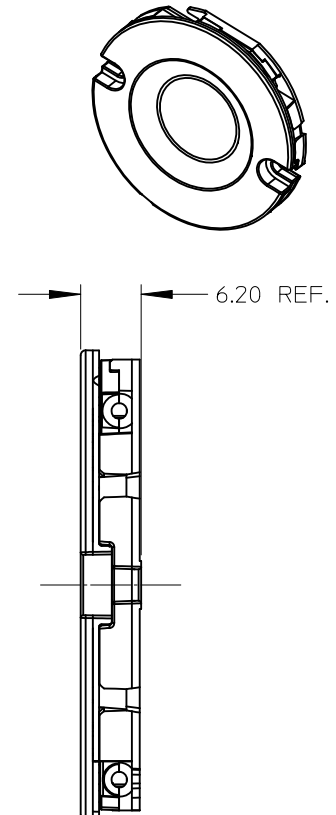
10 9 8 7 6 5 4 3 2 1



LED HOLDER PART NUMBER 180220-0000



LED HOLDER SHOWN WITH OPTIONAL CLEAR COVER LENS
MOLEX INDIVIDUAL COVER LENS PART NUMBER IS 180222-0000



ENTER DESCRIPTION EC NO: SSL2012-0008 /DRAWN: FJAKLIC 2011/08/02 CHKD: APPR: DMCGOWAN 2011/08/05 D1	QUALITY SYMBOLS ▽/0 ▽/0 ▽/0	GENERAL TOLERANCES (UNLESS SPECIFIED)		DIMENSION STYLE MM ONLY		SCALE 2:1	DESIGN UNITS METRIC	THIRD ANGLE PROJECTION			
		4 PLACES ± --- ± ---	mm INCH	DRAWN BY FJAKLIC	DATE 2011/01/26	TITLE CREE CXA20 LED HOLDER					
		3 PLACES ± --- ± ---	2 PLACES ± 0.13 ± ---	CHECKED BY	DATE						
		1 PLACE ± 0.25 ± ---	ANGULAR ± 1/2°	APPROVED BY DMCGOWAN	DATE 2011/02/18	MATERIAL NO.	DOCUMENT NO. SD-180220-001	SHEET NO. 3 OF 3			
DRAFT WHERE APPLICABLE MUST REMAIN WITHIN DIMENSIONS				SEE CHART		THIS DRAWING CONTAINS INFORMATION THAT IS PROPRIETARY TO MOLEX INCORPORATED AND SHOULD NOT BE USED WITHOUT WRITTEN PERMISSION					

9 8 7 6 5 4 3 2 1