

4

3

2

1

THIS DRAWING IS UNPUBLISHED.

RELEASED FOR PUBLICATION

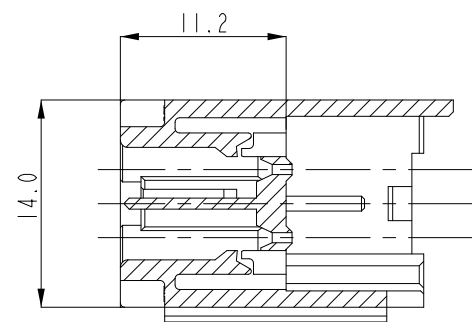
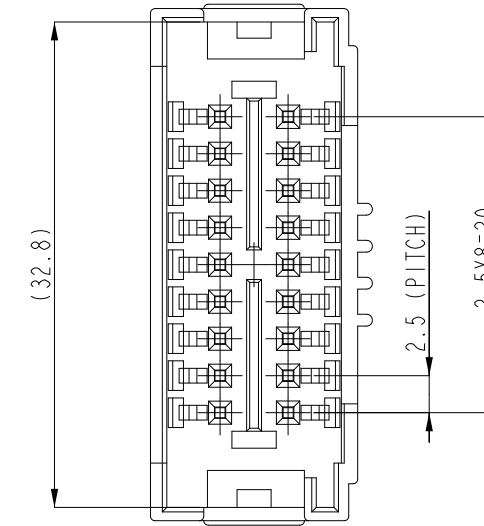
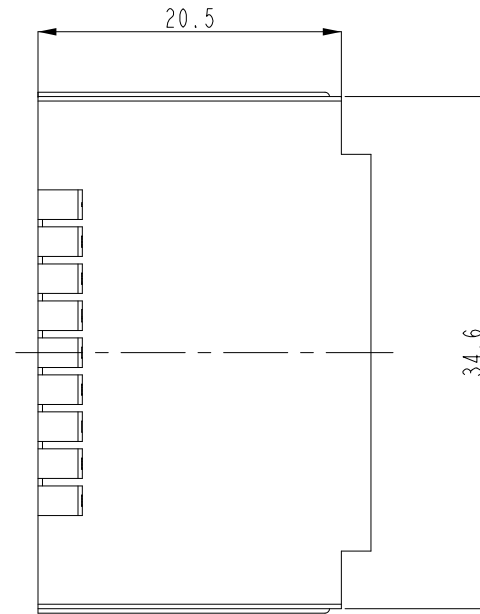
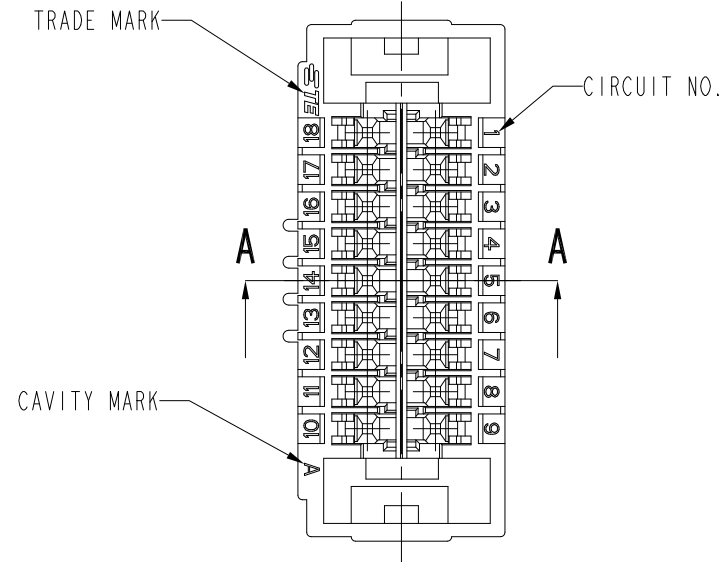
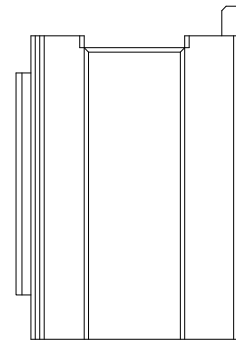
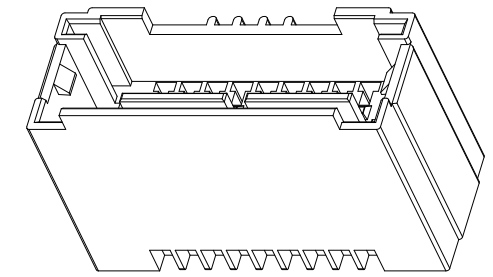
20

© COPYRIGHT 20

BY -

ALL RIGHTS RESERVED.

LOC	DIST	REVISIONS			
P	LTR	DESCRIPTION	DATE	DWN	APVD
DS	-				
	C	REVISED PER ECR-15-012438	8.OCT'15	SE	BW



SECTION A-A

NOTE

1. GENERAL TOLERANCES: ±0.25
2. MATING HSG P/N:2108504-1
3. APPLIED CONTACT P/N:917764-X,917765-X
4. MATERIAL: PA66 (UL94V-0)

2108505-1	NAT	18
P/N	COLOR	POS

THIS DRAWING IS A CONTROLLED DOCUMENT.		DWN	-		
		CHK	SE JUNG		
		APVD	BH CHO		
		PRODUCT SPEC	BW KANG		
DIMENSIONS: mm		TOLERANCES UNLESS OTHERWISE SPECIFIED:		NAME	
		0 PLC ±-		2.5 SDL 18P CAP HSG 2ROW TYPE	
		1 PLC ±0.5		APPLICATION SPEC	
		2 PLC ±0.13		114-5203	
		3 PLC ±0.013		SIZE	A3
		4 PLC ±0.0001		CAGE CODE	00779
		ANGLES ±-		DRAWING NO	2108505
MATERIAL SEE NOTE		FINISH		RESTRICTED TO	-
		CUSTOMER DRAWING		SCALE	2:1
				SHEET	1 OF 1
				REV	C