

DO NOT SCALE FROM THIS PRINT

DESIGNED & DIMENSIONED IN MILLIMETERS [INCHES]

T1M-XX-X-SV-L-X

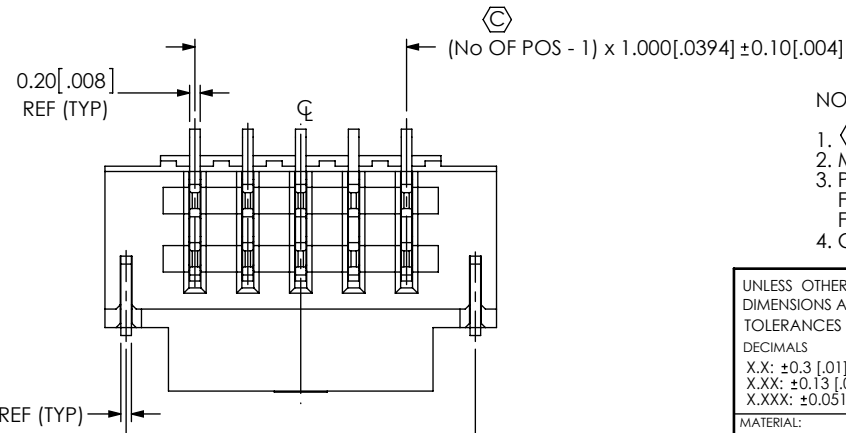
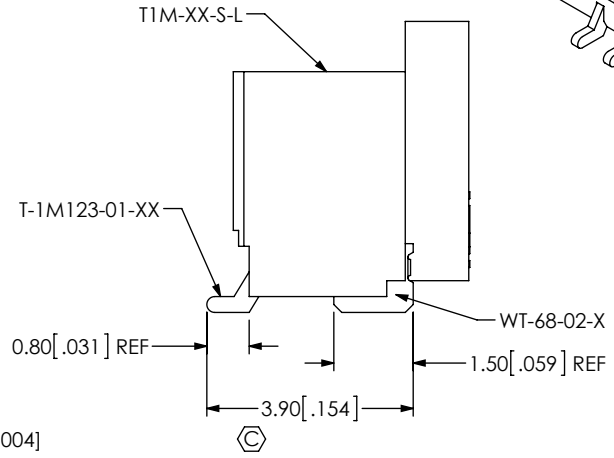
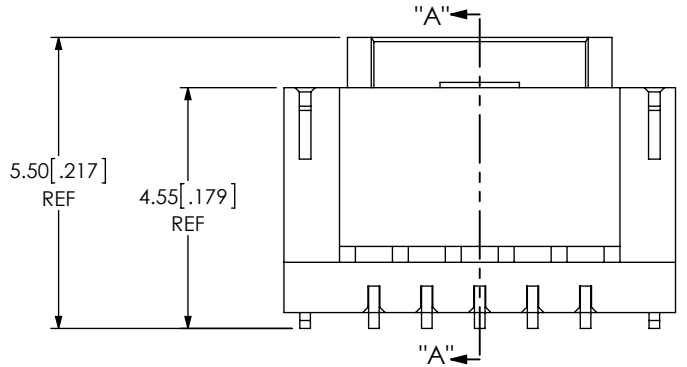
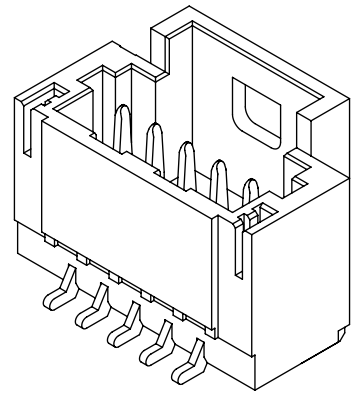
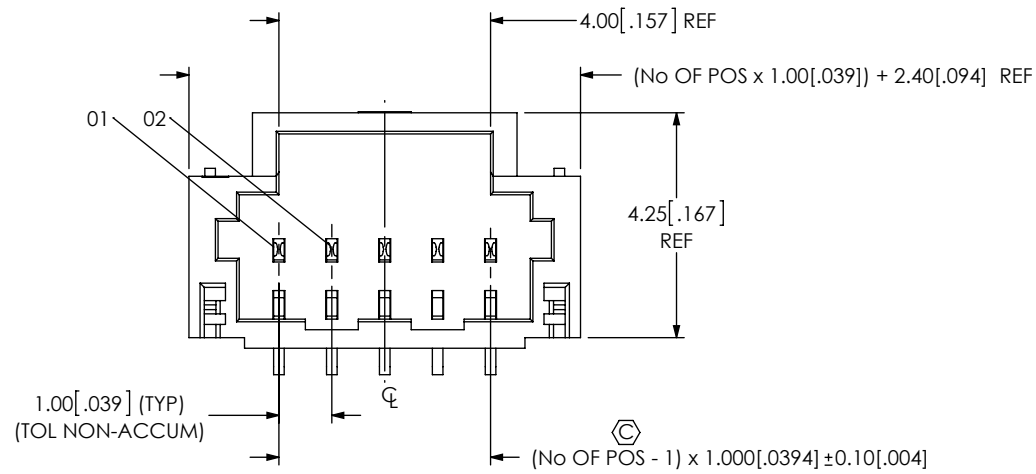
No OF POSITIONS
-02 THRU -20

PLATING SPECIFICATION
-T: MATTE TIN CONTACT AND TAIL
-F: 3μ" GOLD ON CONTACT, MATTE TIN ON TAIL

ROW SPECIFICATION
-SV: SINGLE ROW, VERTICAL

OPTION
-P: PICK & PAD (SEE FIG 2, SHT 2)

LATCH



NOTES:

1. Ⓢ REPRESENTS A CRITICAL DIMENSION.
2. MINIMUM PUSHOUT FORCE: SIGNAL: 2.22N [.5 LB], WELD TAB: 4.90N [1 LB].
3. PARTS TO BE PACKAGED IN TAPE AND REEL. FOR QUANTITIES UP TO 49 PIECES, NO LEADER, TRAILER, OR REEL WILL BE SUPPLIED. FOR QUANTITIES OF 50-124 PIECES, NO LEADER OR TRAILER WILL BE SUPPLIED.
4. COPLANARITY MEASUREMENT INCLUDES WT'S.

(No OF POS - 1) x 1.000 [.0394] + 2.600 [.1024] ± 0.10 [.004]

FIG 1
T1M-05-X-SV-L SHOWN

<p>UNLESS OTHERWISE SPECIFIED, DIMENSIONS ARE IN MILLIMETERS. TOLERANCES ARE: DECIMALS ANGLES X.X: ±0.3 [.01] 2° X.XX: ±0.13 [.005] X.XXX: ±0.051 [.0020]</p>	<p>PROPRIETARY NOTE THIS DOCUMENT CONTAINS CONFIDENTIAL AND PROPRIETARY INFORMATION AND ALL DESIGN, MANUFACTURING, REPRODUCTION, USE, PATENT RIGHTS AND SALES RIGHTS ARE EXPRESSLY RESERVED BY SAMTEC, INC. THIS DOCUMENT SHALL NOT BE DISCLOSED, IN WHOLE OR PART, TO ANY UNAUTHORIZED PERSON OR ENTITY NOR REPRODUCED, TRANSFERRED OR INCORPORATED IN ANY OTHER PROJECT IN ANY MANNER WITHOUT THE EXPRESS WRITTEN CONSENT OF SAMTEC, INC.</p>	<p>samtec 520 PARK EAST BLVD., NEW ALBANY, IN 47150 PHONE: 812-944-6733 FAX: 812-948-5047 e-Mail: info@SAMTEC.com code 53322</p>
<p>MATERIAL: DO NOT SCALE DRAWING SHEET SCALE: 7:1 INSULATOR: LCP, UL 94 V-0, COLOR: NATURAL TERMINAL: PHOS BRONZE WELD TAB: PHOS BRONZE</p>	<p>DESCRIPTION: 1 MM SINGLE ROW DISCRETE WIRE HEADER DWG. NO. T1M-XX-X-SV-L-X</p>	<p>BY: ROY LUO 08/22/2014 SHEET 1 OF 2</p>
<p>F:\DWG\MISC\MKTG\T1M-XX-X-SV-L-X-MKT.SLDDRW</p>		

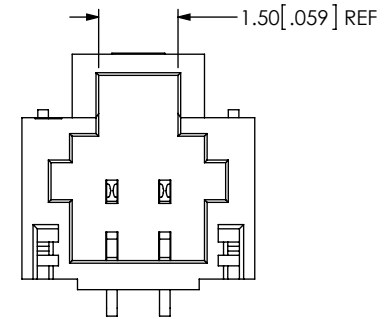
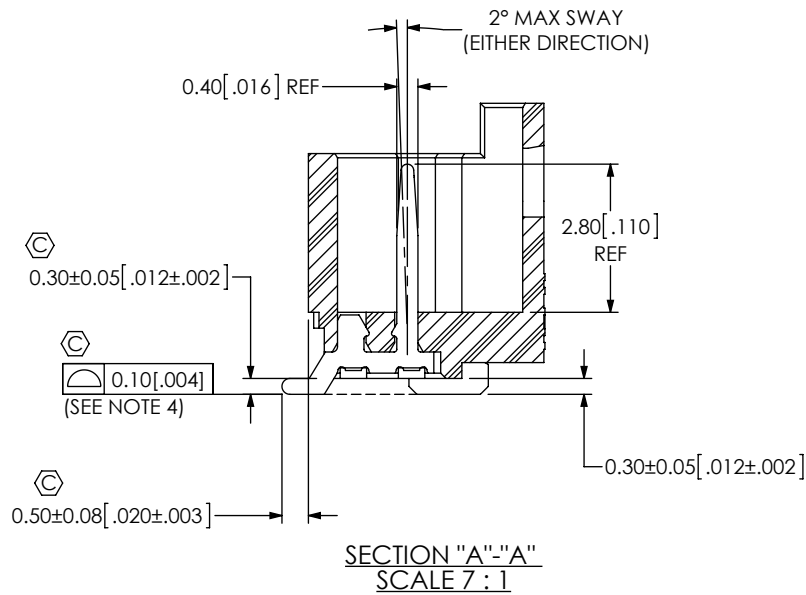


FIG 3
T1M-02-X-SV-L SHOWN
(DIFFERENT AS SHOWN, OTHERWISE SAME AS FIG 1)
(FOR POSITIONS -02 THRU -04)

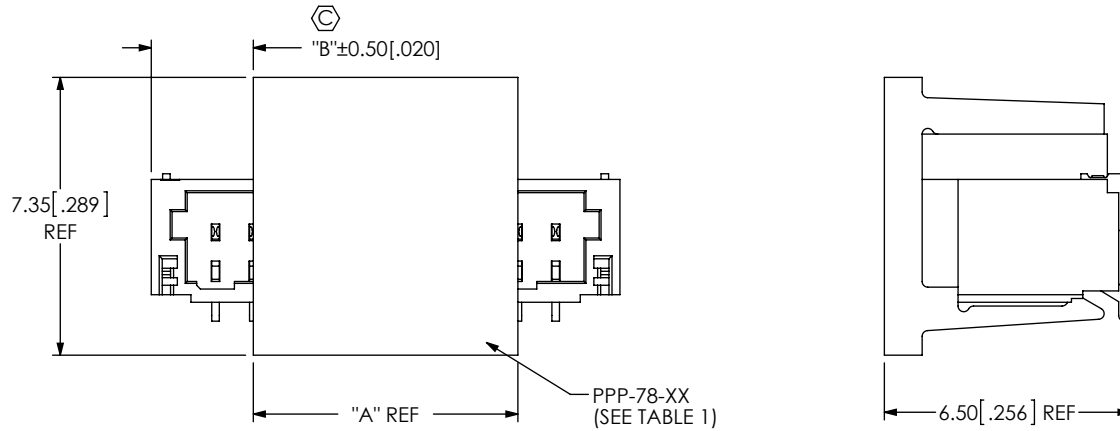


FIG 2
-P: PICK & PAD
(T1M-10-X-SV-L-P SHOWN)

TABLE 1			
No OF POS	"A"	PPP-78-XX	"B"
-02 THRU -04	4.20 [.165]	PPP-78-01	{{(No OF POS x 1.00 [.039]) - 1.80 [.071]}/2
-05 THRU -20	7.00 [.276]	PPP-78-02	{{(No OF POS x 1.00 [.039]) - 4.60 [.181]}/2

PROPRIETARY NOTE
THIS DOCUMENT CONTAINS CONFIDENTIAL AND PROPRIETARY INFORMATION AND ALL DESIGN, MANUFACTURING, REPRODUCTION, USE, PATENT RIGHTS AND SALES RIGHTS ARE EXPRESSLY RESERVED BY SAMTEC, INC. THIS DOCUMENT SHALL NOT BE DISCLOSED, IN WHOLE OR PART, TO ANY UNAUTHORIZED PERSON OR ENTITY NOR REPRODUCED, TRANSFERRED OR INCORPORATED IN ANY OTHER PROJECT IN ANY MANNER WITHOUT THE EXPRESS WRITTEN CONSENT OF SAMTEC, INC.

DO NOT SCALE DRAWING

SHEET SCALE: 5:1



520 PARK EAST BLVD, NEW ALBANY, IN 47150
PHONE: 812-944-6733 FAX: 812-948-5047
e-Mail info@SAMTEC.com code 55322

DESCRIPTION:
1 MM SINGLE ROW DISCRETE WIRE HEADER

DWG. NO.
T1M-XX-X-SV-L-X

BY: ROY LUO 08/22/2014 SHEET 2 OF 2